



Liquid Tight Connectors

Description:

Plasti-Bond REDH₂OT liquid tight connectors are used with liquid tight conduit to wire motors, transformers, processing equipment, pumps, etc. The flexible conduit and the PVC coated connector work together to seal out water and other corrosive liquids, protecting the conductors from damage.

Features:

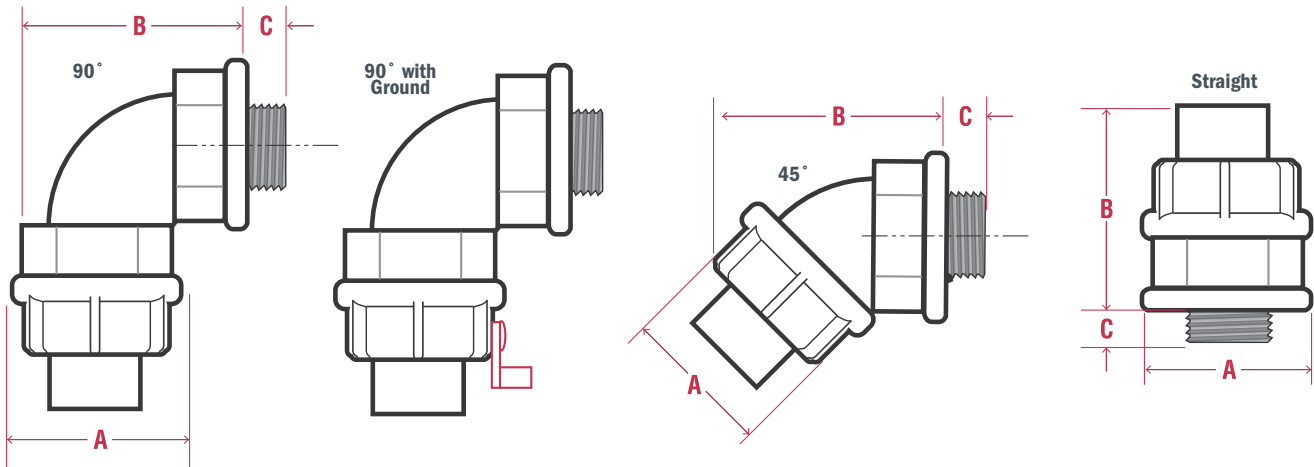
- 40 mil gray PVC exterior coating
- 2 mil red urethane interior coating
- 13 trade sizes from 3/8" through 6"
- Sealing sleeves on all conduit openings
- Available in straight, 45° or 90° body configurations
- Available with an external grounding lug

Standards:

Steel Fittings Only

- UL 514B (E200413), UL 467 (E217890)

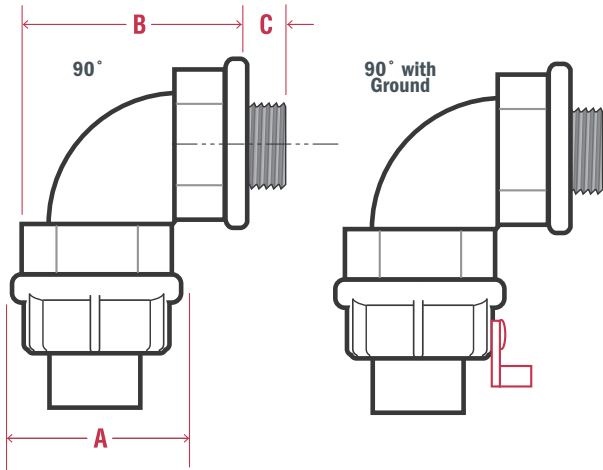
LIQUID TIGHT CONNECTORS CONFIGURATIONS



Liquid Tight Connectors

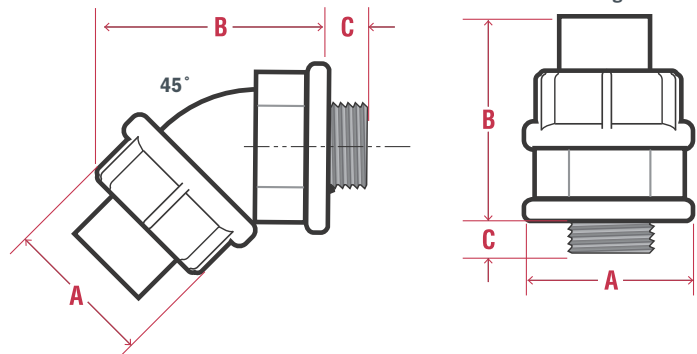
STRAIGHT CONNECTOR

PIPE SIZE	FERROUS CATALOG #	A	B	C	NOMINAL WEIGHT	ALUMINUM CATALOG #
3/8"	PR5331	1.24	1.50	0.56	0.2	PR5231AL
1/2"	PR5332	1.46	1.56	0.56	0.2	PR5232AL
3/4"	PR5333	1.74	1.63	0.56	0.3	PR5233AL
1"	PR5334	1.96	2.06	0.75	0.4	PR5234AL
1-1/4"	PR5335	2.36	2.50	0.81	0.8	PR5235AL
1-1/2"	PR5336	2.80	2.69	0.81	0.9	PR5236AL
2"	PR5337	3.33	3.06	0.88	1.7	PR5237AL
2-1/2"	PR5338	3.83	4.13	1.00	3.0	PR5238AL
3"	PR5339	4.58	4.25	1.00	4.2	PR5239AL
4"	PR5340	5.58	4.50	1.13	6.2	PR5240AL



STRAIGHT CONNECTOR WITH GROUND

PIPE SIZE	FERROUS CATALOG #	A	B	C	GROUND WIRE	NOMINAL WEIGHT	ALUMINUM CATALOG #
3/8"	PR5331GR	1.24	1.50	0.56	14-8	0.2	PR5231GRAL
1/2"	PR5332GR	1.46	1.56	0.56	14-8	0.2	PR5232GRAL
3/4"	PR5333GR	1.74	1.63	0.56	14-4	0.3	PR5233GRAL
1"	PR5334GR	1.96	2.06	0.75	14-4	0.4	PR5234GRAL
1-1/4"	PR5335GR	2.33	2.50	0.81	8/2/04	0.8	PR5235GRAL
1-1/2"	PR5336GR	3.33	2.69	0.81	4/3/04	0.9	PR5236GRAL
2"	PR5337GR	3.89	3.06	0.88	4/3/04	1.7	PR5237GRAL
2-1/2"	PR5338GR	4.52	4.13	1.00	2/5/04	3.0	PR5238GRAL
3"	PR5339GR	5.27	4.25	1.00	2/5/04	4.2	PR5239GRAL
4"	PR5340GR	6.21	4.50	1.13	2/5/04	6.2	PR5240GRAL



45° CONNECTOR

PIPE SIZE	FERROUS CATALOG #	A	B	C	NOMINAL WEIGHT
3/8"	PR5341	1.24	1.56	0.56	0.3
1/2"	PR5342	1.46	1.88	0.56	0.3
3/4"	PR5343	1.74	2.13	0.56	0.4
1"	PR5344	1.96	2.25	0.75	0.5
1-1/4"	PR5345	2.36	2.75	0.81	1.5
1-1/2"	PR5346	2.80	3.38	0.81	1.2
2"	PR5347	3.33	3.88	0.88	2.0
2-1/2"	PR5348	3.83	4.25	1.00	3.0
3"	PR5349	4.58	4.25	1.00	4.2
4"	PR5350	5.58	4.63	1.13	6.2

45° CONNECTOR WITH GROUND

PIPE SIZE	FERROUS CATALOG #	A	B	C	GROUND WIRE	NOMINAL WEIGHT
3/8"	PR5341GR	1.24	1.56	0.56	14-8	0.3
1/2"	PR5342GR	1.46	1.88	0.56	14-8	0.3
3/4"	PR5343GR	1.74	2.13	0.56	14-4	0.4
1"	PR5344GR	1.96	2.25	0.75	14-4	0.5
1-1/4"	PR5345GR	2.33	2.75	0.81	4/3/04	1.5
1-1/2"	PR5346GR	3.33	3.38	0.81	4/3/04	1.2
2"	PR5347GR	3.89	3.88	0.88	4/3/04	2.0
2-1/2"	PR5348GR	4.52	4.25	1.00	2/5/04	3.0
3"	PR5349GR	5.27	4.25	1.00	2/5/04	4.2
4"	PR5350GR	6.21	4.63	1.13	2/5/04	6.2

90° CONNECTOR

PIPE SIZE	FERROUS CATALOG #	A	B	C	NOMINAL WEIGHT	ALUMINUM CATALOG #
3/8"	PR5351	1.24	1.38	0.56	0.3	PR5251AL
1/2"	PR5352	1.46	1.56	0.56	0.3	PR5252AL
3/4"	PR5353	1.74	1.75	0.56	0.4	PR5253AL
1"	PR5354	1.96	2.19	0.75	0.6	PR5254AL
1-1/4"	PR5355	2.36	2.75	0.81	1.0	PR5255AL
1-1/2"	PR5356	2.80	2.94	0.81	1.7	PR5256AL
2"	PR5357	3.33	3.44	0.88	2.7	PR5257AL
2-1/2"	PR5358	3.83	8.88	1.00	3.8	-
3"	PR5359	4.58	10.25	1.00	4.2	-
4"	PR5360	5.58	12.63	1.13	6.2	-

90° CONNECTOR WITH GROUND

PIPE SIZE	FERROUS CATALOG #	A	B	C	GROUND WIRE	NOMINAL WEIGHT	ALUMINUM CATALOG #
3/8"	PR5351GR	1.24	1.25	0.56	14-8	0.3	PR5251GRAL
1/2"	PR5352GR	1.46	1.44	0.56	14-8	0.3	PR5252GRAL
3/4"	PR5353GR	1.74	1.81	0.56	14-4	0.4	PR5253GRAL
1"	PR5354GR	1.96	2.06	0.75	14-4	0.6	PR5254GRAL
1-1/4"	PR5355GR	2.33	2.50	0.81	8/2/04	1.0	PR5255GRAL
1-1/2"	PR5356GR	3.33	2.94	0.81	4/3/04	1.7	PR5256GRAL
2"	PR5357GR	3.89	3.44	0.88	4/3/04	2.7	PR5257GRAL
2-1/2"	PR5358GR	4.52	8.88	1.00	2/5/04	3.8	-
3"	PR5359GR	5.27	10.25	1.00	2/5/04	4.2	-
4"	PR5360GR	6.21	12.63	1.13	2/5/04	6.2	-



Contact us:
customerservice@plastibond.com



Visit www.plastibond.com
For more information