

PVC Coated ST Style Knockout Hub

Catalog Number: PRST3
UPC: 784011207381

Description

1 Inch ST Knockout Hub

PVC coated ST knockout hubs are used to terminate conduit runs through the wall of a sheet metal electrical enclosure.

Application

- Used to terminate conduit runs through the wall of a sheet metal electrical enclosure
- Used to terminate conduit runs through the wall of a sheet metal electrical enclosure

Features

- 40 mil gray PVC exterior coating
- 2 mil red urethane interior coating
- Available in 12 trade sizes from 1/2" through 6"
- Sealing sleeves on conduit side of hub
- Molded PVC gasket seals flush with enclosure wall
- O-ring gasket provides additional seal

General

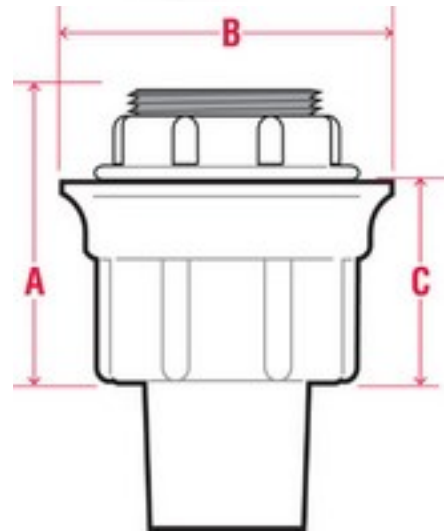
| | |
|------------------|---|
| Material: | FERROUS METAL |
| Exterior Finish: | A nominal .040 inch (40 mil) gray PVC coating |
| Interior Finish: | A nominal .002 inch (2 mil) red urethane |
| Seal Type: | O-ring gasket |
| Grounding Lug: | Available on STG |

Dimensions

| | |
|-----------------------------|------|
| Dimension A (Inches) | 1.66 |
| Dimension B (Inches) | 2.5 |
| Dimension C (Inches) | 1.03 |
| Max Wall Thickness (Inches) | .25 |
| Nominal Weight (Pounds) | 0.4 |

Technical / Specification Documents

| | |
|-----------------------------------|----------------------|
| Specification Guide (1995 Master) | AVAILABLE ON WEBSITE |
| Specification Guide (2004 Master) | AVAILABLE ON WEBSITE |
| Installer Certification and Tools | AVAILABLE ON WEBSITE |
| Chemical Resistance Charts | AVAILABLE ON WEBSITE |
| Performance Specifications | AVAILABLE ON WEBSITE |





PVC Coated ST Style Knockout Hub

Catalog Number: PRST3
UPC: 784011207381

Standards

| | |
|----------|---------------------------|
| UL 514B: | E200413 |
| NEC/CEC: | Class I, Division 2 |
| NEC/CEC: | Class II, Division 1 & 2 |
| NEC/CEC: | Class III, Division 1 & 2 |

Notes

All Screw-tight Hubs are listed for NEMA and UL type enclosures 2, 3, 3R, 4, 4x, 11 and 12

Grounding and Bonding Hubs are listed for NEMA Enclosures 2, 3, 3R, 4 and



PVC Coated ST Style Knockout Hub

Catalog Number: PRST3
UPC: 784011207381

Description

1 Inch ST Knockout Hub

PVC coated ST knockout hubs are used to terminate conduit runs through the wall of a sheet metal electrical enclosure.

Application

- Used to terminate conduit runs through the wall of a sheet metal electrical enclosure
- Used to terminate conduit runs through the wall of a sheet metal electrical enclosure

Features

- 40 mil gray PVC exterior coating
- 2 mil red urethane interior coating
- Available in 12 trade sizes from 1/2" through 6"
- Sealing sleeves on conduit side of hub
- Molded PVC gasket seals flush with enclosure wall
- O-ring gasket provides additional seal

General

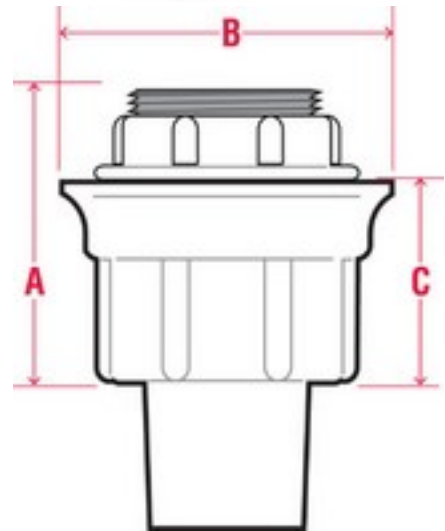
| | |
|------------------|---|
| Material: | FERROUS METAL |
| Exterior Finish: | A nominal .040 inch (40 mil) gray PVC coating |
| Interior Finish: | A nominal .002 inch (2 mil) red urethane |
| Seal Type: | O-ring gasket |
| Grounding Lug: | Available on STG |

Dimensions

| | |
|-----------------------------|------|
| Dimension A (Inches) | 1.66 |
| Dimension B (Inches) | 2.5 |
| Dimension C (Inches) | 1.03 |
| Max Wall Thickness (Inches) | .25 |
| Nominal Weight (Pounds) | 0.4 |

Technical / Specification Documents

| | |
|-----------------------------------|----------------------|
| Specification Guide (1995 Master) | AVAILABLE ON WEBSITE |
| Specification Guide (2004 Master) | AVAILABLE ON WEBSITE |
| Installer Certification and Tools | AVAILABLE ON WEBSITE |
| Chemical Resistance Charts | AVAILABLE ON WEBSITE |
| Performance Specifications | AVAILABLE ON WEBSITE |





PVC Coated ST Style Knockout Hub

Catalog Number: PRST3
UPC: 784011207381

Standards

| | |
|----------|---------------------------|
| UL 514B: | E200413 |
| NEC/CEC: | Class I, Division 2 |
| NEC/CEC: | Class II, Division 1 & 2 |
| NEC/CEC: | Class III, Division 1 & 2 |

Notes

All Screw-tight Hubs are listed for NEMA and UL type enclosures 2, 3, 3R, 4, 4x, 11 and 12

Grounding and Bonding Hubs are listed for NEMA Enclosures 2, 3, 3R, 4 and

