

F7 F8 M9 Conduit Bodies

Catalog Number: PRT27
UPC: 784011204182

Description

3/4 Inch Form 7 T Conduit Body

PVC coated Form 7 conduit bodies with covers are offered in numerous configurations to provide a complete coated conduit system. Electrical continuity of the conduit system is maintained across assembled joints.

Application

- Offered in numerous configurations for 90 degree bends, taps or splices or mounting outlets
- Offered in numerous configurations for 90 degree bends, taps or splices or mounting outlets

Features

- 40 mil gray PVC exterior coating
- 2 mil red urethane interior coating
- 10 trade sizes from 1/2" through 4"
- Sealing sleeves on all conduit openings
- Cover uses retained stainless screw and wedge clip design

General

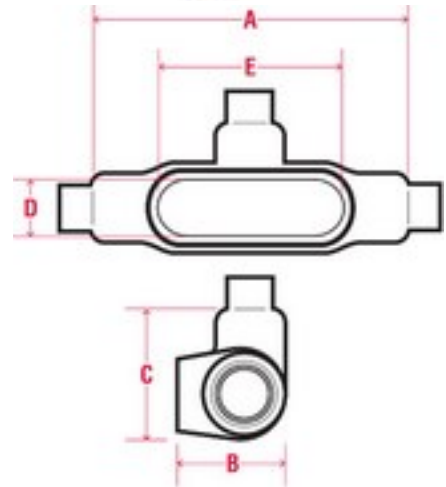
| | |
|------------------|---|
| Material: | FERROUS METAL |
| Exterior Finish: | A nominal .040 inch (40 mil) gray PVC coating |
| Interior Finish: | A nominal .002 inch (2 mil) red urethane |
| Body Style: | T |
| Screw Type: | Self-retaining stainless steel cover screws |

Dimensions

| | |
|-------------------------|------|
| Dimension A (Inches) | 6.25 |
| Dimension B (Inches) | 2.04 |
| Dimension C (Inches) | 2.67 |
| Dimension D (Inches) | 1.13 |
| Dimension E (Inches) | 3.81 |
| Nominal Weight (Pounds) | 2.1 |

Technical / Specification Documents

| | |
|-----------------------------------|----------------------|
| Specification Guide (1995 Master) | AVAILABLE ON WEBSITE |
| Specification Guide (2004 Master) | AVAILABLE ON WEBSITE |
| Installer Certification and Tools | AVAILABLE ON WEBSITE |
| Chemical Resistance Charts | AVAILABLE ON WEBSITE |
| Performance Specifications | AVAILABLE ON WEBSITE |





F7 F8 M9 Conduit Bodies

Catalog Number: PRT27

UPC: 784011204182

Standards

UL 514A, 514D: E231035

CSA Certified: C22.2 No.18

CSA Certified: C22.2 No. 42

Notes

Not available with encapsulated screws.

All cover screws are stainless steel



F7 F8 M9 Conduit Bodies

Catalog Number: PRT27
UPC: 784011204182

Description

3/4 Inch Form 7 T Conduit Body

PVC coated Form 7 conduit bodies with covers are offered in numerous configurations to provide a complete coated conduit system. Electrical continuity of the conduit system is maintained across assembled joints.

Application

- Offered in numerous configurations for 90 degree bends, taps or splices or mounting outlets
- Offered in numerous configurations for 90 degree bends, taps or splices or mounting outlets

Features

- 40 mil gray PVC exterior coating
- 2 mil red urethane interior coating
- 10 trade sizes from 1/2" through 4"
- Sealing sleeves on all conduit openings
- Cover uses retained stainless screw and wedge clip design

General

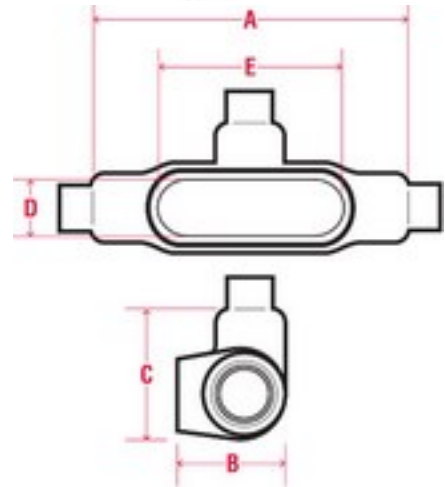
| | |
|------------------|---|
| Material: | FERROUS METAL |
| Exterior Finish: | A nominal .040 inch (40 mil) gray PVC coating |
| Interior Finish: | A nominal .002 inch (2 mil) red urethane |
| Body Style: | T |
| Screw Type: | Self-retaining stainless steel cover screws |

Dimensions

| | |
|-------------------------|------|
| Dimension A (Inches) | 6.25 |
| Dimension B (Inches) | 2.04 |
| Dimension C (Inches) | 2.67 |
| Dimension D (Inches) | 1.13 |
| Dimension E (Inches) | 3.81 |
| Nominal Weight (Pounds) | 2.1 |

Technical / Specification Documents

| | |
|-----------------------------------|----------------------|
| Specification Guide (1995 Master) | AVAILABLE ON WEBSITE |
| Specification Guide (2004 Master) | AVAILABLE ON WEBSITE |
| Installer Certification and Tools | AVAILABLE ON WEBSITE |
| Chemical Resistance Charts | AVAILABLE ON WEBSITE |
| Performance Specifications | AVAILABLE ON WEBSITE |





F7 F8 M9 Conduit Bodies

Catalog Number: PRT27

UPC: 784011204182

Standards

UL 514A, 514D: E231035

CSA Certified: C22.2 No.18

CSA Certified: C22.2 No. 42

Notes

Not available with encapsulated screws.

All cover screws are stainless steel

