

# Conduit Unions



## Conduit Unions

### Description:

Plasti-Bond REDH<sub>2</sub>OT UNF unions are used to connect conduit to conduit or to allow for future changes to the conduit system. Female threads are provided at each end. Plasti-Bond REDH<sub>2</sub>OT UNY unions are used to connect conduit to a conduit fitting, junction box, or device enclosure. One end is a male thread and the other is female.

### Features:

- 40 mil gray PVC exterior coating
- 2 mil red urethane interior coating
- 13 trade sizes from 1/2" through 6"
- Sealing sleeves on all conduit openings
- Molded PVC gasket seals fitting

### Standards:

- UL 1203 (E476062)
- CSA C22.2 No. 30
- NEC/CEC:
  - UNF/UNY 1/2" through 1"
    - Class I, Division 1 & 2, Groups A, B, C, D
    - Class II, Division 1, Groups E, F, G
    - Class II, Division 2, Groups F, G
    - Class III
  - UNF/UNY 905, 1005
    - Class I, Division 1 & 2, Groups B, C, D
    - Class II, Division 1, Groups E, F, G
    - Class II, Division 2, Groups F, G
    - Class III
  - UNF, UNY - all sizes
    - Class I, Division 1 & 2, Groups C, D
    - Class II, Division 1, Groups E, F, G
    - Class II, Division 2, Groups F, G
    - Class III

## Conduit Union Technical Data



### UNF

| PIPE SIZE   | FERROUS CATALOG # | NOMINAL WEIGHT | LENGTH | MAX DIA. | ALUMINUM CATALOG # |
|-------------|-------------------|----------------|--------|----------|--------------------|
| 1/2"        | PRUNF105          | 0.3            | 1.81   | 2.00     | PRUNF105SA         |
| 3/4"        | PRUNF205          | 0.5            | 1.75   | 2.25     | PRUNF205SA         |
| 3/4" - 1/2" | PRUNF215          | 0.6            | 1.75   | 2.25     | -                  |
| 1"          | PRUNF305          | 0.7            | 2.00   | 2.75     | PRUNF305SA         |
| 1-1/4"      | PRUNF405          | 1.5            | 2.25   | 3.00     | PRUNF405SA         |
| 1-1/2"      | PRUNF505          | 2.3            | 2.63   | 3.50     | PRUNF505SA         |
| 2"          | PRUNF605          | 3.6            | 2.56   | 4.50     | PRUNF605SA         |
| 2-1/2"      | PRUNF705          | 5.0            | 3.19   | 4.75     | PRUNF705SA         |
| 3"          | PRUNF805          | 6.5            | 3.44   | 5.50     | PRUNF805SA         |
| 3-1/2"      | PRUNF905          | 8.2            | 4.13   | 6.50     | PRUNF905SA         |
| 4"          | PRUNF1005         | 10.0           | 4.13   | 7.00     | PRUNF1005SA        |
| 5"          | PRUNF012          | 12.5           | 3.81   | 9.00     | -                  |
| 6"          | PRUNF014          | 14.8           | 3.81   | 10.25    | -                  |

### UNY

| PIPE SIZE   | FERROUS CATALOG # | NOMINAL WEIGHT | LENGTH | MAX DIA. | ALUMINUM CATALOG # |
|-------------|-------------------|----------------|--------|----------|--------------------|
| 1/2"        | PRUNY105          | 0.4            | 2.38   | 2.00     | PRUNY105SA         |
| 3/4"        | PRUNY205          | 0.7            | 2.44   | 2.25     | PRUNY205SA         |
| 3/4" - 1/2" | PRUNY215          | 0.8            | 2.44   | 2.25     | -                  |
| 1"          | PRUNY305          | 1.3            | 2.75   | 2.75     | PRUNY305SA         |
| 1-1/4"      | PRUNY405          | 2.6            | 3.19   | 3.00     | PRUNY405SA         |
| 1-1/2"      | PRUNY505          | 3.9            | 3.56   | 3.50     | PRUNY505SA         |
| 2"          | PRUNY605          | 4.2            | 3.75   | 4.50     | PRUNY605SA         |
| 2-1/2"      | PRUNY705          | 5.5            | 4.63   | 4.75     | PRUNY705SA         |
| 3"          | PRUNY805          | 7.5            | 5.00   | 5.50     | PRUNY805SA         |
| 3-1/2"      | PRUNY905          | 8.4            | 5.50   | 6.50     | PRUNY905SA         |
| 4"          | PRUNY1005         | 10.5           | 5.63   | 7.00     | PRUNY1005SA        |
| 5"          | PRUNY012          | 12.0           | 5.25   | 9.00     | -                  |
| 6"          | PRUNY014          | 14.9           | 5.38   | 10.25    | -                  |



Contact us:  
customerservice@plastibond.com



Visit [www.plastibond.com](http://www.plastibond.com)  
For more information

# Conduit Unions



## Conduit Unions

### Description:

Plasti-Bond REDH<sub>2</sub>OT UNF unions are used to connect conduit to conduit or to allow for future changes to the conduit system. Female threads are provided at each end. Plasti-Bond REDH<sub>2</sub>OT UNY unions are used to connect conduit to a conduit fitting, junction box, or device enclosure. One end is a male thread and the other is female.

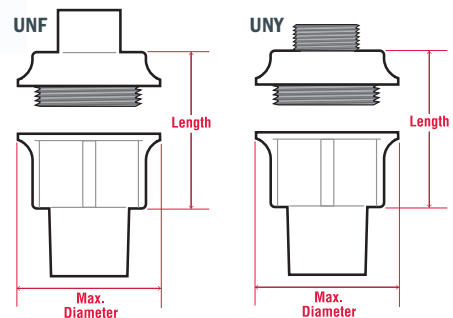
### Features:

- 40 mil gray PVC exterior coating
- 2 mil red urethane interior coating
- 13 trade sizes from 1/2" through 6"
- Sealing sleeves on all conduit openings
- Molded PVC gasket seals fitting

### Standards:

- UL 1203 (E476062)
- CSA C22.2 No. 30
- NEC/CEC:
  - UNF/UNY 1/2" through 1"
    - Class I, Division 1 & 2, Groups A, B, C, D
    - Class II, Division 1, Groups E, F, G
    - Class II, Division 2, Groups F, G
    - Class III
  - UNF/UNY 905, 1005
    - Class I, Division 1 & 2, Groups B, C, D
    - Class II, Division 1, Groups E, F, G
    - Class II, Division 2, Groups F, G
    - Class III
  - UNF, UNY - all sizes
    - Class I, Division 1 & 2, Groups C, D
    - Class II, Division 1, Groups E, F, G
    - Class II, Division 2, Groups F, G
    - Class III

## Conduit Union Technical Data



### UNF

| PIPE SIZE   | FERROUS CATALOG # | NOMINAL WEIGHT | LENGTH | MAX DIA. | ALUMINUM CATALOG # |
|-------------|-------------------|----------------|--------|----------|--------------------|
| 1/2"        | PRUNF105          | 0.3            | 1.81   | 2.00     | PRUNF105SA         |
| 3/4"        | PRUNF205          | 0.5            | 1.75   | 2.25     | PRUNF205SA         |
| 3/4" - 1/2" | PRUNF215          | 0.6            | 1.75   | 2.25     | -                  |
| 1"          | PRUNF305          | 0.7            | 2.00   | 2.75     | PRUNF305SA         |
| 1-1/4"      | PRUNF405          | 1.5            | 2.25   | 3.00     | PRUNF405SA         |
| 1-1/2"      | PRUNF505          | 2.3            | 2.63   | 3.50     | PRUNF505SA         |
| 2"          | PRUNF605          | 3.6            | 2.56   | 4.50     | PRUNF605SA         |
| 2-1/2"      | PRUNF705          | 5.0            | 3.19   | 4.75     | PRUNF705SA         |
| 3"          | PRUNF805          | 6.5            | 3.44   | 5.50     | PRUNF805SA         |
| 3-1/2"      | PRUNF905          | 8.2            | 4.13   | 6.50     | PRUNF905SA         |
| 4"          | PRUNF1005         | 10.0           | 4.13   | 7.00     | PRUNF1005SA        |
| 5"          | PRUNF012          | 12.5           | 3.81   | 9.00     | -                  |
| 6"          | PRUNF014          | 14.8           | 3.81   | 10.25    | -                  |

### UNY

| PIPE SIZE   | FERROUS CATALOG # | NOMINAL WEIGHT | LENGTH | MAX DIA. | ALUMINUM CATALOG # |
|-------------|-------------------|----------------|--------|----------|--------------------|
| 1/2"        | PRUNY105          | 0.4            | 2.38   | 2.00     | PRUNY105SA         |
| 3/4"        | PRUNY205          | 0.7            | 2.44   | 2.25     | PRUNY205SA         |
| 3/4" - 1/2" | PRUNY215          | 0.8            | 2.44   | 2.25     | -                  |
| 1"          | PRUNY305          | 1.3            | 2.75   | 2.75     | PRUNY305SA         |
| 1-1/4"      | PRUNY405          | 2.6            | 3.19   | 3.00     | PRUNY405SA         |
| 1-1/2"      | PRUNY505          | 3.9            | 3.56   | 3.50     | PRUNY505SA         |
| 2"          | PRUNY605          | 4.2            | 3.75   | 4.50     | PRUNY605SA         |
| 2-1/2"      | PRUNY705          | 5.5            | 4.63   | 4.75     | PRUNY705SA         |
| 3"          | PRUNY805          | 7.5            | 5.00   | 5.50     | PRUNY805SA         |
| 3-1/2"      | PRUNY905          | 8.4            | 5.50   | 6.50     | PRUNY905SA         |
| 4"          | PRUNY1005         | 10.5           | 5.63   | 7.00     | PRUNY1005SA        |
| 5"          | PRUNY012          | 12.0           | 5.25   | 9.00     | -                  |
| 6"          | PRUNY014          | 14.9           | 5.38   | 10.25    | -                  |



Contact us:  
customerservice@plastibond.com



Visit [www.plastibond.com](http://www.plastibond.com)  
For more information