

Catalog Number	
Notes	Type

## FEATURES & SPECIFICATIONS

### INTENDED USE

The Quick-Flex Drop Cable allows miscellaneous devices (i.e. exits or power availability) to become part of the Quick-Flex system.

### ELECTRICAL

- Rated for use on 20-amp branch circuits.
- All conductors are No.12 AWG copper with -20°C to +90°C thermoplastic insulation rated 600V.
- All components provide a fully rated No. 12 AWG grounding conductor.
- Safety-Keying prevents accidental mating of components with different voltages.

### SYSTEM FEATURES

- Pin and socket contacts.
- Color-coded labels for quick voltage identification.
- Auto-latching springs for easy male/female connections.
- 6" leads are prestripped 5/8" for ease of wiring directly into 1/2" knockout.
- Cast snap-in connector provided on whip-end for fast, easy installation into a 1/2" trade size knockout.
- Green armor standard for easy identification in healthcare facilities (HCF).
- Plenum rated.

### LISTINGS

- UL Listed to US and Canadian Safety Standards.
- Built to UL Standard 183 for Manufactured Wiring Systems and suitable for air-handling spaces above grid ceiling as described in NEC 300.22(C).
- Meets NEC requirements for redundant ground paths for patient care areas in healthcare facilities (HCF option).
- U.S Patent Nos. 6,083,053; 6,102,773; 6,113,435; 6,126,490.

### WARRANTY

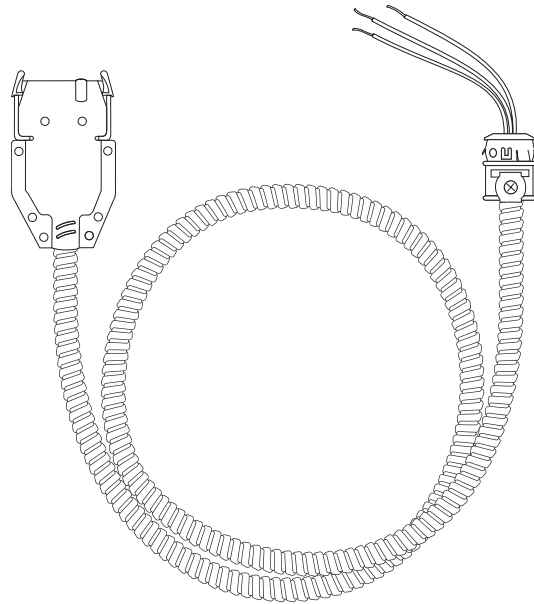
- 5-year limited warranty. Complete warranty terms located at [www.acuitybrands.com/CustomerResources/Terms\\_and\\_conditions.aspx](http://www.acuitybrands.com/CustomerResources/Terms_and_conditions.aspx)

Note: Actual performance may differ as a result of end-user environment and application. Specifications subject to change without notice.

### Quick-Flex® Drop Cable

### RECESSED CEILING LIGHTING SYSTEM

# QD



## QUICK-FLEX™

## ORDERING LOGIC

Example: QD120 12/3G15

For shortest lead times, configure product using **bolded options**.

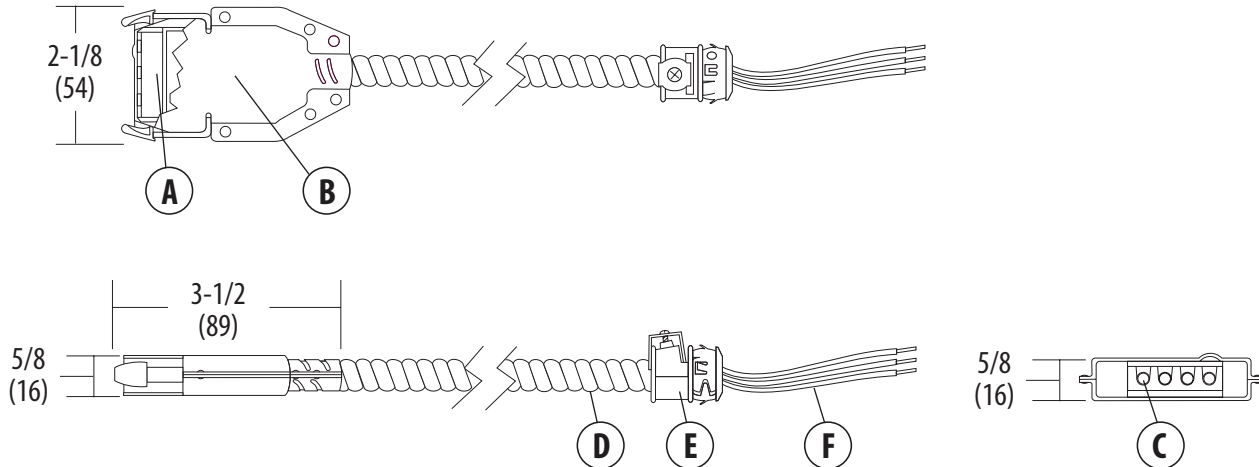
Series	Voltage	Conductors	Lengths <sup>1</sup>	Options
QD	<b>120</b> 120V <b>277</b> 277V <b>347</b> 347V	<b>12/2G</b> Two 12 AWG conductors, plus 12 AWG ground <b>12/3G</b> Three 12 AWG conductors, plus 12 AWG ground	<b>01</b> 1 ft. <b>03</b> 3 ft. <b>05</b> 5 ft. <b>09</b> 9 ft. <b>15</b> 15 ft.	HCF Meets healthcare facility requirements

### NOTES

1. Standard lengths listed. Consult factory for custom lengths up to 50ft.

## DIMENSIONS

Dimensions are shown in inches (millimeters)

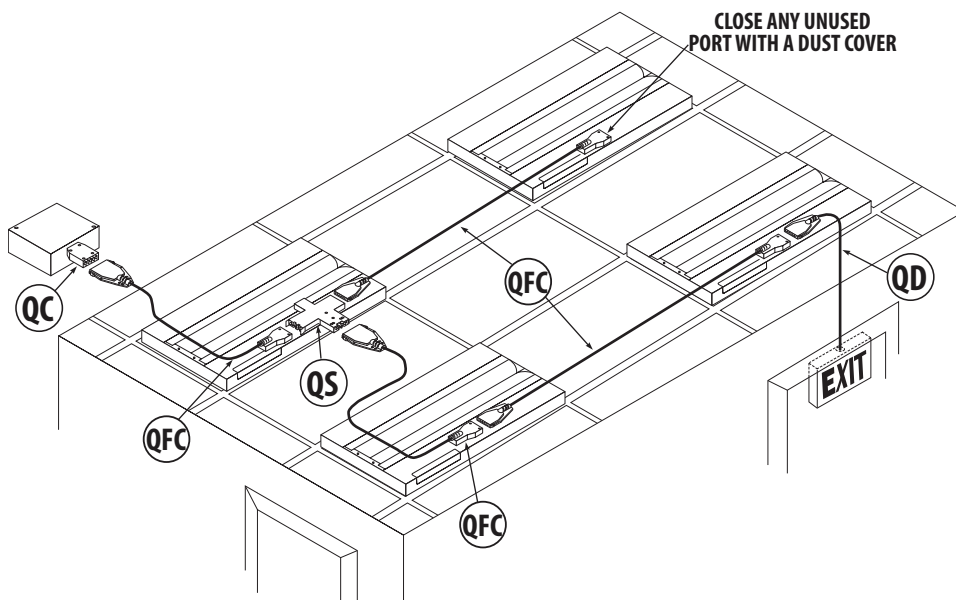


Pin Position / Wire Color			
Position	120V	277V	347V
1	Black	Brown	Black
N	White	Gray	White
G	Green	Green	Green
2	Red	Orange	Red

- A – Connector body
- B – 18-gauge galvanized steel cover, zinc alloy casting
- C – Tin-plated brass contacts
- D – MC cable standard and HCF MC optional
- E – Cast snap-in connector (for 1/2" trade size knockout)
- F – 6" leads prestripped 5/8"

## SYSTEM VIEW

System View designs are for illustrative purposes only.



Catalog Number	
Notes	Type

## FEATURES & SPECIFICATIONS

### INTENDED USE

The Quick-Flex Drop Cable allows miscellaneous devices (i.e. exits or power availability) to become part of the Quick-Flex system.

### ELECTRICAL

- Rated for use on 20-amp branch circuits.
- All conductors are No.12 AWG copper with -20°C to +90°C thermoplastic insulation rated 600V.
- All components provide a fully rated No. 12 AWG grounding conductor.
- Safety-Keying prevents accidental mating of components with different voltages.

### SYSTEM FEATURES

- Pin and socket contacts.
- Color-coded labels for quick voltage identification.
- Auto-latching springs for easy male/female connections.
- 6" leads are prestripped 5/8" for ease of wiring directly into 1/2" knockout.
- Cast snap-in connector provided on whip-end for fast, easy installation into a 1/2" trade size knockout.
- Green armor standard for easy identification in healthcare facilities (HCF).
- Plenum rated.

### LISTINGS

- UL Listed to US and Canadian Safety Standards.
- Built to UL Standard 183 for Manufactured Wiring Systems and suitable for air-handling spaces above grid ceiling as described in NEC 300.22(C).
- Meets NEC requirements for redundant ground paths for patient care areas in healthcare facilities (HCF option).
- U.S Patent Nos. 6,083,053; 6,102,773; 6,113,435; 6,126,490.

### WARRANTY

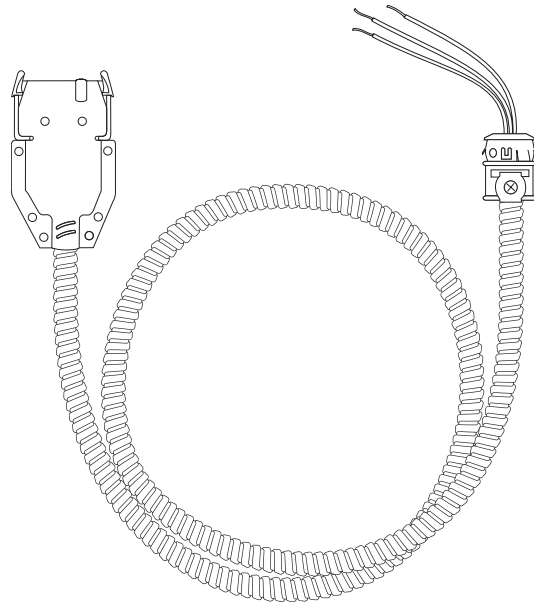
- 5-year limited warranty. Complete warranty terms located at [www.acuitybrands.com/CustomerResources/Terms\\_and\\_conditions.aspx](http://www.acuitybrands.com/CustomerResources/Terms_and_conditions.aspx)

Note: Actual performance may differ as a result of end-user environment and application. Specifications subject to change without notice.

### Quick-Flex® Drop Cable

### RECESSED CEILING LIGHTING SYSTEM

# QD



## QUICK-FLEX™

## ORDERING LOGIC

Example: QD120 12/3G15

For shortest lead times, configure product using **bolded options**.

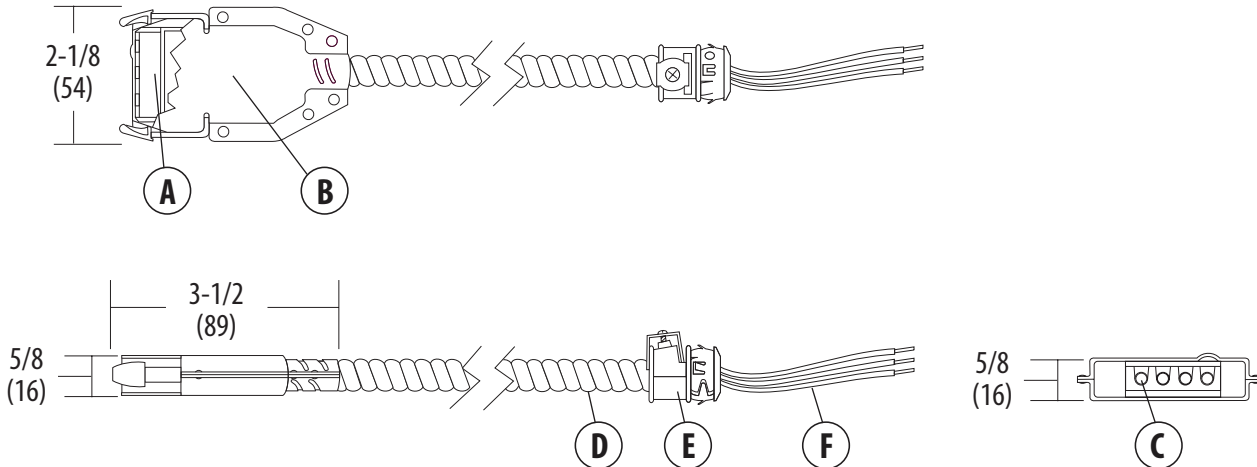
Series	Voltage	Conductors	Lengths <sup>1</sup>	Options
QD	<b>120</b> 120V <b>277</b> 277V <b>347</b> 347V	<b>12/2G</b> Two 12 AWG conductors, plus 12 AWG ground <b>12/3G</b> Three 12 AWG conductors, plus 12 AWG ground	<b>01</b> 1 ft. <b>03</b> 3 ft. <b>05</b> 5 ft. <b>09</b> 9 ft. <b>15</b> 15 ft.	HCF Meets healthcare facility requirements

### NOTES

1. Standard lengths listed. Consult factory for custom lengths up to 50ft.

## DIMENSIONS

Dimensions are shown in inches (millimeters)



Pin Position / Wire Color			
Position	120V	277V	347V
1	Black	Brown	Black
N	White	Gray	White
G	Green	Green	Green
2	Red	Orange	Red

- A – Connector body
- B – 18-gauge galvanized steel cover, zinc alloy casting
- C – Tin-plated brass contacts
- D – MC cable standard and HCF MC optional
- E – Cast snap-in connector (for 1/2" trade size knockout)
- F – 6" leads prestripped 5/8"

## SYSTEM VIEW

System View designs are for illustrative purposes only.

