

Z-Wave Plus universal smart dimmer

Project Name:	Prepared By:
Project Number:	Date:
Catalog Number:	Type:

Description

Single pole, 3-way, multi-location
120V/AC, 60Hz
Loads: LED, CFL, INC, HAL, FLR, MLV, ELV

Design features

- Wired solution available that works with a standard 3-way switch
- Compatible with Z-Wave Plus accessory dimmer (RF9642-Z) for 3-way control and wireless multi-location dimming
- Can be associated with up to 5 other Z-Wave Plus devices when used with a Z-Wave compatible controller
- Neutral wire required for installation
- Programmable rapid start feature ensures lamp start-up even at low dim levels
- Air-gap switch disconnects power from load forcing an OFF condition
- Adjustable high-level trim setting for additional energy savings
- Adjustable low-level trim setting helps prevent flickering
- Dimmable seven step blue LED display alongside push pad indicates selected light level - even in full daylight (coordinates light level status with associated dimmer accessory)
- Pressing and holding push pad for 2 seconds brings light to full brightness without affecting preset levels
- Patented indicator system alerts if the device is not set up in the network
- Programmable fading up to 2 minutes (default is 3 seconds)
- Programmable delayed OFF mode up to 2 minutes (default is 10 seconds)
- Configurable "power ON state"
- Child lockout feature which disables local control at dimmer
- Supports panic mode with compatible hubs
- Available in 10 different colors including metallic finish
- Z-Wave Plus certified with S2 security standard



RF9643-NDW



RF9643-NAW

Table 1. Z-Wave Plus universal smart dimmer

Rating W/AC	V/AC	Hz	Compatible lamp types	Description	Designer color suffix	Decorator color suffix	Catalog no.
300	120	60	Dimmable LED/CFL	Z-Wave Plus universal dimmer	AW, DS, WS	DB, DBK, DGY, DLA, DRB, DSG, DW	□ RF9643-N__
600	120	60	INC, HAL, ELV, MLV, FLR				

Complies with Z-Wave Plus, FCC, cULus, NOM certified

Compliances, specifications and availability are subject to change without notice.



Powering Business Worldwide

Project Name:	Prepared By:
Project Number:	Date:
Catalog Number:	Type:

Applications

Eaton's Z-Wave Plus universal smart dimmer replaces regular switches to provide local and remote ON/OFF/DIM/BRIGHT control. These are compatible with most common lighting loads including LED, CFL, INC, HAL, FLR, ELV, and MLV. This Z-Wave Plus dimmer provides other programmable features such as scenes, events and associations when used with Z-Wave compliant controllers.

This Z-Wave Plus dimmer can be controlled using a 3-way switch or by using the accessory dimmer (for multi-location) and provides programmable features such as scenes, events, and associations when used with Z-Wave compliant controllers.

Table 2. Specifications

Catalog No.	Dimmer RF9643-N
Performance	Rating: 120V/AC, 60Hz Derating required in multi-gang installations (See multi-unit installation chart listed below) Uses 500 Series Z-Wave chip @ 9.6/40/100 Kbps
Performance consideration	A Z-Wave enabled device must be within 60 feet of another Z-Wave enabled device to participate in a Z-Wave wireless mesh network. Any one dimmer or switch can be associated with up to 5 devices (dimmers, switches, receptacles, or plug-in modules)
Installation & programming	Please reference the Instruction Sheet included with the product for wiring installation. For programming of the device, see the Z-Wave User Manual, which is provided with compatible Z-Wave controllers
Testing & code compliance	cULus Listed 6B28. NOM Certified. Complies with FCC Part 15, Class B. Z-Wave Plus Compliant Certified
Terminations	Dimmer has five 6" pre-stripped wire leads for line, load, ground, neutral and 3-way wire
Material characteristics	Flammability: Meets UL94 requirements; V2 rated Temperature Rating: 32°F to 104°F (0°C to 40°C)
Warranty	2-year limited product warranty

Table 3. Multi-Unit installation chart

Catalog No.	Load Type	1-Gang	2-Gang	3 or more Gangs
RF9643-N	INC/ELV/FLR/HAL/MLV	600W/VA	550W/VA	500W/VA
	LED/CFL	300W	300W	300W

Table 4. Color ordering information

For ordering devices, include Catalog No. followed by the Color Suffix: AW (Alpine White), DS (Desert Sand), WS (White Satin), DB (Decorator Brown), DBK (Decorator Black), DGY (Decorator Gray), DLA (Decorator Light Almond), DRB (Decorator Oil Rubbed Bronze), DSG (Decorator Silver Granite), DW (Decorator White).

Designer series color options:

AW	AW	DS	DS	WS	WS
(Alpine White)		(Desert Sand)		(White Satin)	

Decorator series color options:

DB	DBK	DGY	DLA	DRB	DSG	DW
(Decorator Brown)	(Decorator Black)	(Decorator Gray)	(Decorator Light Almond)	(Decorator Oil Rubbed Bronze)	(Decorator Silver Granite)	(Decorator White)

Table 5. Multi-location dimming

Catalog No.	Use with RF9642-Z	Use with 7503 (Wired 3-way)
RF9643-N	(up to 5)	(1)

Project Name:	Prepared By:
Project Number:	Date:
Catalog Number:	Type:

Table 6. Device configuration parameters

Parameter	Description	Value range
1	Delayed OFF time	0 to 127 secs
2	Panic ON time	0 to 127 secs
3	Panic OFF time	0 to 127 secs
4	Not Used	N/A
5	Power up state	1=OFF, 2=ON, 3=Last state
6	Panic mode enable	0=OFF, 1=ON
7	Dimmer ramp time	*0 to 127 secs
8	Kickstart enable/disable	0 disables, 1 enables
9	Reset max/min levels to factory default	0
10 to 12	Not Used	N/A
13	Blue LED brightness level while dimmer is ON	0 to 4
14	Blue LED brightness level while dimmer is OFF	0 to 4
15	Amber LED brightness level while the dimmer is ON	0 to 4
16	Amber LED brightness level while the dimmer is OFF	0 to 4

Table 7. Device association information

Association Groups for RF9643-N	
Group 1 (life line)	5 nodes maximum
Group 2 (set) ON/OFF	5 nodes maximum
Group 3 (DIM) UP/DOWN	5 nodes maximum

Product dimensions

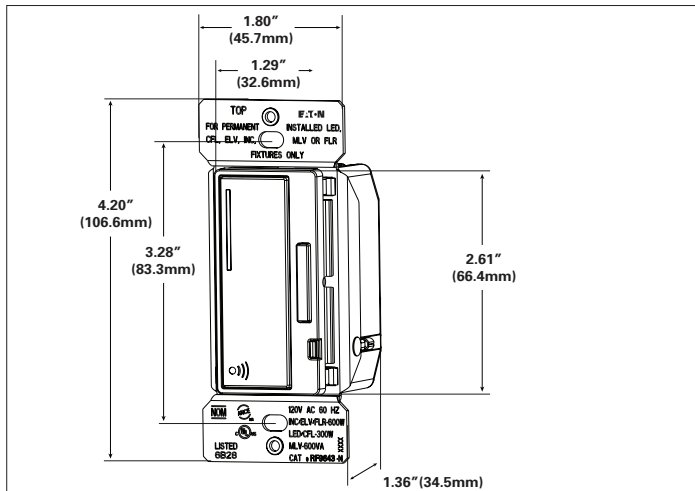
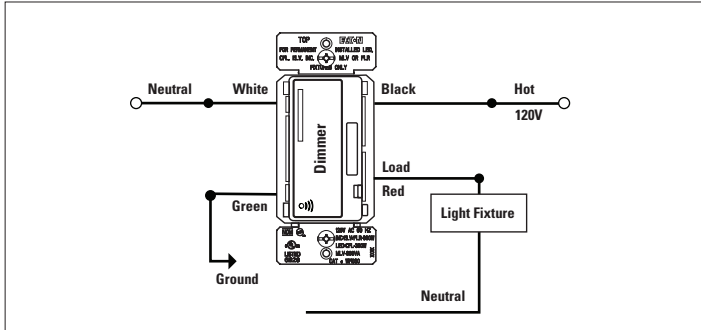


Figure 1. RF9643-N

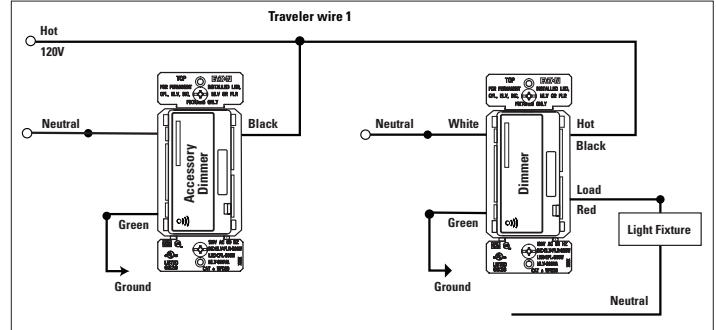
Project Name:	Prepared By:
Project Number:	Date:
Catalog Number:	Type:

Single-pole location wiring diagram



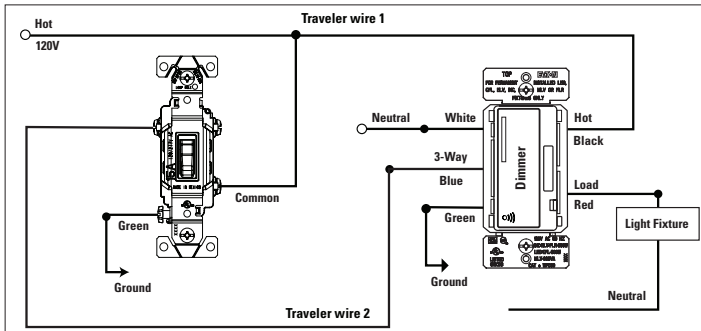
RF9643-N

Two-way location control wiring diagram



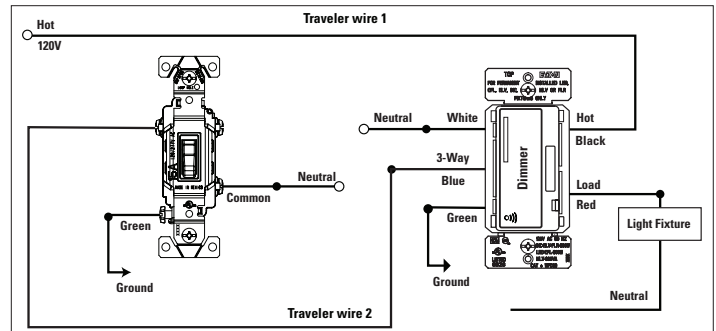
RF9643-N

Two location control (using hot wire) wiring diagram



RF9643-N

Two location control (using neutral wire) wiring diagram



RF9643-N

Certifications & compliances

Catalog No.				
RF9643-N	•	•	•	•

KEY: cULus NOM FCC Z-Wave Plus

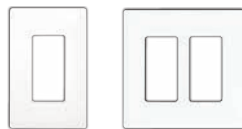
Related products

Z-Wave Plus wireless products



RF9642-Z, RF9601, RFTR9605

Wallplates



PJS26, PJS262

Compliances, specifications and availability are subject to change without notice.

Electrical Sector
203 Cooper Circle
Peachtree City, GA 30269
United States
Eaton.com
Eaton.com/wiringdevices

Eaton
1000 Eaton Boulevard
Cleveland, OH 44122
United States
Eaton.com
© 2021 Eaton
All Rights Reserved
Printed in USA
Publication No. TD610029EN
July 2021

Electrical Sector
Canada Operations
5925 McLaughlin Road
Mississauga, Ontario, L5R 1B8
Canada
EatonCanada.ca
Eaton.com/wiringdevices

Electrical Sector
Mexico Operations
Carr. Tlalnepantla -
Cuautitlan Km 17.8 s/n
Col. Villa Jardin esq.
Cerrada 8 de Mayo
Cuautitlan, Mexico CP 54800
Mexico
Eaton.mx
Eaton.com/wiringdevices

