

**RAISED COVER WITH LATCHES, TYPE 4X**

**INDUSTRY STANDARDS**

UL 508A Listed; Type 3, 3R, 4, 4X, 12, 13; File No. E54315  
 cUL Listed per CSA C22.2 No 94; Type 3, 3R, 4, 4X, 12, 13; File No. E54315  
 Enclosure flammability per UL 508A

NEMA/EEMAC Type 3, 3R, 4, 4X, 12, 13  
 CSA File No. 217184: Type 3, 3R, 4, 4X, 12, 13  
 IEC 60529, IP66

Meets NEMA Type 3RX requirements

**APPLICATION**

Enclosures feature a raised, hinged, overlapping cover design that ensures a more secure seal and offers increased internal space for mounting components. Available with solid and window covers. Latches provide easy access and security.

**SPECIFICATIONS**

- Compression-molded fiberglass construction
- Overlapping raised solid and window covers
- Windows are clear polycarbonate
- Cover fastens with padlockable Type 316 stainless steel latches
- Type 304 stainless steel piano hinges
- Integral mounting brackets
- Enclosures protect equipment and operators from indirect electrical contact
- Material is halogen free

**FINISH**

Fiberglass material is RAL 7035 light-gray inside and out. Optional steel panels are painted white. Optional stainless steel, aluminum, conductive and composite panels are unpainted.

**ACCESSORIES**

- See also *Accessories*.
- H20MIT Vent Drains, Type 4X
  - HOL-SEALERS Non-Metallic Hole Seals
  - Panels for Junction Boxes
  - Swing-Out Panel Kit
  - Terminal Block Kit Assembly for Junction Boxes Overview

**MODIFICATION AND CUSTOMIZATION**

Hoffman excels at modifying and customizing products to your specifications. Contact your local Hoffman sales office or distributor for complete information.

**BULLETIN: HJ**
**Standard Product**

Catalog Number	Ax B x C in./mm	No. of Latches	Window Size		D in./mm	F in./mm	G in./mm	H in./mm	I in./mm	J in./mm	K in./mm	L in./mm	P in./mm	Q in./mm	W in./mm
			M x N in./mm												
RHJB1008HWPL1LG	9.70 x 7.71 x 5.91	1	8.00 x 6.00		6.86	6.49	10.75	6.00	11.51	4.50	3.15	11.22	8.25	6.25	9.22
	246 x 196 x 150		203 x 152	174	165	273	152	292	114	80	285	210	159	234	
RHJB1210HWPL2LG	11.68 x 9.69 x 6.16	2	10.00 x 8.00		7.05	6.73	12.75	8.00	13.51	4.66	3.15	13.22	10.25	8.25	11.22
	296 x 246 x 156		254 x 203	179	171	324	203	343	118	80	336	260	210	285	
RHJB1412HWPL2LG	13.62 x 11.62 x 7.24	2	12.00 x 10.00		8.13	7.81	14.75	10.00	15.50	5.63	3.25	15.32	12.25	10.25	13.22
	346 x 295 x 184		305 x 254	207	194	375	254	394	143	82	387	311	260	336	
RHJB1614HWPL2LG	15.62 x 13.62 x 7.24	2	14.00 x 12.00		8.13	7.81	16.75	12.00	17.51	5.63	3.25	17.22	14.25	12.25	15.22
	396 x 346 x 184		356 x 305	207	194	425	305	445	143	82	437	362	311	386	
RHJ1008HWPL1LG	9.70 x 7.71 x 5.91	1	---		6.86	6.49	10.75	6.00	11.51	4.50	3.15	11.22	8.25	6.25	9.22
	246 x 196 x 150		---	---	---	174	165	273	152	292	114	80	285	210	159
RHJ1210HWPL2LG	11.68 x 9.69 x 6.16	2	---		7.05	6.73	12.75	8.00	13.51	4.66	3.15	13.22	10.25	8.25	11.22
	296 x 246 x 156		---	---	---	179	171	324	152	343	118	80	336	260	210
RHJ1412HWPL2LG	13.62 x 11.62 x 7.24	2	---		8.13	7.81	14.75	10.00	15.51	5.63	3.25	15.22	12.25	10.25	13.22
	346 x 295 x 184		---	---	---	207	194	375	254	394	143	82	387	311	260
RHJ1614HWPL2LG	15.62 x 13.62 x 7.24	2	---		8.13	7.81	16.75	12.00	17.51	5.63	3.25	17.22	14.25	12.25	15.22
	396 x 346 x 184		---	---	---	207	194	425	305	445	143	82	437	362	311
RHJ1816HWPL2LG	17.48 x 15.77 x 9.44	2	---		10.25	10.01	18.74	12.00	19.51	7.76	3.25	19.22	16.25	14.25	17.22
	444 x 400 x 240		---	---	---	260	254	476	305	496	197	82	488	413	362

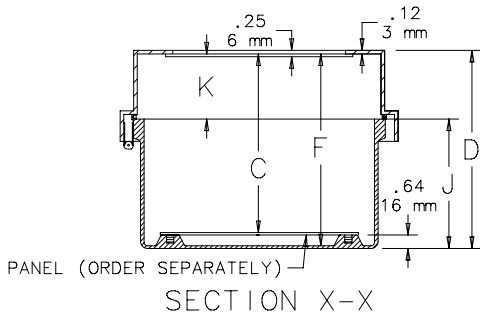
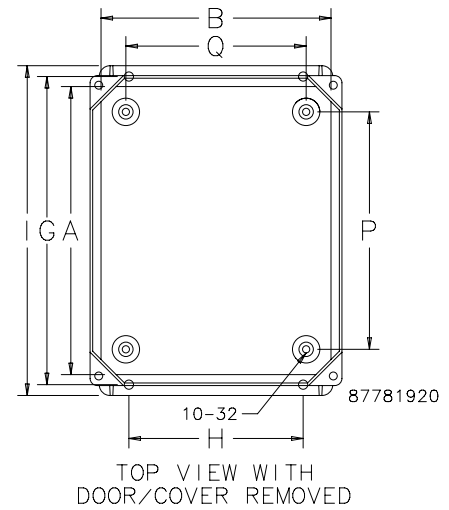
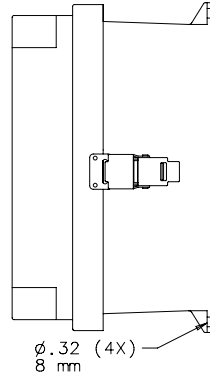
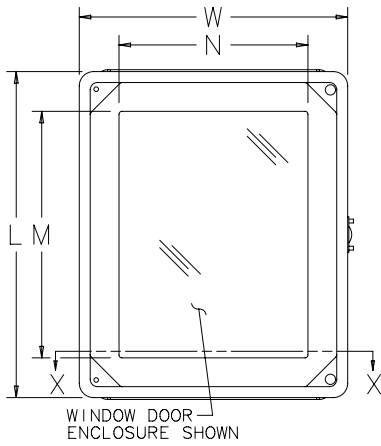
A x B x C are internal dimensions.

Purchase panels separately. Optional stainless steel, composite and aluminum panels are available for most sizes.

**Panels**

Enclosure Catalog Number	Steel Panel	Aluminum Panel	Panel Size in./mm
RHJB1008HWPL1LG	A10P8	A10P8AL	8.75 x 6.88 222 x 102
RHJB1210HWPL2LG	A12P10	A12P10AL	10.75 x 8.88 273 x 226
RHJB1412HWPL2LG	A14P12	A14P12AL	12.75 x 10.88 324 x 276
RHJB1614HWPL2LG	A16P14	A16P14AL	14.75 x 12.88 375 x 327
RHJ1008HWPL1LG	A10P8	A10P8AL	8.75 x 6.88 222 x 102
RHJ1210HWPL2LG	A12P10	A12P10AL	10.75 x 8.88 273 x 226
RHJ1412HWPL2LG	A14P12	A14P12AL	12.75 x 10.88 324 x 276
RHJ1614HWPL2LG	A16P14	A16P14AL	14.75 x 12.88 375 x 327
RHJ1816HWPL2LG	A18P16	A18P16AL	16.75 x 14.88 425 x 378

**Raised Cover Window Enclosures**



**RAISED COVER WITH LATCHES, TYPE 4X**

**INDUSTRY STANDARDS**

UL 508A Listed; Type 3, 3R, 4, 4X, 12, 13; File No. E54315  
 cUL Listed per CSA C22.2 No 94; Type 3, 3R, 4, 4X, 12, 13; File No. E54315  
 Enclosure flammability per UL 508A

NEMA/EEMAC Type 3, 3R, 4, 4X, 12, 13  
 CSA File No. 217184: Type 3, 3R, 4, 4X, 12, 13  
 IEC 60529, IP66

Meets NEMA Type 3RX requirements

**APPLICATION**

Enclosures feature a raised, hinged, overlapping cover design that ensures a more secure seal and offers increased internal space for mounting components. Available with solid and window covers. Latches provide easy access and security.

**SPECIFICATIONS**

- Compression-molded fiberglass construction
- Overlapping raised solid and window covers
- Windows are clear polycarbonate
- Cover fastens with padlockable Type 316 stainless steel latches
- Type 304 stainless steel piano hinges
- Integral mounting brackets
- Enclosures protect equipment and operators from indirect electrical contact
- Material is halogen free

**FINISH**

Fiberglass material is RAL 7035 light-gray inside and out. Optional steel panels are painted white. Optional stainless steel, aluminum, conductive and composite panels are unpainted.

**ACCESSORIES**

- See also *Accessories*.
- H20MIT Vent Drains, Type 4X
  - HOL-SEALERS Non-Metallic Hole Seals
  - Panels for Junction Boxes
  - Swing-Out Panel Kit
  - Terminal Block Kit Assembly for Junction Boxes Overview

**MODIFICATION AND CUSTOMIZATION**

Hoffman excels at modifying and customizing products to your specifications. Contact your local Hoffman sales office or distributor for complete information.

**BULLETIN: HJ**
**Standard Product**

Catalog Number	Ax B x C in./mm	No. of Latches	Window Size		D in./mm	F in./mm	G in./mm	H in./mm	I in./mm	J in./mm	K in./mm	L in./mm	P in./mm	Q in./mm	W in./mm
			M x N in./mm												
RHJB1008HWPL1LG	9.70 x 7.71 x 5.91 246 x 196 x 150	1	8.00 x 6.00 203 x 152		6.86 174	6.49 165	10.75 273	6.00 152	11.51 292	4.50 114	3.15 80	11.22 285	8.25 210	6.25 159	9.22 234
RHJB1210HWPL2LG	11.68 x 9.69 x 6.16 296 x 246 x 156	2	10.00 x 8.00 254 x 203		7.05 179	6.73 171	12.75 324	8.00 203	13.51 343	4.66 118	3.15 80	13.22 336	10.25 260	8.25 210	11.22 285
RHJB1412HWPL2LG	13.62 x 11.62 x 7.24 346 x 295 x 184	2	12.00 x 10.00 305 x 254		8.13 207	7.81 194	14.75 375	10.00 254	15.50 394	5.63 143	3.25 82	15.32 387	12.25 311	10.25 260	13.22 336
RHJB1614HWPL2LG	15.62 x 13.62 x 7.24 396 x 346 x 184	2	14.00 x 12.00 356 x 305		8.13 207	7.81 194	16.75 425	12.00 305	17.51 445	5.63 143	3.25 82	17.22 437	14.25 362	12.25 311	15.22 386
RHJ1008HWPL1LG	9.70 x 7.71 x 5.91 246 x 196 x 150	1	---		6.86 174	6.49 165	10.75 273	6.00 152	11.51 292	4.50 114	3.15 80	11.22 285	8.25 210	6.25 159	9.22 234
RHJ1210HWPL2LG	11.68 x 9.69 x 6.16 296 x 246 x 156	2	---		7.05 179	6.73 171	12.75 324	8.00 152	13.51 343	4.66 118	3.15 80	13.22 336	10.25 260	8.25 210	11.22 285
RHJ1412HWPL2LG	13.62 x 11.62 x 7.24 346 x 295 x 184	2	---		8.13 207	7.81 194	14.75 375	10.00 254	15.51 394	5.63 143	3.25 82	15.22 387	12.25 311	10.25 260	13.22 336
RHJ1614HWPL2LG	15.62 x 13.62 x 7.24 396 x 346 x 184	2	---		8.13 207	7.81 194	16.75 425	12.00 305	17.51 445	5.63 143	3.25 82	17.22 437	14.25 362	12.25 311	15.22 386
RHJ1816HWPL2LG	17.48 x 15.77 x 9.44 444 x 400 x 240	2	---		10.25 260	10.01 254	18.74 476	12.00 305	19.51 496	7.76 197	3.25 82	19.22 488	16.25 413	14.25 362	17.22 437

A x B x C are internal dimensions.

Purchase panels separately. Optional stainless steel, composite and aluminum panels are available for most sizes.

**Panels**

Enclosure Catalog Number	Steel Panel	Aluminum Panel	Panel Size in./mm
RHJB1008HWPL1LG	A10P8	A10P8AL	8.75 x 6.88 222 x 102
RHJB1210HWPL2LG	A12P10	A12P10AL	10.75 x 8.88 273 x 226
RHJB1412HWPL2LG	A14P12	A14P12AL	12.75 x 10.88 324 x 276
RHJB1614HWPL2LG	A16P14	A16P14AL	14.75 x 12.88 375 x 327
RHJ1008HWPL1LG	A10P8	A10P8AL	8.75 x 6.88 222 x 102
RHJ1210HWPL2LG	A12P10	A12P10AL	10.75 x 8.88 273 x 226
RHJ1412HWPL2LG	A14P12	A14P12AL	12.75 x 10.88 324 x 276
RHJ1614HWPL2LG	A16P14	A16P14AL	14.75 x 12.88 375 x 327
RHJ1816HWPL2LG	A18P16	A18P16AL	16.75 x 14.88 425 x 378

**Raised Cover Window Enclosures**

