



# HW

## Technical Specifications - RJ Series

RJ

*Raised Cover "HW" configuration - Hinged, 2 cover screws*



### HW Construction

|                                  |  |
|----------------------------------|--|
| <b>Material</b>                  | Hot compression molded fiberglass reinforced polyester                                     |
| <b>Gasket</b>                    | Poured polyurethane seamless gasket provides watertight, dust-tight environmental seal     |
| <b>Pan head screws</b>           | Minimizes protruding surfaces  |
| <b>Stainless Steel Hardware</b>  | 300 Series stainless used on all external hardware   |
| <b>Molded in Mounting Flange</b> | Integral flange molded in place for ease of mounting                                       |
| <b>Mounting Bosses</b>           | Panel mounting capability for fixed rear panel   |
| <b>Metal inserts</b>             | Back panel utilizes threaded brass inserts accepting 10-32 screws                          |
| <b>Soft Edge Design</b>          | Rounded edges, minimal protrusions or exposed pocket areas for assembly of dust and debris |
| <b>Raised cover</b>              | Extended depth in cover  |

### HW Industry Standards

|                                  |  |
|----------------------------------|--|
| <b>UL/cUL 50</b>                 | File E64358 Type 1, 3R, 4X, 6P, 12                 |
| <b>NEMA 250</b>                  | Type 1, 3R, 4X, 6P, 12                             |
| <b>CSA Std C22.2</b>             | File LR069014 Type 1, 3R, 4X, 6P, 12               |
| <b>Temperature Range</b>         | (-76°F to +274°F) (-60°C to +134°C)                |
| <b>Flammability Rating</b>       | UL94-5V  |
| <b>Self Extinguishing</b>        | Non-halogenated, Non-flame propagating             |
| <b>Chemical Resistance</b>       | Full chemical resistance charts listed in appendix |
| <b>NFPA No. 101 Flame Spread</b> | Class A (1)  |

NOTES:

### HW Accessories

#### Back Panels

|                             |       |               |
|-----------------------------|-------|---------------|
| <b>Aluminum</b>             | BP_AL | pg. 149 - 150 |
| <b>Fiberglass</b>           | BP_FG | pg. 149 - 150 |
| <b>Stainless Steel</b>      | BP_SS | pg. 149 - 150 |
| <b>Painted Carbon Steel</b> | BP_CS | pg. 149 - 150 |

#### Accessories

|                                     |               |
|-------------------------------------|---------------|
| <b>Drain &amp; Breather Vents</b>   | pg. 144, 146  |
| <b>Hole Plugs</b>                   | pg. 145       |
| <b>Assorted Hubs and Cord Grips</b> | pg. 145, 148  |
| <b>All Other Accessories</b>        | pg. 144 - 159 |

### HW Modifications

|                             |             |
|-----------------------------|-------------|
| <b>Custom Colors</b>        | pg. 12 - 13 |
| <b>Silk Screening</b>       | pg. 12 - 13 |
| <b>EMI/RFI Shielding</b>    | pg. 12 - 13 |
| <b>Custom Window</b>        | pg. 12 - 13 |
| <b>Custom Cutouts/Holes</b> | pg. 12 - 13 |

# Technical Specifications - RJ Series

## Raised Cover "HLL" configuration - Hinged, twist latch



### HLL Construction

|                                  |  |
|----------------------------------|--|
| <b>Material</b>                  | Hot compression molded fiberglass reinforced polyester                                     |
| <b>Gasket</b>                    | Poured polyurethane seamless gasket provides watertight, dust-tight environmental seal     |
| <b>Stainless Steel Hardware</b>  | 300 Series stainless used on all external hardware   |
| <b>Molded in Mounting Flange</b> | Integral flange molded in place for ease of mounting                                       |
| <b>Mounting Bosses</b>           | Panel mounting capability for fixed rear panel   |
| <b>Metal inserts</b>             | Back panel utilizes threaded brass inserts accepting 10-32 screws                          |
| <b>Soft Edge Design</b>          | Rounded edges, minimal protrusions or exposed pocket areas for assembly of dust and debris |
| <b>Raised cover</b>              | Extended depth in cover  |

### HLL Industry Standards

|                                  |  |
|----------------------------------|--|
| <b>UL/cUL 50</b>                 | File E64358 Type 1, 3R, 4X, 6P, 12                 |
| <b>NEMA 250</b>                  | Type 1, 3R, 4X, 6P, 12                             |
| <b>CSA Std C22.2</b>             | File LR069014 Type 1, 3R, 4X, 6P, 12               |
| <b>Temperature Range</b>         | (-76°F to +274°F) (-60°C to +134°C)                |
| <b>Flammability Rating</b>       | UL94-5V  |
| <b>Self Extinguishing</b>        | Non-halogenated, Non-flame propagating             |
| <b>Chemical Resistance</b>       | Full chemical resistance charts listed in appendix |
| <b>NFPA No. 101 Flame Spread</b> | Class A (1)  |

### NOTES:

### HLL Accessories

#### Back Panels

|                             |       |               |
|-----------------------------|-------|---------------|
| <b>Aluminum</b>             | BP_AL | pg. 149 - 150 |
| <b>Fiberglass</b>           | BP_FG | pg. 149 - 150 |
| <b>Stainless Steel</b>      | BP_SS | pg. 149 - 150 |
| <b>Painted Carbon Steel</b> | BP_CS | pg. 149 - 150 |

#### Accessories

|                                     |               |
|-------------------------------------|---------------|
| <b>Drain &amp; Breather Vents</b>   | pg. 144, 146  |
| <b>Hole Plugs</b>                   | pg. 145       |
| <b>Assorted Hubs and Cord Grips</b> | pg. 145, 148  |
| <b>All Other Accessories</b>        | pg. 144 - 159 |

### HLL Modifications

|                             |             |
|-----------------------------|-------------|
| <b>Custom Colors</b>        | pg. 12 - 13 |
| <b>Silk Screening</b>       | pg. 12 - 13 |
| <b>EMI/RFI Shielding</b>    | pg. 12 - 13 |
| <b>Custom Window</b>        | pg. 12 - 13 |
| <b>Custom Cutouts/Holes</b> | pg. 12 - 13 |

# Technical Specifications - RJ Series

## Raised Cover "HPL" configuration - Hinged, padlock latch



### HPL Construction

|                                  |  |
|----------------------------------|--|
| <b>Material</b>                  | Hot compression molded fiberglass reinforced polyester                                     |
| <b>Gasket</b>                    | Poured polyurethane seamless gasket provides watertight, dust-tight environmental seal     |
| <b>Stainless Steel Hardware</b>  | 300 Series stainless used on all external hardware   |
| <b>Molded in Mounting Flange</b> | Integral flange molded in place for ease of mounting                                       |
| <b>Mounting Bosses</b>           | Panel mounting capability for fixed rear panel   |
| <b>Metal inserts</b>             | Back panel utilizes threaded brass inserts accepting 10-32 screws                          |
| <b>Soft Edge Design</b>          | Rounded edges, minimal protrusions or exposed pocket areas for assembly of dust and debris |
| <b>Raised cover</b>              | Extended depth in cover  |

### HPL Industry Standards

|                                  |  |
|----------------------------------|--|
| <b>UL/cUL 50</b>                 | File E64358 Type 1, 3R, 4X, 6P, 12                 |
| <b>NEMA 250</b>                  | Type 1, 3R, 4X, 6P, 12                             |
| <b>CSA Std C22.2</b>             | File LR069014 Type 1, 3R, 4X, 6P, 12               |
| <b>Temperature Range</b>         | (-76°F to +274°F) (-60°C to +134°C)                |
| <b>Flammability Rating</b>       | UL94-5V  |
| <b>Self Extinguishing</b>        | Non-halogenated, Non-flame propagating             |
| <b>Chemical Resistance</b>       | Full chemical resistance charts listed in appendix |
| <b>NFPA No. 101 Flame Spread</b> | Class A (1)  |

NOTES:

### HPL Accessories

#### Back Panels

|                             |       |               |
|-----------------------------|-------|---------------|
| <b>Aluminum</b>             | BP_AL | pg. 149 - 150 |
| <b>Fiberglass</b>           | BP_FG | pg. 149 - 150 |
| <b>Stainless Steel</b>      | BP_SS | pg. 149 - 150 |
| <b>Painted Carbon Steel</b> | BP_CS | pg. 149 - 150 |

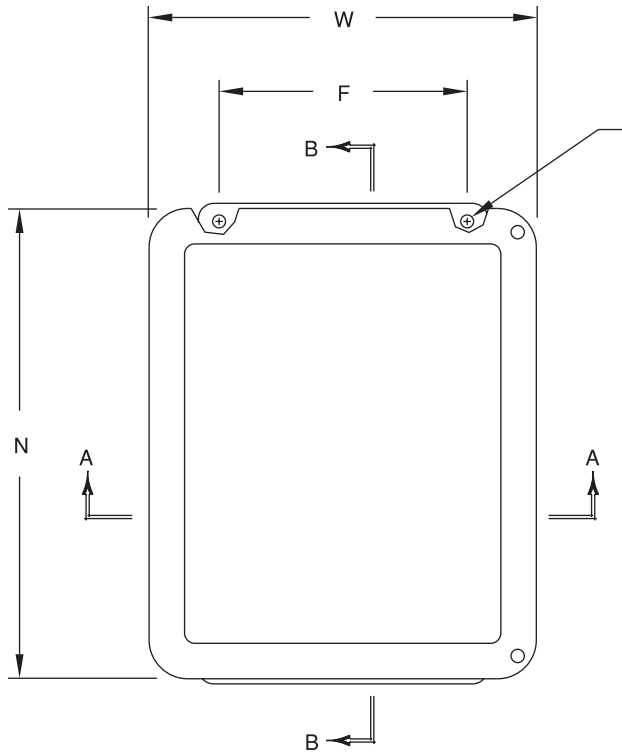
#### Accessories

|                                     |               |
|-------------------------------------|---------------|
| <b>Drain &amp; Breather Vents</b>   | pg. 144, 146  |
| <b>Hole Plugs</b>                   | pg. 145       |
| <b>Assorted Hubs and Cord Grips</b> | pg. 145, 148  |
| <b>All Other Accessories</b>        | pg. 144 - 159 |

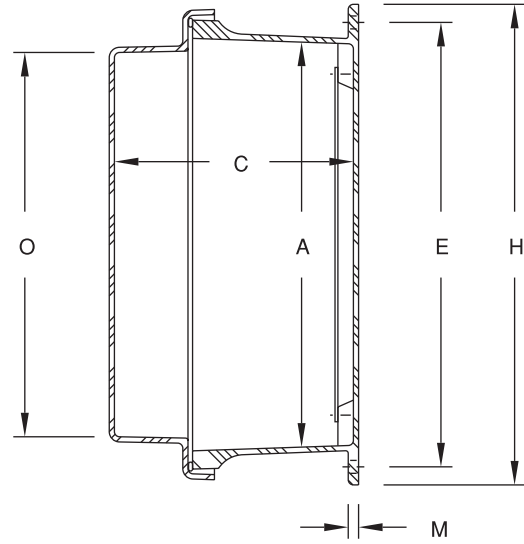
### HPL Modifications

|                             |             |
|-----------------------------|-------------|
| <b>Custom Colors</b>        | pg. 12 - 13 |
| <b>Silk Screening</b>       | pg. 12 - 13 |
| <b>EMI/RFI Shielding</b>    | pg. 12 - 13 |
| <b>Custom Window</b>        | pg. 12 - 13 |
| <b>Custom Cutouts/Holes</b> | pg. 12 - 13 |

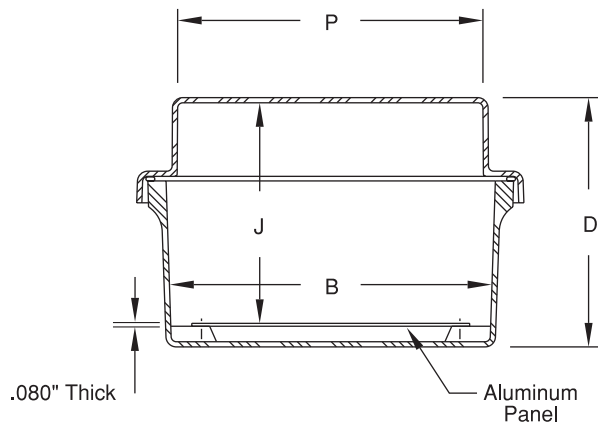
# RJ Series Opaque Cover Technical Drawings



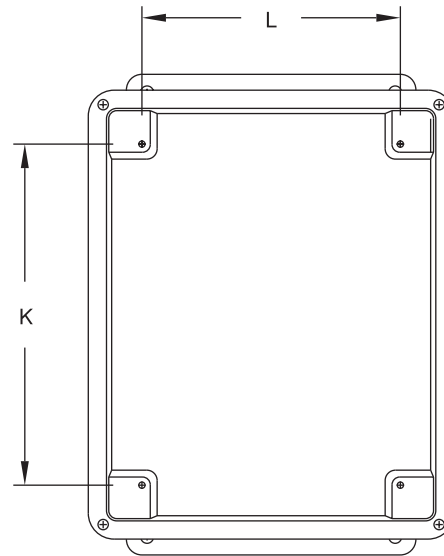
HOLE DIA.  
4 PLC'S.



SECTION B-B



SECTION A-A



FRONT VIEW  
WITHOUT COVER

## RJ Series Opaque Cover Technical Drawings

### RJ Series Opaque Cover Enclosures

| SIZE ID NUMBER                                | OVERALL H X W X D                          | INSIDE A X B X C                           | MOUNTING E X F               | J             | K              | L              | M           | N              | O              | P              | HOLE DIA.   | SHIPPING WEIGHT | PANEL NUMBER |
|---|--|--|------------------------------|---------------|----------------|----------------|-------------|----------------|----------------|----------------|-------------|-----------------|--------------|
| RJ604W<br>RJ604HW<br>RJ604HLL<br>RJ604HPL     | 7.47 x 5.47 x 6.21<br>(190 x 139 x 158)    | 5.84 x 3.85 x 5.95<br>(148 x 98 x 151)     | 6.75 x 2.00<br>(171 x 51)    | 5.51<br>(140) | 4.25<br>(108)  | 2.25<br>(57)   | 0.25<br>(6) | 7.45<br>(189)  | 5.31<br>(135)  | 3.34<br>(85)   | 0.31<br>(8) | 2.60 lbs.       | BP64*        |
| RJ606W<br>RJ606HW<br>RJ606HLL<br>RJ606HPL     | 7.50 x 7.53 x 6.32<br>(191 x 191 x 161)    | 5.72 x 5.72 x 5.97<br>(145 x 145 x 152)    | 6.75 x 4.00<br>(171 x 101)   | 5.49<br>(139) | 4.25<br>(108)  | 4.25<br>(108)  | 0.25<br>(6) | 7.53<br>(191)  | 5.34<br>(136)  | 5.31<br>(135)  | 0.31<br>(8) | 3.10 lbs.       | BP66*        |
| RJ806W<br>RJ806HW<br>RJ806HLL<br>RJ806HPL     | 9.63 x 7.52 x 6.20<br>(245 x 191 x 158)    | 7.73 x 5.74 x 5.95<br>(196 x 146 x 151)    | 8.88 x 4.00<br>(225 x 101)   | 5.49<br>(139) | 6.25<br>(159)  | 4.25<br>(108)  | 0.25<br>(6) | 9.36<br>(238)  | 7.25<br>(185)  | 5.28<br>(134)  | 0.31<br>(8) | 3.70 lbs.       | BP86*        |
| RJ808W<br>RJ808HW<br>RJ808HPL                 | 9.56 x 9.38 x 6.25<br>(243 x 238 x 159)    | 7.73 x 7.73 x 6.00<br>(196 x 196 x 152)    | 8.75 x 6.00<br>(222 x 152)   | 5.42<br>(138) | 6.25<br>(159)  | 6.25<br>(159)  | 0.25<br>(6) | 9.38<br>(238)  | 7.17<br>(182)  | 7.17<br>(182)  | 0.31<br>(8) | 4.20 lbs.       | BP88*        |
| RJ1008W<br>RJ1008HW<br>RJ1008HLL<br>RJ1008HPL | 11.63 x 9.37 x 6.58<br>(295 x 238 x 167)   | 9.73 x 7.73 x 6.33<br>(247 x 196 x 161)    | 10.75 x 6.00<br>(273 x 152)  | 5.87<br>(149) | 8.25<br>(209)  | 6.25<br>(159)  | 0.25<br>(6) | 11.38<br>(289) | 9.3<br>(236)   | 7.38<br>(188)  | 0.31<br>(8) | 5.20 lbs.       | BP108*       |
| RJ1210W<br>RJ1210HW<br>RJ1210HLL<br>RJ1210W   | 13.56 x 11.43 x 6.58<br>(344 x 291 x 167)  | 11.79 x 9.80 x 6.32<br>(299 x 249 x 161)   | 12.75 x 8.00<br>(324 x 203)  | 5.87<br>(149) | 10.25<br>(260) | 8.25<br>(210)  | 0.25<br>(6) | 13.41<br>(341) | 11.2<br>(284)  | 9.23<br>(234)  | 0.31<br>(8) | 6.70 lbs.       | BP1210*      |
| RJ1212W<br>RJ1212HW<br>RJ1212HLL<br>RJ1212HPL | 13.56 x 13.38 x 7.72<br>(344 x 340 x 196)  | 11.70 x 11.70 x 7.47<br>(297 x 297 x 190)  | 12.75 x 10.00<br>(324 x 254) | 6.89<br>(175) | 10.25<br>(260) | 10.25<br>(260) | 0.25<br>(6) | 13.38<br>(340) | 11.17<br>(284) | 11.17<br>(284) | 0.31<br>(8) | 8.90 lbs.       | BP1212*      |
| RJ1412W<br>RJ1412HW<br>RJ1412HLL<br>RJ1412HPL | 15.50 x 13.38 x 7.69<br>(394 x 340 x 195)  | 13.50 x 11.52 x 7.45<br>(343 x 293 x 189)  | 14.63 x 10.00<br>(372 x 254) | 6.86<br>(174) | 12.25<br>(311) | 10.25<br>(260) | 0.25<br>(6) | 15.42<br>(392) | 13.2<br>(335)  | 11.16<br>(284) | 0.31<br>(8) | 10.20 lbs.      | BP1412*      |
| RJ1614W<br>RJ1614HW<br>RJ1614HLL<br>RJ1614HPL | 17.53 x 15.43 x 7.68<br>(445 x 392 x 195)  | 15.60 x 13.56 x 7.45<br>(396 x 344 x 189)  | 16.75 x 12.00<br>(425 x 305) | 6.85<br>(174) | 14.25<br>(362) | 12.25<br>(311) | 0.25<br>(6) | 17.43<br>(443) | 15.2<br>(386)  | 13.24<br>(336) | 0.31<br>(8) | 12.30 lbs.      | BP1614*      |
| RJ1816W<br>RJ1816HW<br>RJ1816HLL<br>RJ1816HPL | 19.63 x 17.48 x 10.63<br>(499 x 444 x 270) | 17.69 x 15.69 x 10.31<br>(449 x 399 x 262) | 18.88 x 12.00<br>(479 x 305) | 9.86<br>(250) | 16.25<br>(413) | 14.25<br>(362) | 0.25<br>(6) | 19.49<br>(495) | 17.25<br>(438) | 15.25<br>(387) | 0.31<br>(8) | 19.50 lbs.      | BP1816*      |
| RJ2016W<br>RJ2016HW<br>RJ2016HLL<br>RJ2016HPL | 22.00 x 17.56 x 10.63<br>(559 x 446 x 270) | 19.72 x 15.72 x 10.33<br>(501 x 399 x 262) | 21.25 x 10.00<br>(540 x 254) | 9.86<br>(250) | 18.25<br>(464) | 14.25<br>(362) | 0.25<br>(6) | 21.56<br>(548) | 19.31<br>(490) | 15.39<br>(391) | 0.31<br>(8) | 21.40 lbs.      | BPJ2016*     |

All measures are in inches, items in parentheses are in millimeters.

\* Panel ordered separately.

# Technical Specifications - RJ Series

Raised Cover "W" configuration - 4 cover screws, lift off cover

# W



## NOTES:

### W Construction

|                           |  |
|---------------------------|--|
| Material                  | Hot compression molded fiberglass reinforced polyester                                     |
| Gasket                    | Poured polyurethane seamless gasket provides watertight, dust-tight environmental seal     |
| Pan head screws           | Minimizes protruding surfaces  |
| Stainless Steel Hardware  | 300 Series stainless used on all external hardware   |
| Molded in Mounting Flange | Integral flange molded in place for ease of mounting                                       |
| Mounting Bosses           | Panel mounting capability for fixed rear panel   |
| Metal inserts             | Back panel utilizes threaded brass inserts accepting 10-32 screws                          |
| Soft Edge Design          | Rounded edges, minimal protrusions or exposed pocket areas for assembly of dust and debris |
| Cover retention chain     | Stainless steel beaded chain for securing cover after lift off                             |
| Raised Cover              | Extended depth in cover  |

### W Industry Standards

|                           |  |
|---------------------------|--|
| UL/cUL 50                 | File E64358 Type 1, 3R, 4X, 6P, 12                 |
| NEMA 250                  | Type 1, 3R, 4X, 6P, 12                             |
| CSA Std C22.2             | File LR069014 Type 1, 3R, 4X, 6P, 12               |
| Temperature Range         | (-76°F to +274°F) (-60°C to +134°C)                |
| Flammability Rating       | UL94-5V  |
| Self Extinguishing        | Non-halogenated, Non-flame propagating             |
| Chemical Resistance       | Full chemical resistance charts listed in appendix |
| NFPA No. 101 Flame Spread | Class A (1)  |

### W Accessories

#### Back Panels

|                      |       |               |
|----------------------|-------|---------------|
| Aluminum             | BP_AL | pg. 149 - 150 |
| Fiberglass           | BP_FG | pg. 149 - 150 |
| Stainless Steel      | BP_SS | pg. 149 - 150 |
| Painted Carbon Steel | BP_CS | pg. 149 - 150 |

#### Accessories

|                              |               |
|------------------------------|---------------|
| Drain & Breather Vents       | pg. 144, 146  |
| Hole Plugs                   | pg. 145       |
| Assorted Hubs and Cord Grips | pg. 145, 148  |
| All Other Accessories        | pg. 144 - 159 |

### W Modifications

|                      |             |
|----------------------|-------------|
| Custom Colors        | pg. 12 - 13 |
| Silk Screening       | pg. 12 - 13 |
| EMI/RFI Shielding    | pg. 12 - 13 |
| Custom Window        | pg. 12 - 13 |
| Custom Cutouts/Holes | pg. 12 - 13 |



# HW

## Technical Specifications - RJ Series

RJ

*Raised Cover "HW" configuration - Hinged, 2 cover screws*



### HW Construction

|                                  |  |
|----------------------------------|--|
| <b>Material</b>                  | Hot compression molded fiberglass reinforced polyester                                     |
| <b>Gasket</b>                    | Poured polyurethane seamless gasket provides watertight, dust-tight environmental seal     |
| <b>Pan head screws</b>           | Minimizes protruding surfaces  |
| <b>Stainless Steel Hardware</b>  | 300 Series stainless used on all external hardware   |
| <b>Molded in Mounting Flange</b> | Integral flange molded in place for ease of mounting                                       |
| <b>Mounting Bosses</b>           | Panel mounting capability for fixed rear panel   |
| <b>Metal inserts</b>             | Back panel utilizes threaded brass inserts accepting 10-32 screws                          |
| <b>Soft Edge Design</b>          | Rounded edges, minimal protrusions or exposed pocket areas for assembly of dust and debris |
| <b>Raised cover</b>              | Extended depth in cover  |

### HW Industry Standards

|                                  |  |
|----------------------------------|--|
| <b>UL/cUL 50</b>                 | File E64358 Type 1, 3R, 4X, 6P, 12                 |
| <b>NEMA 250</b>                  | Type 1, 3R, 4X, 6P, 12                             |
| <b>CSA Std C22.2</b>             | File LR069014 Type 1, 3R, 4X, 6P, 12               |
| <b>Temperature Range</b>         | (-76°F to +274°F) (-60°C to +134°C)                |
| <b>Flammability Rating</b>       | UL94-5V  |
| <b>Self Extinguishing</b>        | Non-halogenated, Non-flame propagating             |
| <b>Chemical Resistance</b>       | Full chemical resistance charts listed in appendix |
| <b>NFPA No. 101 Flame Spread</b> | Class A (1)  |

NOTES:

### HW Accessories

#### Back Panels

|                             |        |               |
|-----------------------------|--------|---------------|
| <b>Aluminum</b>             | BP__AL | pg. 149 - 150 |
| <b>Fiberglass</b>           | BP__FG | pg. 149 - 150 |
| <b>Stainless Steel</b>      | BP__SS | pg. 149 - 150 |
| <b>Painted Carbon Steel</b> | BP__CS | pg. 149 - 150 |

#### Accessories

|                                     |               |
|-------------------------------------|---------------|
| <b>Drain &amp; Breather Vents</b>   | pg. 144, 146  |
| <b>Hole Plugs</b>                   | pg. 145       |
| <b>Assorted Hubs and Cord Grips</b> | pg. 145, 148  |
| <b>All Other Accessories</b>        | pg. 144 - 159 |

### HW Modifications

|                             |             |
|-----------------------------|-------------|
| <b>Custom Colors</b>        | pg. 12 - 13 |
| <b>Silk Screening</b>       | pg. 12 - 13 |
| <b>EMI/RFI Shielding</b>    | pg. 12 - 13 |
| <b>Custom Window</b>        | pg. 12 - 13 |
| <b>Custom Cutouts/Holes</b> | pg. 12 - 13 |





# Technical Specifications - RJ Series

## Raised Cover "HPL" configuration - Hinged, padlock latch



### HPL Construction

|                                  |  |
|----------------------------------|--|
| <b>Material</b>                  | Hot compression molded fiberglass reinforced polyester                                     |
| <b>Gasket</b>                    | Poured polyurethane seamless gasket provides watertight, dust-tight environmental seal     |
| <b>Stainless Steel Hardware</b>  | 300 Series stainless used on all external hardware   |
| <b>Molded in Mounting Flange</b> | Integral flange molded in place for ease of mounting                                       |
| <b>Mounting Bosses</b>           | Panel mounting capability for fixed rear panel   |
| <b>Metal inserts</b>             | Back panel utilizes threaded brass inserts accepting 10-32 screws                          |
| <b>Soft Edge Design</b>          | Rounded edges, minimal protrusions or exposed pocket areas for assembly of dust and debris |
| <b>Raised cover</b>              | Extended depth in cover  |

### HPL Industry Standards

|                                  |  |
|----------------------------------|--|
| <b>UL/cUL 50</b>                 | File E64358 Type 1, 3R, 4X, 6P, 12                 |
| <b>NEMA 250</b>                  | Type 1, 3R, 4X, 6P, 12                             |
| <b>CSA Std C22.2</b>             | File LR069014 Type 1, 3R, 4X, 6P, 12               |
| <b>Temperature Range</b>         | (-76°F to +274°F) (-60°C to +134°C)                |
| <b>Flammability Rating</b>       | UL94-5V  |
| <b>Self Extinguishing</b>        | Non-halogenated, Non-flame propagating             |
| <b>Chemical Resistance</b>       | Full chemical resistance charts listed in appendix |
| <b>NFPA No. 101 Flame Spread</b> | Class A (1)  |

NOTES:

### HPL Accessories

#### Back Panels

|                             |       |               |
|-----------------------------|-------|---------------|
| <b>Aluminum</b>             | BP_AL | pg. 149 - 150 |
| <b>Fiberglass</b>           | BP_FG | pg. 149 - 150 |
| <b>Stainless Steel</b>      | BP_SS | pg. 149 - 150 |
| <b>Painted Carbon Steel</b> | BP_CS | pg. 149 - 150 |

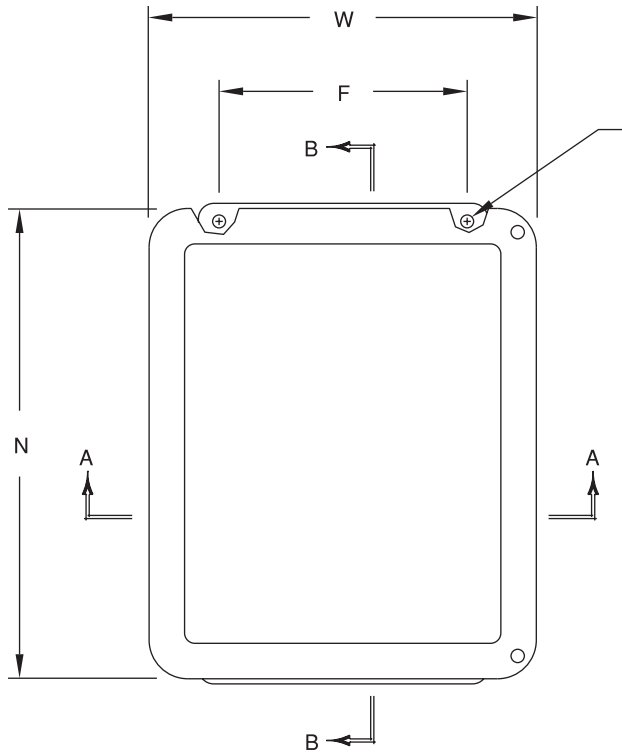
#### Accessories

|                                     |               |
|-------------------------------------|---------------|
| <b>Drain &amp; Breather Vents</b>   | pg. 144, 146  |
| <b>Hole Plugs</b>                   | pg. 145       |
| <b>Assorted Hubs and Cord Grips</b> | pg. 145, 148  |
| <b>All Other Accessories</b>        | pg. 144 - 159 |

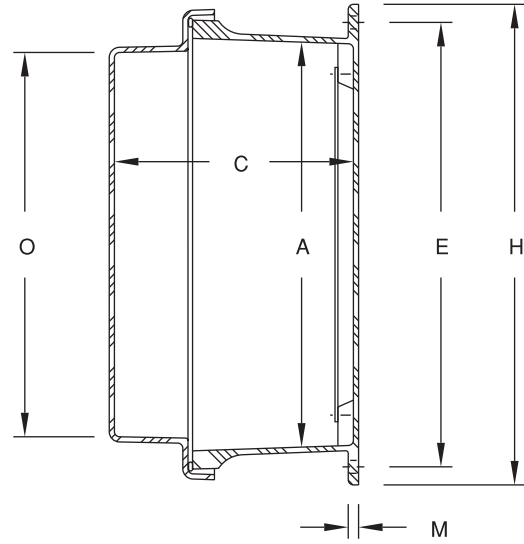
### HPL Modifications

|                             |             |
|-----------------------------|-------------|
| <b>Custom Colors</b>        | pg. 12 - 13 |
| <b>Silk Screening</b>       | pg. 12 - 13 |
| <b>EMI/RFI Shielding</b>    | pg. 12 - 13 |
| <b>Custom Window</b>        | pg. 12 - 13 |
| <b>Custom Cutouts/Holes</b> | pg. 12 - 13 |

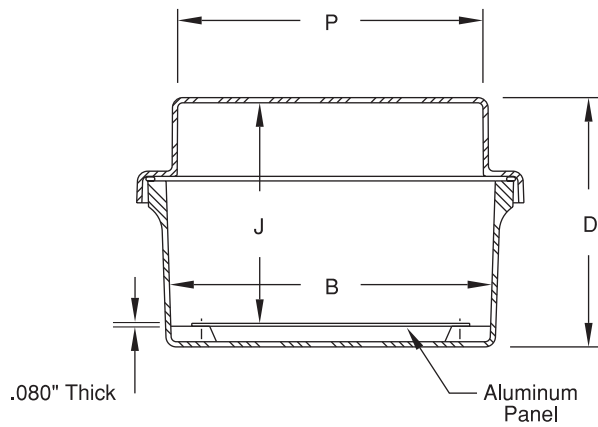
# RJ Series Opaque Cover Technical Drawings



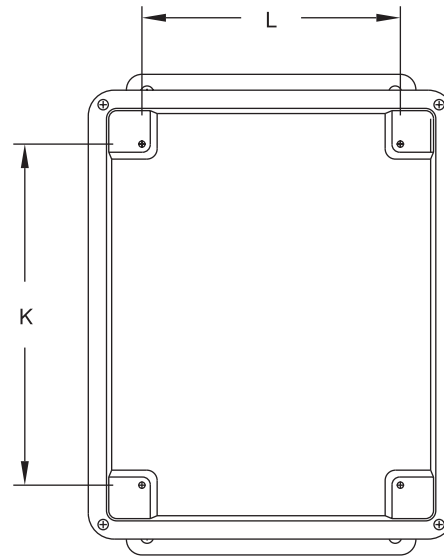
HOLE DIA.  
4 PLC'S.



SECTION B-B



SECTION A-A



FRONT VIEW  
WITHOUT COVER

## RJ Series Opaque Cover Technical Drawings

### RJ Series Opaque Cover Enclosures

| SIZE ID NUMBER                                | OVERALL H X W X D                          | INSIDE A X B X C                           | MOUNTING E X F               | J             | K              | L              | M           | N              | O              | P              | HOLE DIA.   | SHIPPING WEIGHT | PANEL NUMBER |
|---|--|--|------------------------------|---------------|----------------|----------------|-------------|----------------|----------------|----------------|-------------|-----------------|--------------|
| RJ604W<br>RJ604HW<br>RJ604HLL<br>RJ604HPL     | 7.47 x 5.47 x 6.21<br>(190 x 139 x 158)    | 5.84 x 3.85 x 5.95<br>(148 x 98 x 151)     | 6.75 x 2.00<br>(171 x 51)    | 5.51<br>(140) | 4.25<br>(108)  | 2.25<br>(57)   | 0.25<br>(6) | 7.45<br>(189)  | 5.31<br>(135)  | 3.34<br>(85)   | 0.31<br>(8) | 2.60 lbs.       | BP64*        |
| RJ606W<br>RJ606HW<br>RJ606HLL<br>RJ606HPL     | 7.50 x 7.53 x 6.32<br>(191 x 191 x 161)    | 5.72 x 5.72 x 5.97<br>(145 x 145 x 152)    | 6.75 x 4.00<br>(171 x 101)   | 5.49<br>(139) | 4.25<br>(108)  | 4.25<br>(108)  | 0.25<br>(6) | 7.53<br>(191)  | 5.34<br>(136)  | 5.31<br>(135)  | 0.31<br>(8) | 3.10 lbs.       | BP66*        |
| RJ806W<br>RJ806HW<br>RJ806HLL<br>RJ806HPL     | 9.63 x 7.52 x 6.20<br>(245 x 191 x 158)    | 7.73 x 5.74 x 5.95<br>(196 x 146 x 151)    | 8.88 x 4.00<br>(225 x 101)   | 5.49<br>(139) | 6.25<br>(159)  | 4.25<br>(108)  | 0.25<br>(6) | 9.36<br>(238)  | 7.25<br>(185)  | 5.28<br>(134)  | 0.31<br>(8) | 3.70 lbs.       | BP86*        |
| RJ808W<br>RJ808HW<br>RJ808HPL                 | 9.56 x 9.38 x 6.25<br>(243 x 238 x 159)    | 7.73 x 7.73 x 6.00<br>(196 x 196 x 152)    | 8.75 x 6.00<br>(222 x 152)   | 5.42<br>(138) | 6.25<br>(159)  | 6.25<br>(159)  | 0.25<br>(6) | 9.38<br>(238)  | 7.17<br>(182)  | 7.17<br>(182)  | 0.31<br>(8) | 4.20 lbs.       | BP88*        |
| RJ1008W<br>RJ1008HW<br>RJ1008HLL<br>RJ1008HPL | 11.63 x 9.37 x 6.58<br>(295 x 238 x 167)   | 9.73 x 7.73 x 6.33<br>(247 x 196 x 161)    | 10.75 x 6.00<br>(273 x 152)  | 5.87<br>(149) | 8.25<br>(209)  | 6.25<br>(159)  | 0.25<br>(6) | 11.38<br>(289) | 9.3<br>(236)   | 7.38<br>(188)  | 0.31<br>(8) | 5.20 lbs.       | BP108*       |
| RJ1210W<br>RJ1210HW<br>RJ1210HLL<br>RJ1210W   | 13.56 x 11.43 x 6.58<br>(344 x 291 x 167)  | 11.79 x 9.80 x 6.32<br>(299 x 249 x 161)   | 12.75 x 8.00<br>(324 x 203)  | 5.87<br>(149) | 10.25<br>(260) | 8.25<br>(210)  | 0.25<br>(6) | 13.41<br>(341) | 11.2<br>(284)  | 9.23<br>(234)  | 0.31<br>(8) | 6.70 lbs.       | BP1210*      |
| RJ1212W<br>RJ1212HW<br>RJ1212HLL<br>RJ1212HPL | 13.56 x 13.38 x 7.72<br>(344 x 340 x 196)  | 11.70 x 11.70 x 7.47<br>(297 x 297 x 190)  | 12.75 x 10.00<br>(324 x 254) | 6.89<br>(175) | 10.25<br>(260) | 10.25<br>(260) | 0.25<br>(6) | 13.38<br>(340) | 11.17<br>(284) | 11.17<br>(284) | 0.31<br>(8) | 8.90 lbs.       | BP1212*      |
| RJ1412W<br>RJ1412HW<br>RJ1412HLL<br>RJ1412HPL | 15.50 x 13.38 x 7.69<br>(394 x 340 x 195)  | 13.50 x 11.52 x 7.45<br>(343 x 293 x 189)  | 14.63 x 10.00<br>(372 x 254) | 6.86<br>(174) | 12.25<br>(311) | 10.25<br>(260) | 0.25<br>(6) | 15.42<br>(392) | 13.2<br>(335)  | 11.16<br>(284) | 0.31<br>(8) | 10.20 lbs.      | BP1412*      |
| RJ1614W<br>RJ1614HW<br>RJ1614HLL<br>RJ1614HPL | 17.53 x 15.43 x 7.68<br>(445 x 392 x 195)  | 15.60 x 13.56 x 7.45<br>(396 x 344 x 189)  | 16.75 x 12.00<br>(425 x 305) | 6.85<br>(174) | 14.25<br>(362) | 12.25<br>(311) | 0.25<br>(6) | 17.43<br>(443) | 15.2<br>(386)  | 13.24<br>(336) | 0.31<br>(8) | 12.30 lbs.      | BP1614*      |
| RJ1816W<br>RJ1816HW<br>RJ1816HLL<br>RJ1816HPL | 19.63 x 17.48 x 10.63<br>(499 x 444 x 270) | 17.69 x 15.69 x 10.31<br>(449 x 399 x 262) | 18.88 x 12.00<br>(479 x 305) | 9.86<br>(250) | 16.25<br>(413) | 14.25<br>(362) | 0.25<br>(6) | 19.49<br>(495) | 17.25<br>(438) | 15.25<br>(387) | 0.31<br>(8) | 19.50 lbs.      | BP1816*      |
| RJ2016W<br>RJ2016HW<br>RJ2016HLL<br>RJ2016HPL | 22.00 x 17.56 x 10.63<br>(559 x 446 x 270) | 19.72 x 15.72 x 10.33<br>(501 x 399 x 262) | 21.25 x 10.00<br>(540 x 254) | 9.86<br>(250) | 18.25<br>(464) | 14.25<br>(362) | 0.25<br>(6) | 21.56<br>(548) | 19.31<br>(490) | 15.39<br>(391) | 0.31<br>(8) | 21.40 lbs.      | BPJ2016*     |

All measures are in inches, items in parentheses are in millimeters.

\* Panel ordered separately.