

Project		Catalog #		Type	
Prepared by		Notes		Date	



# HALO

## RL56 | LED 600 Series

5"/6" LED Recessed Retrofit Module-Trim

### Typical Applications

Residential

### Interactive Menu

- Order Information [page 2](#)
- Product Specifications [page 3](#)
- Photometric Data [page 4](#)
- Energy & Performance Data [page 4](#)
- Product Warranty

### Top Product Features

- ENERGY STAR® certified
- 90 CRI: 2700K, 3000K, 3500K, 4000K, or 5000K CCT
- Lumens: 600, 900, 1200
- Retrofits existing 5 or 6" housings with screwbase adapter included"
- Use with 5 and 6" LED housings – new construction and remodel"

### Product Certification

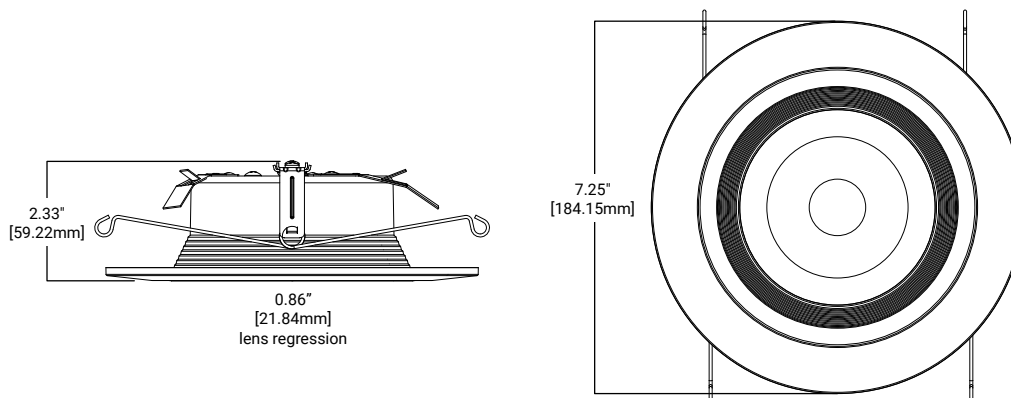


Refer to ENERGY STAR® Certified Products List.  
Can be used to comply with California Title 24 High Efficacy requirements.  
Certified to California Appliance Efficiency Database under J48.

### Product Features



### RL56 Dimensions




[additional product diagrams](#)

## Order Information

SAMPLE ORDER NUMBER: **RL560WH6927-RL56TRMWHB**

Complete unit includes a RL56 Baffle-Trim LED Module and a 5" or 6" compatible housing, ordered separately. Optional accessory designer trim ring ordered separately.

RL56 600 Series	Accessories (order separately)
RL56 600 Series	Accessories (order separately)
<p><b>RL560WH6927</b>= 5"/6" Retrofit Baffle - Trim LED Module, 90CRI, 2700K, Matte White  <b>RL560WH6930</b>= 5"/6" Retrofit Baffle - Trim LED Module, 90CRI, 3000K, Matte White  <b>RL560WH6935</b>= 5"/6" Retrofit Baffle - Trim LED Module, 90CRI, 3500K, Matte White  <b>RL560WH6940</b>= 5"/6" Retrofit Baffle - Trim LED Module, 90CRI, 4000K, Matte White  <b>RL560WH6950</b>= 5"/6" Retrofit Baffle - Trim LED Module, 90CRI, 5000K, Matte White</p>	<p><b>Designer Trims</b>  <b>RL56TRMSNB</b>= 5/6" Satin Nickel Trim Ring, Baffle  <b>RL56TRMTBZB</b>= 5/6" Tuscan Bronze Trim Ring, Baffle  <b>RL56TRMWHB</b>= 5/6" White Paintable Trim Ring, Baffle  <b>RL56TRMMBB</b>= 5/6" Matte Black Trim Ring, Baffle  <b>RL56TRMSN</b>= 5/6" Satin Nickel Trim Ring  <b>RL56TRMTBZ</b>= 5/6" Tuscan Bronze Trim Ring  <b>RL56TRMWH</b>= 5/6" White Paintable Trim Ring  <b>RL56TRMMB</b>= 5/6" Matte Black Trim Ring  <b>OT400P</b>= Oversize Flat White Metal Trim Ring 6" I.D. x 9-1/4" O.D. (ring slips behind RL56 ring, in stepped configuration)  <b>OT403P</b>= Oversize White Plastic Trim Ring 6" I.D. x 8" O.D. (ring slips behind RL56 ring, in stepped configuration)  <b>TRM690WH</b>= Oversize Matte White Metal Trim Ring. Designed for RL560 ring to inset into oversize ring for an even (non-stepped) trim surface  <b>HE26LED</b>= Replacement screw base adapter (one included with unit)</p>  <p>E26 Screw base adapter for retrofit (included)</p>

### Housing Compatibility

#### Compatible Halo LED Housings with LED luminaire connector (high-efficacy compliant)

<p><b>Halo LED 5-inch</b>  <b>H550ICAT</b>= 5" LED, Insulated Ceiling, Air-Tite, New Construction Housing  <b>H550RICAT</b>= 5" LED, Insulated Ceiling, Air-Tite, Remodel Housing  <b>E550ICAT</b>= 5" LED, Insulated Ceiling, Air-Tite, New Construction Housing  <b>E550RICAT</b>= 5" LED, Insulated Ceiling, Air-Tite, Remodel Housing</p>	<p><b>Halo LED 6-inch</b>  <b>H750ICAT</b>= 6" LED, Insulated Ceiling, Air-Tite, New Construction Housing  <b>H750RICAT</b>= 6" LED, Insulated Ceiling, Air-Tite, Remodel Housing  <b>H750T</b>= 6" LED, Non-IC, Air-Tite, New Construction Housing  <b>H750TCP</b>= 6" LED, Non-IC, New Construction/Remodel Chicago Plenum Housing  <b>H750RINTD010</b>= 6" LED, Non-IC, New Construction/Remodel Chicago Plenum Housing  <b>H2750ICAT</b>= 6" LED, Shallow, Insulated Ceiling, Air-Tite, New Construction (use with 691X, 694X, 696X trims only)  <b>H2750RICAT</b>= 6" LED, Shallow, Insulated Ceiling, Air-Tite, Remodel (use with 691X, 694X, 696X trims only)  <b>E750ICAT</b>= 6" LED, Insulated Ceiling, Air-Tite, New Construction Housing  <b>E750RICAT</b>= 6" LED, Insulated Ceiling, Air-Tite, Remodel Housing</p>
---	--

### Housing Compatibility

#### Halo LED Retrofit Enclosures

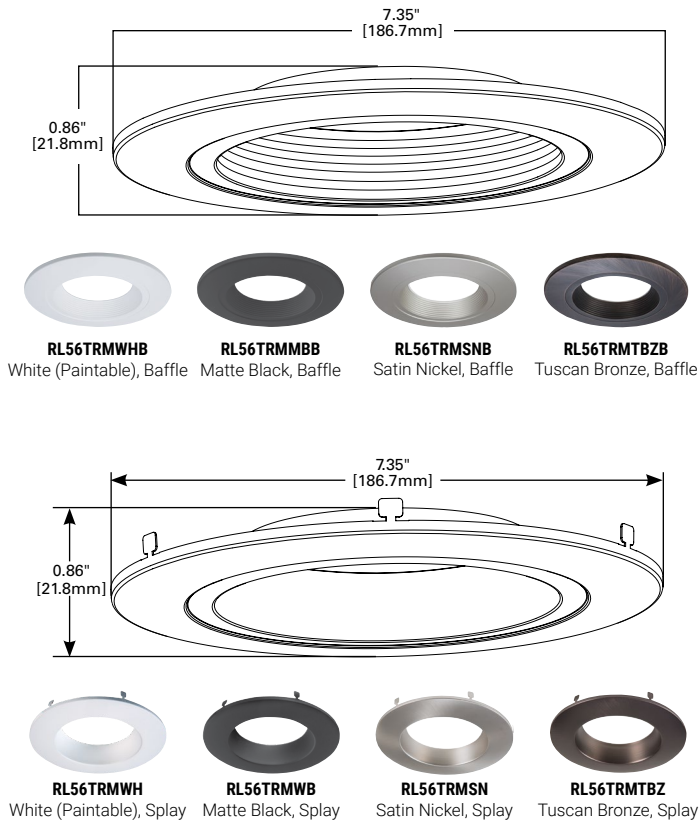
<p><b>Halo LED retrofit</b>  <b>ML7BRXFK</b>= 6" Retrofit Enclosure, Non-IC, BX Whip  <b>ML7E26RFK</b>= 6" Retrofit Enclosure, Non-IC, E26 Screw base Interface</p>	
---	--

### Housing Compatibility

#### Compatible Halo Incandescent E26 Screwbase Housings

<p><b>Halo Standard Housings 5-inch</b>  <b>H5ICAT</b>= 5" Insulated Ceiling, Air-Tite New Construction Housing  <b>H5RICAT</b>= 5" Insulated Ceiling, Air-Tite Remodel Housing  <b>H5ICATNB</b>= 5" Insulated Ceiling, Air-Tite New Construction Housing, No Socket Bracket  <b>H5T</b>= 5" Non-IC, New Construction Housing  <b>H5RT</b>= 5" Non-IC, Remodel Housing  <b>H25ICAT</b>= 5" Shallow, Insulated Ceiling, Air-Tite New Construction  <b>H25ICATNB</b>= 5" Shallow, Insulated Ceiling, Air-Tite New Construction, No Socket Bracket  <b>H5TNB</b>= 5" Non-IC, New Construction Housing, No Socket Bracket  <b>E5ICAT</b>= 5" Insulated Ceiling, Air-Tite New Construction Housing  <b>E5RICAT</b>= 5" Insulated Ceiling, Air-Tite Remodel Housing  <b>E5ICATNB</b>= 5" Insulated Ceiling, Air-Tite New Construction Housing, No Socket Bracket  <b>E5TAT</b>= 5" Non-IC, New Construction Housing  <b>E5RTAT</b>= 5" Non-IC, Remodel Housing  <b>E5TATNB</b>= 5" Non-IC, New Construction Housing, No Socket Bracket</p> <p><b>Halo Standard Housings 6-inch</b>  <b>H7ICAT</b>= 6" Insulated Ceiling, Air-Tite New Construction Housing  <b>H7RICAT</b>= 6" Insulated Ceiling, Air-Tite Remodel Housing  <b>H7ICT</b>= 6" Insulated Ceiling, New Construction Housing  <b>H7RICT</b>= 6" Insulated Ceiling, Remodel Housing  <b>H7ICATNB</b>= 6" Insulated Ceiling, Air-Tite New Construction Housing, No Socket Bracket</p>	<p><b>H7ICTNB</b>= 6" Insulated Ceiling, New Construction Housing, No Socket Bracket  <b>H7T</b>= 6" Non-IC, New Construction Housing  <b>H7RT</b>= 6" Non-IC, Remodel Housing  <b>H7TNB</b>= 6" Non-IC, New Construction Housing, No Socket Bracket  <b>H7TCP</b>= 6" Non-IC, Chicago Plenum, New Construction/Remodel Housing  <b>H7UICAT</b>= 6" Insulated Ceiling, Universal, Air-Tite, New Construction Housing  <b>H27ICAT</b>= 6" Shallow, Insulated Ceiling, Air-Tite New Construction  <b>H27RICAT</b>= 6" Shallow, Insulated Ceiling, Air-Tite Remodel Housing  <b>H27T</b>= 6" Shallow, Non-IC, New Construction Housing  <b>H27RT</b>= 6" Shallow, Non-IC, Remodel Housing  <b>E27ICAT</b>= 6" Shallow, Insulated Ceiling, Air-Tite New Construction  <b>E27RICAT</b>= 6" Shallow, Insulated Ceiling, Air-Tite Remodel Housing  <b>E27TAT</b>= 6" Shallow, Non-IC, New Construction Housing  <b>E27RTAT</b>= 6" Shallow, Non-IC, Remodel Housing  <b>E7ICAT</b>= 6" Insulated Ceiling, Air-Tite New Construction Housing  <b>E7RICAT</b>= 6" Insulated Ceiling, Air-Tite Remodel Housing  <b>E7ICATNB</b>= 6" Insulated Ceiling, Air-Tite New Construction Housing, No Socket Bracket  <b>E7TAT</b>= 6" Non-IC, New Construction Housing  <b>E7RTAT</b>= 6" Non-IC, Remodel Housing  <b>E7TATNB</b>= 6" Non-IC, New Construction Housing, No Socket Bracket</p>
---	---

## Designer Trim Dimensions



## Energy Data

RL56 Series (Values at non-dimming line voltage)	
Minimum Starting Temp:	-30°C (-22°F)
EMI/RFI:	FCC Title 47 CFR, Part 15, Class B (Consumer)
Sound Rating:	Class A
Input Voltage:	120V
Power Factor:	>0.90
Input Frequency:	60Hz
THD:	<20%
Input Power:	7.6W – RL560WH6827 7.3W – RL560WH6830, RL560WH6835, RL560WH6840 9.7W – RL560WH6927 8.7W – RL560WH6930, RL560WH6940 9.0W – RL560WH6935
Input Current:	0.15A
Maximum IC (Insulated Ceiling) Ambient Continuous Operating Temperature:	25°C (77°F)
Maximum Non-IC Ambient Continuous Operating Temperature	40°C (104°F)

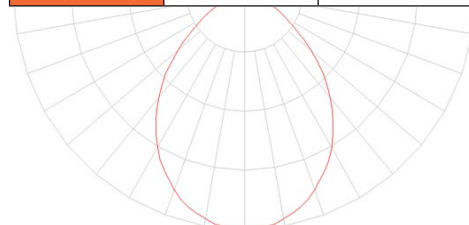
## Product and Photometric Data

### RL56 - 600 Series

Cat No.	CRI	CCT	Lumens	Power (W)	LPW
RL560WH6927	92	2700	630	8.7	72
RL560WH6930	91	3000	645	8.8	73
RL560WH6935	92	3500	650	8.9	73
RL560WH6940	92	4000	690	9.2	75
RL560WH6950	90	5000	715	8.9	80

### RL56-600 Series Photometric\*

RL560WH6930		
Luminaire lumens		645
Input watts		8.8
LER (LPW)		73.3
Spacing Criteria	0-180	1.14
	90-270	1.14
	Diagonal	1.22
Beam angle (degrees)		87.8
Field angle (degrees)		139
Zonal lumen	Lumens	% Lumens
0-30	240	37.2
0-40	375	58.2
0-60	577	89.4
0-90	645	100



\* Tested in accordance with IES LM63. Field results may vary.

## Product Specifications

### Mechanical

#### Module - Trim

- Module construction includes LED, heat sink, reflector, lens, baffle and trim ring
- Regressed baffle
- Heat sink designed to conduct heat away from the LED keeping the junction temperatures below specified maximums, even when installed in insulated ceiling environments. L70 at 50,000 hours.
- Designer trim finish options (sold separately)
  - White (Paintable) Trim Ring
  - Satin Nickel Trim Ring
  - Tuscan Bronze Trim Ring

### Lens

- Regressed lens
- Impact-resistant polycarbonate
- Convex form for lamp-like appearance
- Diffusing for even illumination

### Mounting

- Integral torsion springs and Push-N-Twist clips offer two mounting options
  - Torsion springs are pre-installed and adjust to fit 5" or 6" compatible housings
  - Push-N-Twist universal installation clips are pre-installed and designed to fit 5" or 6" compatible housings

### Housing Compatibility

See Housing Compatibility

### LED

- Color Temperature (CCT)† Options:
  - 90 CRI: 2700K, 3000K, 3500K, 4000K, and 5000K
- Can be used to comply with California Title 24 High Efficacy requirements. Certified to California Appliance Efficiency Database under JA8.

### LED Chromaticity

- A tight chromaticity specification ensures LED color uniformity, sustainable Color Rendering Index (CRI) and Correlated Color Temperature (CCT) over the useful life of the LED
- LED chromaticity of 3 SDCM exceeds ENERGY STAR® color standards per ANSI C78.377- 2008
- High color performance with R9 greater than 50
- Every Halo LED is quality tested, measured, and serialized in a permanent record to register lumens, wattage, CRI and CCT
- Halo LED serialized testing and measurement ensures color and lumen consistency on a
- per-unit basis, and validates long-term product consistency over time

### Electrical

#### Power Connections

- LED connector is a non-screw base luminaire disconnect offering easy installation with the matching Halo 5" and 6" LED housings
- LED Connector meets California Title-24 high

efficacy luminaire requirement for a non-screw base socket, and where required to qualify as a high efficacy luminaire

- The included E26 medium screw-base Edison adapter provides easy retrofit of incandescent housings (see Housing Compatibility)

### Ground Connection

- Separate grounding cable included
- on the module for attachment to the
- housing during installation.

### LED Driver

- With the latest "driver-on-board" electronic technology, the driver is integrated in the module.
- 120V 50/60 Hz constant current dimmable driver provides high-efficiency operation
- Driver meets FCC 47CFR Part 15 EMI/RFI consumer limits for use in residential and commercial installations
- Driver features high power factor and low THD and has integral thermal protection in the event of over temperature or internal failure
- If dimming is not required the fixture can be operated from a standard wall switch

### Dimming

- Designed for continuous dimming capability to nominally 5% with many 120V Leading Edge (LE) and Trailing Edge (TE) Phase Control dimmers. (Dimmers with low end trim adjustment offer greater assurance of achieving 5% level.)
- Consult dimmer manufacturer for compatibility and conditions of use Note: some dimmers require a neutral in the wallbox.

### Warranty

Eaton provides a five year limited warranty on RL56 LED.

### Compliance Labels

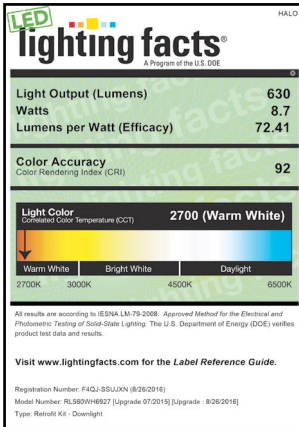
- UL Certified 1598 Luminaire with Halo housings and others – see Housing Compatibility
- UL Certified for Damp Location
- IP56 Ingress Protection rated
- May be installed in housings in direct contact with insulation\*\* and combustible material

### Compliance

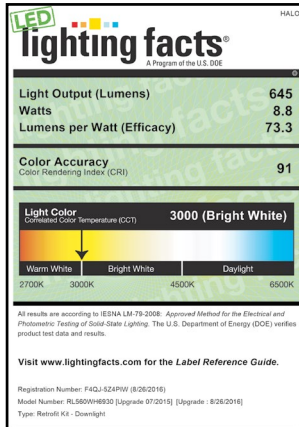
- Airtight certified per ASTM E283 (not exceeding 2.0 CFM under 75 Pascals pressure difference)
- 90 CRI: Can be used to comply with California Title 24 High Efficacy requirements. Certified to California Title 20 Appliance Efficiency Database.\*
- Can be used for International Energy Conservation Code (IECC) high efficiency luminaire compliance.
- Suitable for use in closets. Compliant with NFPA 70, NEC Sec. 410.16 (A)(1) and 410.16 (C)(3).
- ENERGY STAR® Certified luminaire – consult ENERGY STAR® Certified Product List\*
- EMI/RFI per FCC 47CFR Part 15 Class B Consumer limits, suitable for use in residential and commercial installations
- Contains no mercury or lead and RoHS compliant.
- Photometric testing in accordance with IES LM-79
- Lumen maintenance projections in accordance with IES LM-80 and TM-21

## Lighting Facts

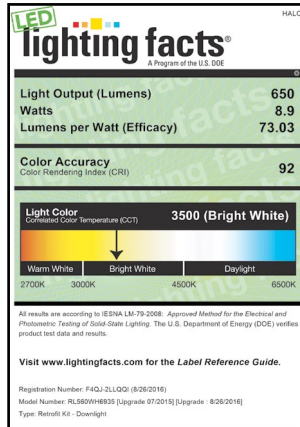
**RL560WH6927**  
2700K Source



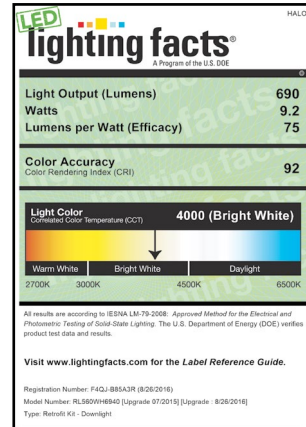
**RL560WH6930**  
3000K Source



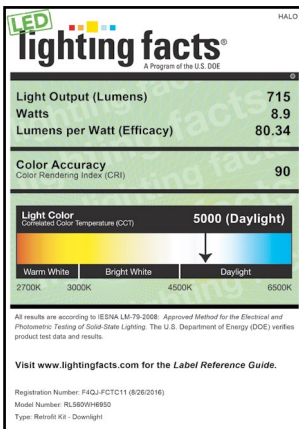
**RL560WH6935**  
3500K Source



**RL560WH6940**  
4000K Source



**RL560WH6950**  
5000K Source



Project		Catalog #		Type	
Prepared by		Notes		Date	



# HALO

## RL56 | LED 600 Series

5"/6" LED Recessed Retrofit Module-Trim

### Typical Applications

Residential

### Interactive Menu

- Order Information [page 2](#)
- Product Specifications [page 3](#)
- Photometric Data [page 4](#)
- Energy & Performance Data [page 4](#)
- Product Warranty

### Top Product Features

- ENERGY STAR® certified
- 90 CRI: 2700K, 3000K, 3500K, 4000K, or 5000K CCT
- Lumens: 600, 900, 1200
- Retrofits existing 5 or 6" housings with screwbase adapter included"
- Use with 5 and 6" LED housings – new construction and remodel"

### Product Certification

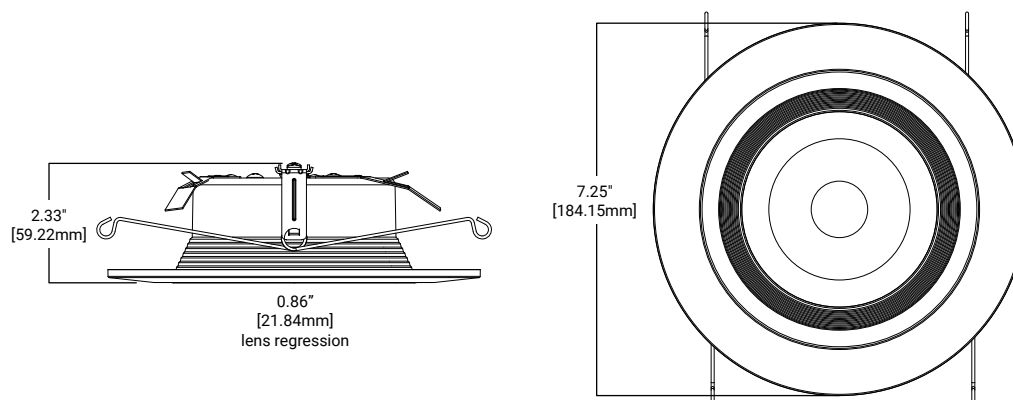


Refer to ENERGY STAR® Certified Products List.  
Can be used to comply with California Title 24 High Efficacy requirements.  
Certified to California Appliance Efficiency Database under J48.

### Product Features



### RL56 Dimensions




[additional product diagrams](#)

## Order Information

SAMPLE ORDER NUMBER: **RL560WH6927-RL56TRMWHB**

Complete unit includes a RL56 Baffle-Trim LED Module and a 5" or 6" compatible housing, ordered separately. Optional accessory designer trim ring ordered separately.

RL56 600 Series	Accessories (order separately)
RL56 600 Series	Accessories (order separately)
<p><b>RL560WH6927</b>= 5"/6" Retrofit Baffle - Trim LED Module, 90CRI, 2700K, Matte White  <b>RL560WH6930</b>= 5"/6" Retrofit Baffle - Trim LED Module, 90CRI, 3000K, Matte White  <b>RL560WH6935</b>= 5"/6" Retrofit Baffle - Trim LED Module, 90CRI, 3500K, Matte White  <b>RL560WH6940</b>= 5"/6" Retrofit Baffle - Trim LED Module, 90CRI, 4000K, Matte White  <b>RL560WH6950</b>= 5"/6" Retrofit Baffle - Trim LED Module, 90CRI, 5000K, Matte White</p>	<p><b>Designer Trims</b>  <b>RL56TRMSNB</b>= 5/6" Satin Nickel Trim Ring, Baffle  <b>RL56TRMTBZB</b>= 5/6" Tuscan Bronze Trim Ring, Baffle  <b>RL56TRMWHB</b>= 5/6" White Paintable Trim Ring, Baffle  <b>RL56TRMMBB</b>= 5/6" Matte Black Trim Ring, Baffle  <b>RL56TRMSN</b>= 5/6" Satin Nickel Trim Ring  <b>RL56TRMTBZ</b>= 5/6" Tuscan Bronze Trim Ring  <b>RL56TRMWH</b>= 5/6" White Paintable Trim Ring  <b>RL56TRMMB</b>= 5/6" Matte Black Trim Ring  <b>OT400P</b>= Oversize Flat White Metal Trim Ring 6" I.D. x 9-1/4" O.D. (ring slips behind RL56 ring, in stepped configuration)  <b>OT403P</b>= Oversize White Plastic Trim Ring 6" I.D. x 8" O.D. (ring slips behind RL56 ring, in stepped configuration)  <b>TRM690WH</b>= Oversize Matte White Metal Trim Ring. Designed for RL560 ring to inset into oversize ring for an even (non-stepped) trim surface  <b>HE26LED</b>= Replacement screw base adapter (one included with unit)</p>  <p>E26 Screw base adapter for retrofit (included)</p>

### Housing Compatibility

#### Compatible Halo LED Housings with LED luminaire connector (high-efficacy compliant)

<p><b>Halo LED 5-inch</b>  <b>H550ICAT</b>= 5" LED, Insulated Ceiling, Air-Tite, New Construction Housing  <b>H550RICAT</b>= 5" LED, Insulated Ceiling, Air-Tite, Remodel Housing  <b>E550ICAT</b>= 5" LED, Insulated Ceiling, Air-Tite, New Construction Housing  <b>E550RICAT</b>= 5" LED, Insulated Ceiling, Air-Tite, Remodel Housing</p>	<p><b>Halo LED 6-inch</b>  <b>H750ICAT</b>= 6" LED, Insulated Ceiling, Air-Tite, New Construction Housing  <b>H750RICAT</b>= 6" LED, Insulated Ceiling, Air-Tite, Remodel Housing  <b>H750T</b>= 6" LED, Non-IC, Air-Tite, New Construction Housing  <b>H750TCP</b>= 6" LED, Non-IC, New Construction/Remodel Chicago Plenum Housing  <b>H750RINTD010</b>= 6" LED, Non-IC, New Construction/Remodel Chicago Plenum Housing  <b>H2750ICAT</b>= 6" LED, Shallow, Insulated Ceiling, Air-Tite, New Construction (use with 691X, 694X, 696X trims only)  <b>H2750RICAT</b>= 6" LED, Shallow, Insulated Ceiling, Air-Tite, Remodel (use with 691X, 694X, 696X trims only)  <b>E750ICAT</b>= 6" LED, Insulated Ceiling, Air-Tite, New Construction Housing  <b>E750RICAT</b>= 6" LED, Insulated Ceiling, Air-Tite, Remodel Housing</p>
---	--

### Housing Compatibility

#### Halo LED Retrofit Enclosures

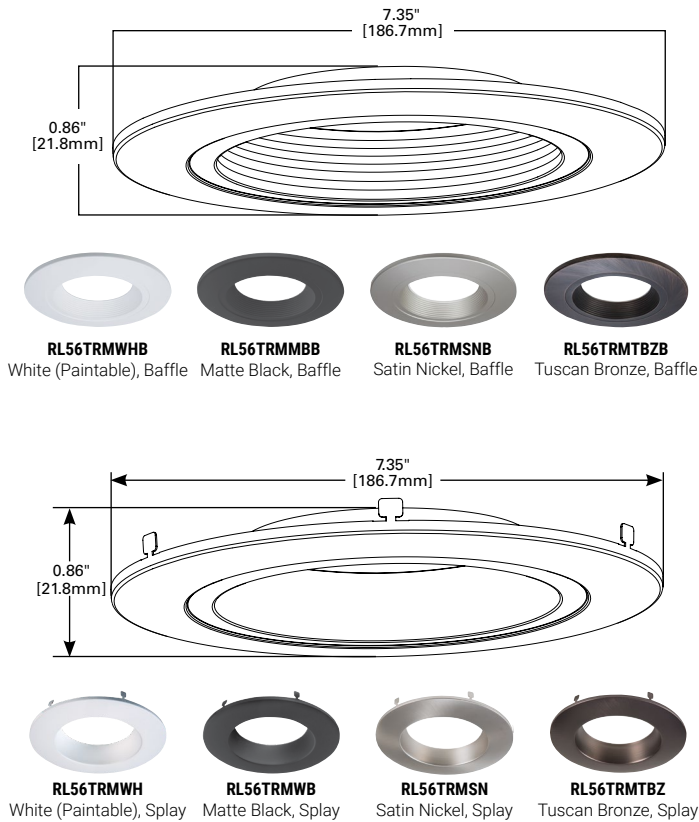
<p><b>Halo LED retrofit</b>  <b>ML7BRXFK</b>= 6" Retrofit Enclosure, Non-IC, BX Whip  <b>ML7E26RFK</b>= 6" Retrofit Enclosure, Non-IC, E26 Screw base Interface</p>	
---	--

### Housing Compatibility

#### Compatible Halo Incandescent E26 Screwbase Housings

<p><b>Halo Standard Housings 5-inch</b>  <b>H5ICAT</b>= 5" Insulated Ceiling, Air-Tite New Construction Housing  <b>H5RICAT</b>= 5" Insulated Ceiling, Air-Tite Remodel Housing  <b>H5ICATNB</b>= 5" Insulated Ceiling, Air-Tite New Construction Housing, No Socket Bracket  <b>H5T</b>= 5" Non-IC, New Construction Housing  <b>H5RT</b>= 5" Non-IC, Remodel Housing  <b>H25ICAT</b>= 5" Shallow, Insulated Ceiling, Air-Tite New Construction  <b>H25ICATNB</b>= 5" Shallow, Insulated Ceiling, Air-Tite New Construction, No Socket Bracket  <b>H5TNB</b>= 5" Non-IC, New Construction Housing, No Socket Bracket  <b>E5ICAT</b>= 5" Insulated Ceiling, Air-Tite New Construction Housing  <b>E5RICAT</b>= 5" Insulated Ceiling, Air-Tite Remodel Housing  <b>E5ICATNB</b>= 5" Insulated Ceiling, Air-Tite New Construction Housing, No Socket Bracket  <b>E5TAT</b>= 5" Non-IC, New Construction Housing  <b>E5RTAT</b>= 5" Non-IC, Remodel Housing  <b>E5TATNB</b>= 5" Non-IC, New Construction Housing, No Socket Bracket</p> <p><b>Halo Standard Housings 6-inch</b>  <b>H7ICAT</b>= 6" Insulated Ceiling, Air-Tite New Construction Housing  <b>H7RICAT</b>= 6" Insulated Ceiling, Air-Tite Remodel Housing  <b>H7ICT</b>= 6" Insulated Ceiling, New Construction Housing  <b>H7RICT</b>= 6" Insulated Ceiling, Remodel Housing  <b>H7ICATNB</b>= 6" Insulated Ceiling, Air-Tite New Construction Housing, No Socket Bracket</p>	<p><b>H7ICTNB</b>= 6" Insulated Ceiling, New Construction Housing, No Socket Bracket  <b>H7T</b>= 6" Non-IC, New Construction Housing  <b>H7RT</b>= 6" Non-IC, Remodel Housing  <b>H7TNB</b>= 6" Non-IC, New Construction Housing, No Socket Bracket  <b>H7TCP</b>= 6" Non-IC, Chicago Plenum, New Construction/Remodel Housing  <b>H7UICAT</b>= 6" Insulated Ceiling, Universal, Air-Tite, New Construction Housing  <b>H27ICAT</b>= 6" Shallow, Insulated Ceiling, Air-Tite New Construction  <b>H27RICAT</b>= 6" Shallow, Insulated Ceiling, Air-Tite Remodel Housing  <b>H27T</b>= 6" Shallow, Non-IC, New Construction Housing  <b>H27RT</b>= 6" Shallow, Non-IC, Remodel Housing  <b>E27ICAT</b>= 6" Shallow, Insulated Ceiling, Air-Tite New Construction  <b>E27RICAT</b>= 6" Shallow, Insulated Ceiling, Air-Tite Remodel Housing  <b>E27TAT</b>= 6" Shallow, Non-IC, New Construction Housing  <b>E27RTAT</b>= 6" Shallow, Non-IC, Remodel Housing  <b>E7ICAT</b>= 6" Insulated Ceiling, Air-Tite New Construction Housing  <b>E7RICAT</b>= 6" Insulated Ceiling, Air-Tite Remodel Housing  <b>E7ICATNB</b>= 6" Insulated Ceiling, Air-Tite New Construction Housing, No Socket Bracket  <b>E7TAT</b>= 6" Non-IC, New Construction Housing  <b>E7RTAT</b>= 6" Non-IC, Remodel Housing  <b>E7TATNB</b>= 6" Non-IC, New Construction Housing, No Socket Bracket</p>
---	---

## Designer Trim Dimensions



## Energy Data

RL56 Series (Values at non-dimming line voltage)	
Minimum Starting Temp:	-30°C (-22°F)
EMI/RFI:	FCC Title 47 CFR, Part 15, Class B (Consumer)
Sound Rating:	Class A
Input Voltage:	120V
Power Factor:	>0.90
Input Frequency:	60Hz
THD:	<20%
Input Power:	7.6W – RL560WH6827 7.3W – RL560WH6830, RL560WH6835, RL560WH6840 9.7W – RL560WH6927 8.7W – RL560WH6930, RL560WH6940 9.0W – RL560WH6935
Input Current:	0.15A
Maximum IC (Insulated Ceiling) Ambient Continuous Operating Temperature:	25°C (77°F)
Maximum Non-IC Ambient Continuous Operating Temperature	40°C (104°F)

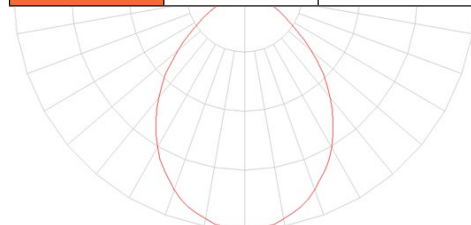
## Product and Photometric Data

### RL56 - 600 Series

Cat No.	CRI	CCT	Lumens	Power (W)	LPW
RL560WH6927	92	2700	630	8.7	72
RL560WH6930	91	3000	645	8.8	73
RL560WH6935	92	3500	650	8.9	73
RL560WH6940	92	4000	690	9.2	75
RL560WH6950	90	5000	715	8.9	80

### RL56-600 Series Photometric\*

RL560WH6930		
Luminaire lumens		645
Input watts		8.8
LER (LPW)		73.3
Spacing Criteria	0-180	1.14
	90-270	1.14
	Diagonal	1.22
Beam angle (degrees)		87.8
Field angle (degrees)		139
Zonal lumen	Lumens	% Lumens
0-30	240	37.2
0-40	375	58.2
0-60	577	89.4
0-90	645	100



\* Tested in accordance with IES LM63. Field results may vary.



## Product Specifications

### Mechanical

#### Module - Trim

- Module construction includes LED, heat sink, reflector, lens, baffle and trim ring
- Regressed baffle
- Heat sink designed to conduct heat away from the LED keeping the junction temperatures below specified maximums, even when installed in insulated ceiling environments. L70 at 50,000 hours.
- Designer trim finish options (sold separately)
  - White (Paintable) Trim Ring
  - Satin Nickel Trim Ring
  - Tuscan Bronze Trim Ring

### Lens

- Regressed lens
- Impact-resistant polycarbonate
- Convex form for lamp-like appearance
- Diffusing for even illumination

### Mounting

- Integral torsion springs and Push-N-Twist clips offer two mounting options
  - Torsion springs are pre-installed and adjust to fit 5" or 6" compatible housings
  - Push-N-Twist universal installation clips are pre-installed and designed to fit 5" or 6" compatible housings

### Housing Compatibility

See Housing Compatibility

### LED

- Color Temperature (CCT)† Options:
  - 90 CRI: 2700K, 3000K, 3500K, 4000K, and 5000K
- Can be used to comply with California Title 24 High Efficacy requirements. Certified to California Appliance Efficiency Database under JA8.

### LED Chromaticity

- A tight chromaticity specification ensures LED color uniformity, sustainable Color Rendering Index (CRI) and Correlated Color Temperature (CCT) over the useful life of the LED
- LED chromaticity of 3 SDCM exceeds ENERGY STAR® color standards per ANSI C78.377- 2008
- High color performance with R9 greater than 50
- Every Halo LED is quality tested, measured, and serialized in a permanent record to register lumens, wattage, CRI and CCT
- Halo LED serialized testing and measurement ensures color and lumen consistency on a
- per-unit basis, and validates long-term product consistency over time

### Electrical

#### Power Connections

- LED connector is a non-screw base luminaire disconnect offering easy installation with the matching Halo 5" and 6" LED housings
- LED Connector meets California Title-24 high

efficacy luminaire requirement for a non-screw base socket, and where required to qualify as a high efficacy luminaire

- The included E26 medium screw-base Edison adapter provides easy retrofit of incandescent housings (see Housing Compatibility)

### Ground Connection

- Separate grounding cable included
- on the module for attachment to the
- housing during installation.

### LED Driver

- With the latest "driver-on-board" electronic technology, the driver is integrated in the module.
- 120V 50/60 Hz constant current dimmable driver provides high-efficiency operation
- Driver meets FCC 47CFR Part 15 EMI/RFI consumer limits for use in residential and commercial installations
- Driver features high power factor and low THD and has integral thermal protection in the event of over temperature or internal failure
- If dimming is not required the fixture can be operated from a standard wall switch

### Dimming

- Designed for continuous dimming capability to nominally 5% with many 120V Leading Edge (LE) and Trailing Edge (TE) Phase Control dimmers. (Dimmers with low end trim adjustment offer greater assurance of achieving 5% level.)
- Consult dimmer manufacturer for compatibility and conditions of use Note: some dimmers require a neutral in the wallbox.

### Warranty

Eaton provides a five year limited warranty on RL56 LED.

### Compliance Labels

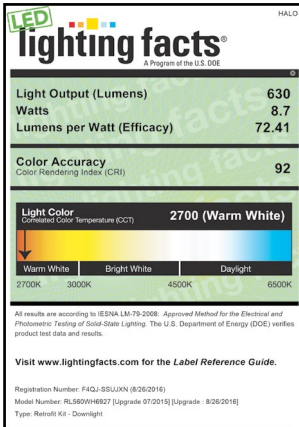
- UL Certified 1598 Luminaire with Halo housings and others – see Housing Compatibility
- UL Certified for Damp Location
- IP56 Ingress Protection rated
- May be installed in housings in direct contact with insulation\*\* and combustible material

### Compliance

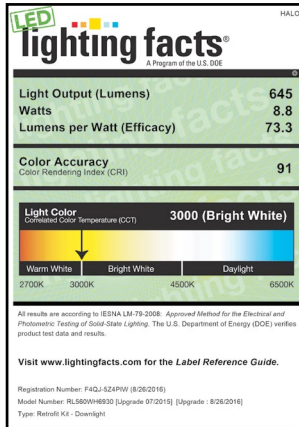
- Airtight certified per ASTM E283 (not exceeding 2.0 CFM under 75 Pascals pressure difference)
- 90 CRI: Can be used to comply with California Title 24 High Efficacy requirements. Certified to California Title 20 Appliance Efficiency Database.\*
- Can be used for International Energy Conservation Code (IECC) high efficiency luminaire compliance.
- Suitable for use in closets. Compliant with NFPA 70, NEC Sec. 410.16 (A)(1) and 410.16 (C)(3).
- ENERGY STAR® Certified luminaire – consult ENERGY STAR® Certified Product List\*
- EMI/RFI per FCC 47CFR Part 15 Class B Consumer limits, suitable for use in residential and commercial installations
- Contains no mercury or lead and RoHS compliant.
- Photometric testing in accordance with IES LM-79
- Lumen maintenance projections in accordance with IES LM-80 and TM-21

## Lighting Facts

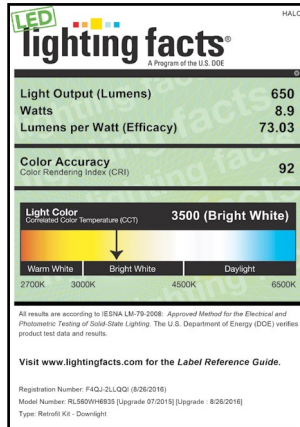
**RL560WH6927**  
2700K Source



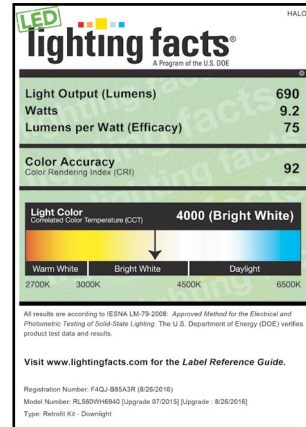
**RL560WH6930**  
3000K Source



**RL560WH6935**  
3500K Source



**RL560WH6940**  
4000K Source



**RL560WH6950**  
5000K Source

