

| | | | | | |
|-------------|--|-----------|--|------|--|
| Project | | Catalog # | | Type | |
| Prepared by | | Notes | | Date | |



HALO

NightLight RL6-DM

6" Night Light LED Retrofit Direct Mount
w/ Remote Driver/Junction Box
1000 Lumen Series

Typical Applications

Residential

Product Certification



Refer to ENERGY STAR® Certified Products List.
Can be used to comply with California Title 24 High Efficiency requirements.
Certified to California Appliance Efficiency Database under JAB.

Product Features



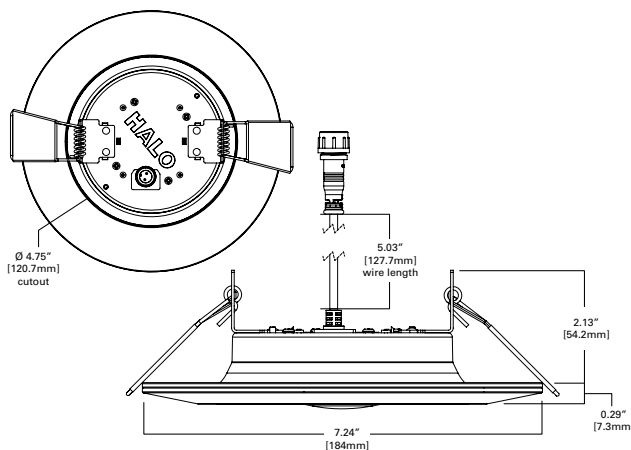
Interactive Menu

- Order Information page 2
- Product Specifications page 3
- Photometric Data page 4
- Energy & Performance Data page 4
- Product Warranty

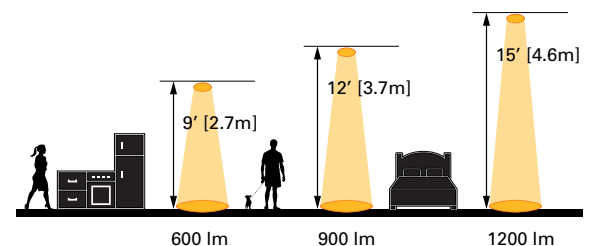
Top Product Features

- 6" LED Direct Mount Night Light with Field Selectable CCT
- Direct mount - does not require recessed housing or junction box
- Select from 5 CCTs via switch: 2700K, 3000K, 3500K, 4000K, 5000K CCT
- Night light provides soft glow at 2000K CCT
- Wet location listed for showers and protected ceilings
- Dimmable to 5% with 120V dimmers

Dimensional and Mounting Details



Scale



additional product diagrams

Order Information

SAMPLE ORDER NUMBER: **RL6069NLWHDMR**

A complete luminaire consists of an LED module and remote driver/junction box.

| Models | CRI/CCT | Finish | Mounting | Packaging |
|--|---|--------------------------------|--------------------------|--|
| RL606 = 6" All-Purpose Retrofit LED module, 1000 lumens (nominal) | 9NL = 90 CRI minimum, 2000K Night Light and white tuning, selectable CCT 2700K-5000K | WH = Matte white baffle | DM = Direct Mount | R = recyclable 4-color unit carton suitable for point of purchase merchandising display |
| Notes | Notes | Notes | Notes | Notes |

Accessories

Accessories

Mounting Frame

HL6RSMF = 6" round and square mounting frame

Extension Cable | seleCCTable Driver/Jbox

HLB06FSEC - 6 ft. extension cable

HLB12FSEC - 12 ft. extension cable

HLB20FSEC - 20 ft. extension cable

Light Modes

Flip wall switch On/Off/On under 1.5 seconds to change light mode.

Downlight



Night Light



Product Specifications

Night Light System

- Choose mode of light based on toggle of light switch

NIGHTLIGHT MODE:

- With wall switch in 'ON' position (downtlight on), cycle wall switch 'OFF' and back to 'ON' within 0.2-1.5 seconds. Fixture should illuminate in nightlight mode.
- Fixture will default back to downtlight mode when wall switch is cycled 'OFF' then 'ON'.

DOWNLIGHT MODE:

- Cycle wall switch to 'ON' position to turn on downtlight.
- Cycle wall switch to 'OFF' position to turn off downtlight.

CCT Select System

- SeleCCTable models use the switch to choose between 2700K, 3000K, 3500K, 4000K, and 5000K CCT

Module - Trim

- Module construction includes LED Array, heat sink, reflector, lens, baffle/trim ring and ceiling ring
- Regressed baffle
- Heat sink designed to conduct heat away from the LED array

LED Array

- Mid power LED array provides a uniform source with high efficiency and no pixilation
- 90 CRI minimum, R9 greater than 50
- Color accuracy within 3 SDCM at the CCT endpoints and 4 SDCM in between endpoints, provide color accuracy and uniformity.
- Color Temperature (CCT) has an selectable range from 2700K to 5000K (factory default 3000K)

Optical Assembly

- Regressed lens
- Impact-resistant polycarbonate
- Convex form and lamp-like appearance
- Diffuse for even illumination

Remote Driver/ Junction Box

- Aluminum driver / junction box with captive hinged junction box cover
- Listed for (6) #12 AWG 90° C splice conductors, 2-in, 2-out plus (2) ground
- (2) ½" conduit pry-outs
- (2) Slide-N-Side™ non-metallic (NM) wire traps all
- Accepts 14-2, 14-3, 12-2, 12-3 U.S and 14-2, 14-3, 12-2 Canadian NM cable
- (3) 4-port push wire nuts with clear caps for quick and reliable mains voltage connections
- Integral keyhole mounting slots facilitate direct mounting to building structure or new construction mounting frame

Driver

- Remote 120V 60 Hz constant current driver provides noise free operation
- Continuous, flicker-free dimming from 100% to 5%.
- Plenum rated inline electrical quick connect provides low voltage connection to fixture fitting

Installation

- Can be installed in 1/2" to 1-1/4" thick ceilings
- Cutout can utilize standard round hole saw sizes, cutout template provided
- Heat treated springs hold fixture fitting securely in the ceiling eliminating light leaks
- Can be removed from below the ceiling for service or replacement

Mounting / Retention

- The RL-DM requires no housing or third party junction box
- The remote enclosure may be used in direct contact with insulation
- Installer must cut template out of drywall and install into aperture with the clips compressed
- When released, the spring clips will rest on to the back side of the drywall
- Not for installation in recessed cans

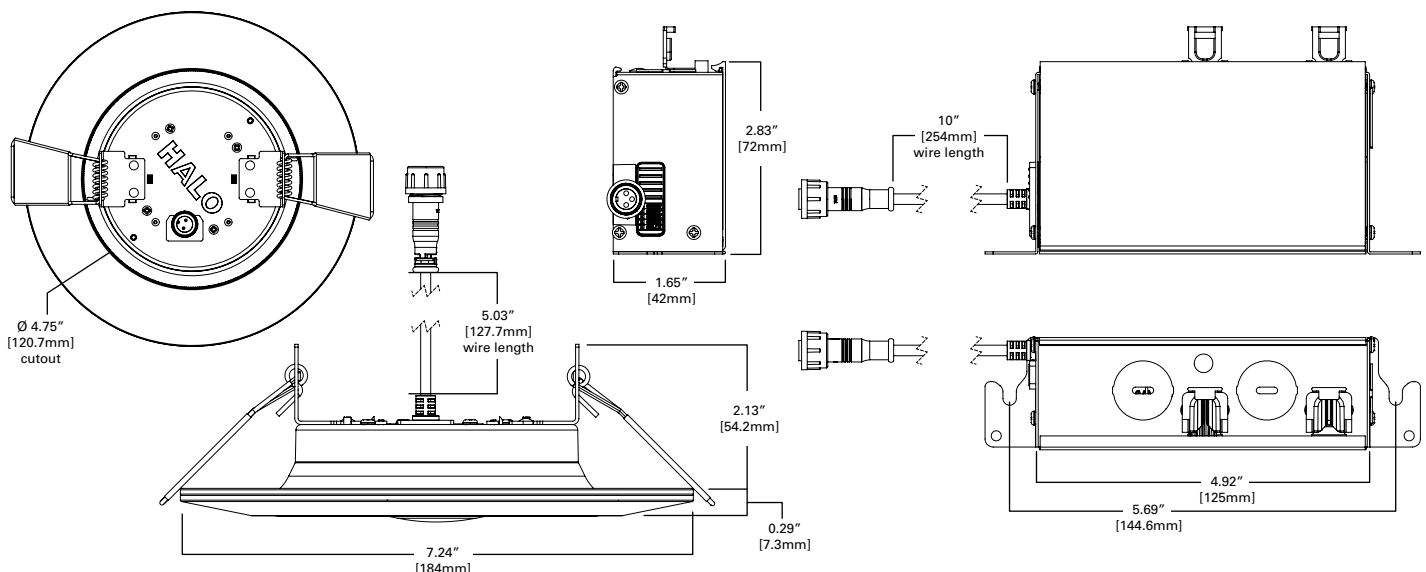
Compliance

- UL Certified for US and Canada
- Wet and Damp location listed
- Airtight certified per ASTM-E283
- Suitable for use in closets when installed in accordance with the NEC 410.16 spacing requirements
- EMI/RFI emissions per FCC 47CFR Part 15 consumer limits
- Contains no mercury or lead and is RoHS compliant
- Photometric testing in accordance with IES LM- 79-08
- Lumen maintenance projections in accordance with IES LM-80-08 and TM-21-11
- Complies with State of California Title 24 JA8-2019-E as a high efficacy luminaire
- International Energy Conservation CoDe (IECC) and Washington State Energy Code compliant
- ENERGY STAR® listed, reference database for current listings

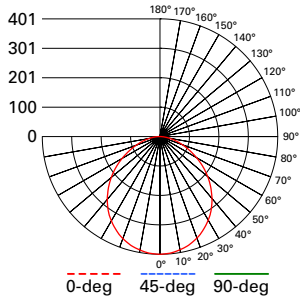
Warranty

- Five year limited warranty, consult website for details. www.cooperlighting.com/legal

Dimensional and Mounting Details



Photometric Data



RL6069NLWHDMR-3000K

Spacing criterion: (0-180) 1.22
(90-270) 1.22
(Diagonal) 1.32

Beam Angle: 104°

Field Angle: 158.1°

Lumens: 1040.9

Input Watts: 11.5 W

Efficacy: 90.5 LPW

Test Report:
RL4069S1EWHR-3000K.ies

| Zonal Lumen | Lumens | % Lumens |
|-------------|--------|----------|
| 0-30 | 308 | 30 |
| 0-40 | 499 | 48 |
| 0-60 | 850 | 82 |
| 0-90 | 1041 | 100 |

| | |
|----------|----------|
| TM-30-15 | Rf = 95 |
| | Rg = 101 |
| CRI/CIE | Ra = 94 |
| | R9 = 68 |

CCT - Range of 2700K- 5000K



104°

Energy Data

| Energy Data @ 3000K | |
|-----------------------|------------|
| Lumens | 600 Series |
| Input Voltage | 120V |
| Input Current | 98 (mA) |
| Input Power | 11.5 (W) |
| Efficiency | 90.4 (LPW) |
| Inrush (A) | 1.35 (A) |
| THD: ≤ 20% | |
| PF: ≥ 0.90 | |
| T Ambient -30 - +40°C | |
| Sound Rating ≤ 22dBA | |

| RL6-DM | CCT | Lumens | Power (W) | LPW |
|----------------------|-------|--------|-----------|------|
| Field Selectable CCT | 2700K | 1005 | 11.5 | 87.4 |
| | 3000K | 1040 | 11.5 | 90.4 |
| | 3500K | 1065 | 11.5 | 92.6 |
| | 4000K | 1085 | 11.5 | 94.3 |
| | 5000K | 1115 | 11.5 | 97.0 |

Product Specifications

RL6069NLWHDMR

| PRODUCT SPECIFICATIONS | |
|---|-------------------------|
| Lumens | 1040 |
| Watts | 11.5 |
| Lumens Per Watt (Efficacy) | 90.4 |
| Color Accuracy (CRI) | 94 |
| Light Color (CCT) Correlated Color Temperature (CCT) | 3000K |
| | |
| | 2700K 3000K 4500K 6500K |

| | | | | | |
|-------------|--|-----------|--|------|--|
| Project | | Catalog # | | Type | |
| Prepared by | | Notes | | Date | |



HALO

NightLight RL6-DM

6" Night Light LED Retrofit Direct Mount
w/ Remote Driver/Junction Box
1000 Lumen Series

Typical Applications

Residential

Product Certification



Refer to ENERGY STAR® Certified Products List.
Can be used to comply with California Title 24 High Efficiency requirements.
Certified to California Appliance Efficiency Database under JAB.

Product Features



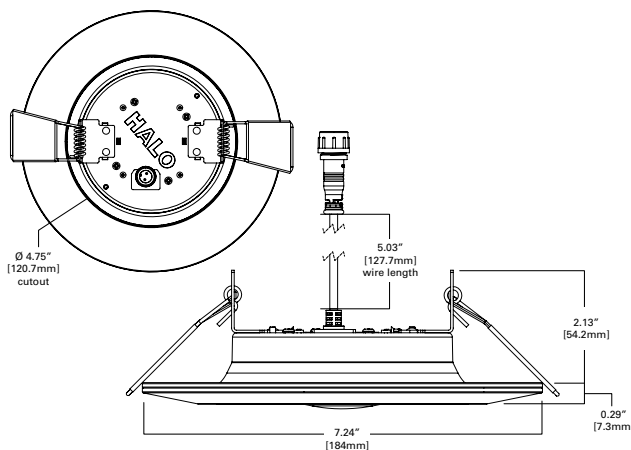
Interactive Menu

- Order Information page 2
- Product Specifications page 3
- Photometric Data page 4
- Energy & Performance Data page 4
- Product Warranty

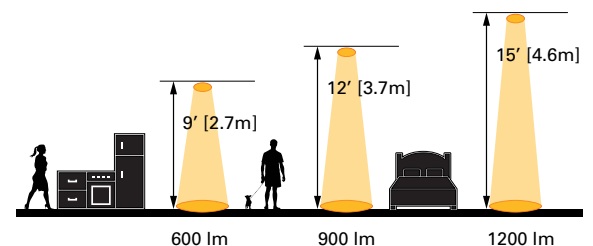
Top Product Features

- 6" LED Direct Mount Night Light with Field Selectable CCT
- Direct mount - does not require recessed housing or junction box
- Select from 5 CCTs via switch: 2700K, 3000K, 3500K, 4000K, 5000K CCT
- Night light provides soft glow at 2000K CCT
- Wet location listed for showers and protected ceilings
- Dimmable to 5% with 120V dimmers

Dimensional and Mounting Details



Scale



additional product diagrams

Order Information

SAMPLE ORDER NUMBER: **RL6069NLWHDMR**

A complete luminaire consists of an LED module and remote driver/junction box.

| Models | CRI/CCT | Finish | Mounting | Packaging |
|--|---|--------------------------------|--------------------------|--|
| RL606 = 6" All-Purpose Retrofit LED module, 1000 lumens (nominal) | 9NL = 90 CRI minimum, 2000K Night Light and white tuning, selectable CCT 2700K-5000K | WH = Matte white baffle | DM = Direct Mount | R = recyclable 4-color unit carton suitable for point of purchase merchandising display |
| Notes | Notes | Notes | Notes | Notes |

Accessories

Accessories

Mounting Frame

HL6RSMF = 6" round and square mounting frame

Extension Cable | seleCCTable Driver/Jbox

HLB06FSEC - 6 ft. extension cable

HLB12FSEC - 12 ft. extension cable

HLB20FSEC - 20 ft. extension cable

Light Modes

Flip wall switch On/Off/On under 1.5 seconds to change light mode.

Downlight



Night Light



Product Specifications

Night Light System

- Choose mode of light based on toggle of light switch

NIGHTLIGHT MODE:

- With wall switch in 'ON' position (downtlight on), cycle wall switch 'OFF' and back to 'ON' within 0.2-1.5 seconds. Fixture should illuminate in nightlight mode.
- Fixture will default back to downtlight mode when wall switch is cycled 'OFF' then 'ON'.

DOWNLIGHT MODE:

- Cycle wall switch to 'ON' position to turn on downtlight.
- Cycle wall switch to 'OFF' position to turn off downtlight.

CCT Select System

- SeleCCTable models use the switch to choose between 2700K, 3000K, 3500K, 4000K, and 5000K CCT

Module - Trim

- Module construction includes LED Array, heat sink, reflector, lens, baffle/trim ring and ceiling ring
- Regressed baffle
- Heat sink designed to conduct heat away from the LED array

LED Array

- Mid power LED array provides a uniform source with high efficiency and no pixilation
- 90 CRI minimum, R9 greater than 50
- Color accuracy within 3 SDCM at the CCT endpoints and 4 SDCM in between endpoints, provide color accuracy and uniformity.
- Color Temperature (CCT) has an selectable range from 2700K to 5000K (factory default 3000K)

Optical Assembly

- Regressed lens
- Impact-resistant polycarbonate
- Convex form and lamp-like appearance
- Diffuse for even illumination

Remote Driver/ Junction Box

- Aluminum driver / junction box with captive hinged junction box cover
- Listed for (6) #12 AWG 90° C splice conductors, 2-in, 2-out plus (2) ground
- (2) ½" conduit pry-outs
- (2) Slide-N-Side™ non-metallic (NM) wire traps all
- Accepts 14-2, 14-3, 12-2, 12-3 U.S and 14-2, 14-3, 12-2 Canadian NM cable
- (3) 4-port push wire nuts with clear caps for quick and reliable mains voltage connections
- Integral keyhole mounting slots facilitate direct mounting to building structure or new construction mounting frame

Driver

- Remote 120V 60 Hz constant current driver provides noise free operation
- Continuous, flicker-free dimming from 100% to 5%.
- Plenum rated inline electrical quick connect provides low voltage connection to fixture fitting

Installation

- Can be installed in 1/2" to 1-1/4" thick ceilings
- Cutout can utilize standard round hole saw sizes, cutout template provided
- Heat treated springs hold fixture fitting securely in the ceiling eliminating light leaks
- Can be removed from below the ceiling for service or replacement

Mounting / Retention

- The RL-DM requires no housing or third party junction box
- The remote enclosure may be used in direct contact with insulation
- Installer must cut template out of drywall and install into aperture with the clips compressed
- When released, the spring clips will rest on to the back side of the drywall
- Not for installation in recessed cans

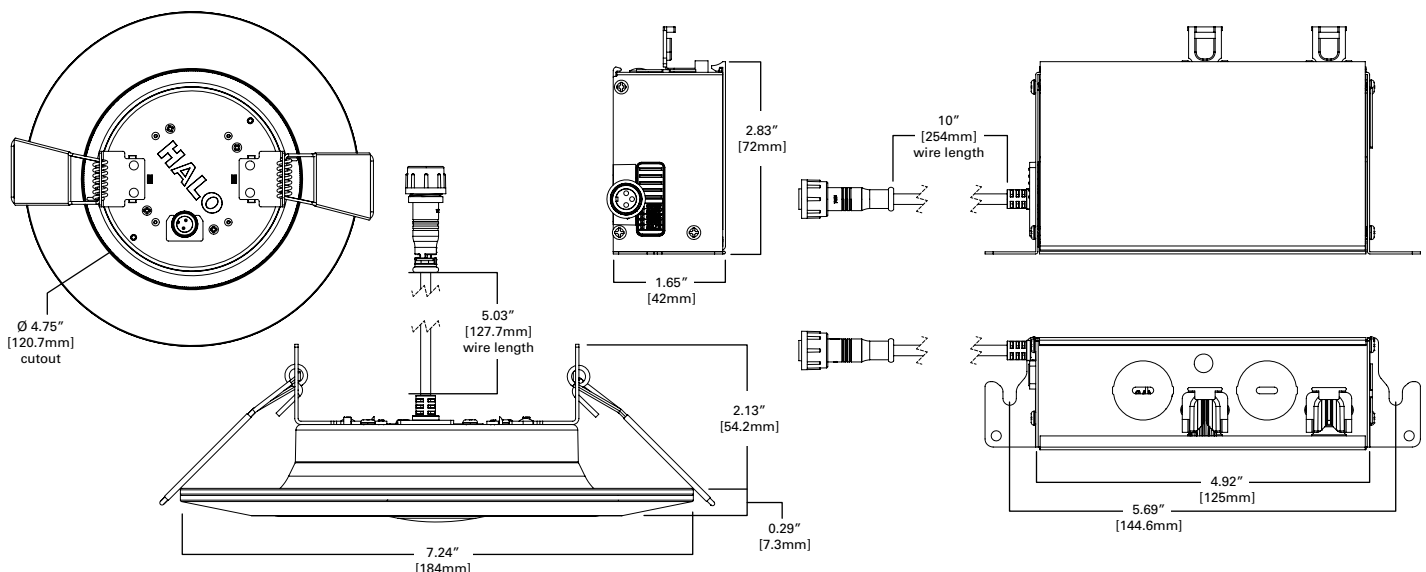
Compliance

- UL Certified for US and Canada
- Wet and Damp location listed
- Airtight certified per ASTM-E283
- Suitable for use in closets when installed in accordance with the NEC 410.16 spacing requirements
- EMI/RFI emissions per FCC 47CFR Part 15 consumer limits
- Contains no mercury or lead and is RoHS compliant
- Photometric testing in accordance with IES LM- 79-08
- Lumen maintenance projections in accordance with IES LM-80-08 and TM-21-11
- Complies with State of California Title 24 JA8-2019-E as a high efficacy luminaire
- International Energy Conservation CoDe (IECC) and Washington State Energy Code compliant
- ENERGY STAR® listed, reference database for current listings

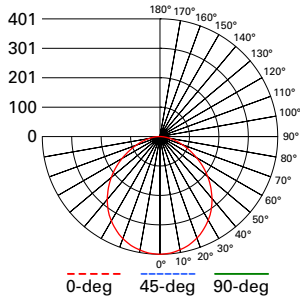
Warranty

- Five year limited warranty, consult website for details. www.cooperlighting.com/legal

Dimensional and Mounting Details



Photometric Data



RL6069NLWHDMR-3000K

Spacing criterion: (0-180) 1.22
(90-270) 1.22
(Diagonal) 1.32

Beam Angle: 104°

Field Angle: 158.1°

Lumens: 1040.9

Input Watts: 11.5 W

Efficacy: 90.5 LPW

Test Report:
RL4069S1EWHR-3000K.ies

| Zonal Lumen | Lumens | % Lumens |
|-------------|--------|----------|
| 0-30 | 308 | 30 |
| 0-40 | 499 | 48 |
| 0-60 | 850 | 82 |
| 0-90 | 1041 | 100 |

| | |
|----------|----------|
| TM-30-15 | Rf = 95 |
| | Rg = 101 |
| CRI/CIE | Ra = 94 |
| | R9 = 68 |

CCT - Range of 2700K- 5000K



104°

Energy Data

| Energy Data @ 3000K | |
|-----------------------|------------|
| Lumens | 600 Series |
| Input Voltage | 120V |
| Input Current | 98 (mA) |
| Input Power | 11.5 (W) |
| Efficiency | 90.4 (LPW) |
| Inrush (A) | 1.35 (A) |
| THD: ≤ 20% | |
| PF: ≥ 0.90 | |
| T Ambient -30 - +40°C | |
| Sound Rating ≤ 22dBA | |

| RL6-DM | CCT | Lumens | Power (W) | LPW |
|----------------------|-------|--------|-----------|------|
| Field Selectable CCT | 2700K | 1005 | 11.5 | 87.4 |
| | 3000K | 1040 | 11.5 | 90.4 |
| | 3500K | 1065 | 11.5 | 92.6 |
| | 4000K | 1085 | 11.5 | 94.3 |
| | 5000K | 1115 | 11.5 | 97.0 |

Product Specifications

RL6069NLWHDMR

| PRODUCT SPECIFICATIONS | |
|---|-------------------------|
| Lumens | 1040 |
| Watts | 11.5 |
| Lumens Per Watt (Efficacy) | 90.4 |
| Color Accuracy (CRI) | 94 |
| Light Color (CCT) Correlated Color Temperature (CCT) | 3000K |
| | |
| | 2700K 3000K 4500K 6500K |