

Caretaker™  
LED Area Luminaire

STREETWORKS



Cooper Lighting  
by **EAT•N**

# An Economical LED Dusk-to-Dawn Solution

Combining high performance, low maintenance and easy installation, the Caretaker™ LED luminaire is a simple, economical answer for dusk-to-dawn lighting needs. Designed for years of worry-free operation, the Caretaker luminaire is the perfect area lighting solution for both full-cutoff needs, or landmark applications where a highly visible light source is desired.

## Construction

- Hinged removable power door for easy maintenance.  
Optional tool-less entry available
- LED driver is mounted directly to removable door
- Fully compatible with ANSI/NEMA open-bottom refractor
- IP66 rated LED module
- UL wet location rated housing
- Rugged, die-cast aluminum construction
- NEMA photocontrol receptacle
- Two-bolt mounting for 1-1/4" to 2" standard pipe  
(1-5/8" to 2-3/8" O.D.)

## Performance and Electrical

- -40°C to 40°C ambient operating temperatures
- 6kV/3kA IEEE 62.41 Class C low surge protection with  
10kV/10kA Class C high surge protection available
- L86 36,000 hours at 25°C, compliant with IESNA TM-21
- 120V/60Hz operation

## Warranty

- Five-year warranty



**Innovation** you can rely on™



### Hinged Removable Power Door

Driver is mounted to the door. Power door hangs securely and can be easily removed. A 6kV/3kA surge protection is integral to driver.



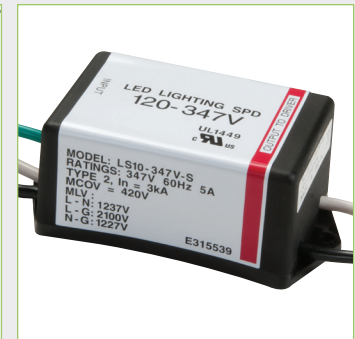
### Quick Disconnects

Connections between power door and housing are made with tool-less quick disconnects.



### ANSI/NEMA Refractor Compatible

Fixture works with standard ANSI/NEMA open-bottom refractor.



### Optional Surge Protection

Optional UL 1449 Listed 10kV/10kA surge protective device protects against common (line-to-ground) and differential (line-to-line) mode surges.

# Ordering Information

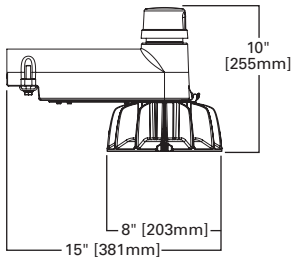
Sample Number: CRTK-A-A08-E-120-5-SR-A

Product Family	Lumen Package	Driver	Voltage	Distribution
CRTK-A=Caretaker Dusk-to-Dawn Area Luminaire	A08=8 LEDs A12=12 LEDs <sup>1</sup>	E=Non-Dimming	120=120V	5=Type V
Options (Add as Suffix)		Color	Accessories (Order Separately)	
S=Shorting Cap 5=120V NEMA Photocontrol Included 10K=10kV UL 1449 Surge Protection Device UL=UL/CSA Listed SR=Small Acrylic Refractor Included	B18=18" Wood Pole Pipe Arm B24=24" Wood Pole Pipe Arm B30=30" Wood Pole Pipe Arm TH=Tool-less Door Hardware WPBKT=Wall or Wood Pole Mounting Bracket V=(2) 5' #14 Leads 5000=5000K CCT	AP=Grey BZ=Bronze BK=Black DP=Dark Platinum GM=Graphite Metallic WH=White A=Raw Aluminum Unfinished (Standard) <sup>1</sup>	RMARROA5=ANSI/NEMA Standard Refractor Assembly SR-CARETAKER=Small Acrylic Refractor	

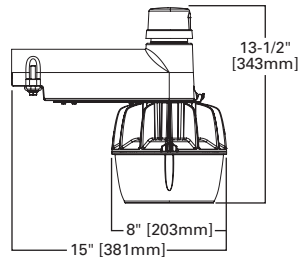
NOTE: <sup>1</sup> Paint required for 12 LEDs at 40°C ambient. Maximum ambient temperature for 12 LEDs unpainted is 25°C.

## Dimensions

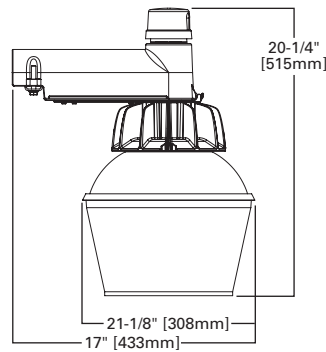
### Full Cutoff



### Small Acrylic Refractor

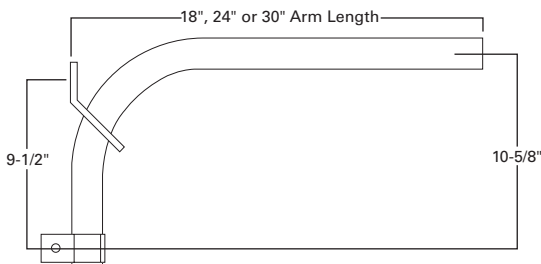


### ANSI/NEMA Standard Refractor Assembly



## Optional Wood Pole Pipe Arm

### 18", 24" or 30" Pipe Arm



## Power and Lumens

Luminaire Wattage (Nominal)	48W	73W	
Type V	Lumens	4,814	6,910
	BUG Rating	2-0-1	3-0-1
Type V with SR	Lumens	4,674	6,630
	BUG Rating	3-3-2	3-3-2

## Lumen Maintenance (8 LEDs)

Ambient Temperature	TM-21 Lumen Maintenance (36,000 Hours)	Theoretical L70 (Hours)
25°C	> 86%	87,000
40°C	> 84%	72,000

## Lumen Maintenance (12 LEDs)

Ambient Temperature	TM-21 Lumen Maintenance (36,000 Hours)	Theoretical L70 (Hours)
25°C	> 83%	69,000
40°C*	> 82%	66,000

\* Painted only.

## Additional Information

Compliances	Technical Data (Electronic LED Driver)	EPA Effective Projected Area (Square Feet)	Shipping Data (Approximate Net Weight)
UL and cUL Wet Location Listed IP66 Rated LED Module 3G Vibration Rated ARRA Compliant DesignLights Consortium® Qualified	>0.9 Power Factor <20% Total Harmonic Distortion 120V 50/60Hz -40°C Minimum Ambient Temperature Rating +25°C Maximum Ambient Temperature Rating	0.67	8.0 lbs. (3.6 kgs.)



NOTE: Specifications and dimensions subject to change without notice.

### Eaton's Cooper Lighting Business

Headquarters  
1121 Highway 74 South  
Peachtree City, GA 30269  
P: 770-486-4800  
www.cooperlighting.com

### Canada Sales

5925 McLaughlin Road  
Mississauga, Ontario L5R 1B8  
P: 905-501-3000  
F: 905-501-3172

### Our Lighting Product Brands

Halo  
Halo Commercial  
Portfolio  
IRiS  
RSA  
Metalux  
Corelite  
Neo-Ray  
Fail-Safe  
MWS  
Ametrix  
Shaper  
io  
Lumark  
McGraw-Edison  
Invue  
Lumière  
Streetworks  
AtLite  
Sure-Lites

### Our Controls Product Brands

Greengate  
iLumin  
Zero 88  
Fifth Light Technology  
iLight (International Only)

Caretaker™  
LED Area Luminaire

STREETWORKS



Cooper Lighting  
by **EAT•N**

# An Economical LED Dusk-to-Dawn Solution

Combining high performance, low maintenance and easy installation, the Caretaker™ LED luminaire is a simple, economical answer for dusk-to-dawn lighting needs. Designed for years of worry-free operation, the Caretaker luminaire is the perfect area lighting solution for both full-cutoff needs, or landmark applications where a highly visible light source is desired.

## Construction

- Hinged removable power door for easy maintenance.  
Optional tool-less entry available
- LED driver is mounted directly to removable door
- Fully compatible with ANSI/NEMA open-bottom refractor
- IP66 rated LED module
- UL wet location rated housing
- Rugged, die-cast aluminum construction
- NEMA photocontrol receptacle
- Two-bolt mounting for 1-1/4" to 2" standard pipe  
(1-5/8" to 2-3/8" O.D.)

## Performance and Electrical

- -40°C to 40°C ambient operating temperatures
- 6kV/3kA IEEE 62.41 Class C low surge protection with  
10kV/10kA Class C high surge protection available
- L86 36,000 hours at 25°C, compliant with IESNA TM-21
- 120V/60Hz operation

## Warranty

- Five-year warranty



**Innovation** you can rely on™



### Hinged Removable Power Door

Driver is mounted to the door. Power door hangs securely and can be easily removed. A 6kV/3kA surge protection is integral to driver.



### Quick Disconnects

Connections between power door and housing are made with tool-less quick disconnects.



### ANSI/NEMA Refractor Compatible

Fixture works with standard ANSI/NEMA open-bottom refractor.



### Optional Surge Protection

Optional UL 1449 Listed 10kV/10kA surge protective device protects against common (line-to-ground) and differential (line-to-line) mode surges.

# Ordering Information

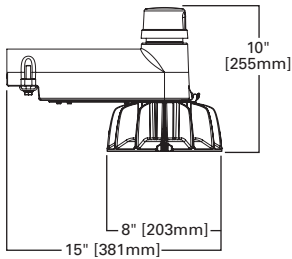
Sample Number: CRTK-A-A08-E-120-5-SR-A

Product Family	Lumen Package	Driver	Voltage	Distribution
CRTK-A=Caretaker Dusk-to-Dawn Area Luminaire	A08=8 LEDs A12=12 LEDs <sup>1</sup>	E=Non-Dimming	120=120V	5=Type V
Options (Add as Suffix)		Color	Accessories (Order Separately)	
S=Shorting Cap 5=120V NEMA Photocontrol Included 10K=10kV UL 1449 Surge Protection Device UL=UL/CSA Listed SR=Small Acrylic Refractor Included	B18=18" Wood Pole Pipe Arm B24=24" Wood Pole Pipe Arm B30=30" Wood Pole Pipe Arm TH=Tool-less Door Hardware WPBKT=Wall or Wood Pole Mounting Bracket V=(2) 5' #14 Leads 5000=5000K CCT	AP=Grey BZ=Bronze BK=Black DP=Dark Platinum GM=Graphite Metallic WH=White A=Raw Aluminum Unfinished (Standard) <sup>1</sup>	RMARROA5=ANSI/NEMA Standard Refractor Assembly SR-CARETAKER=Small Acrylic Refractor	

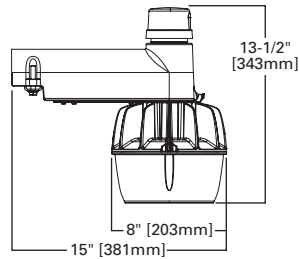
NOTE: <sup>1</sup> Paint required for 12 LEDs at 40°C ambient. Maximum ambient temperature for 12 LEDs unpainted is 25°C.

## Dimensions

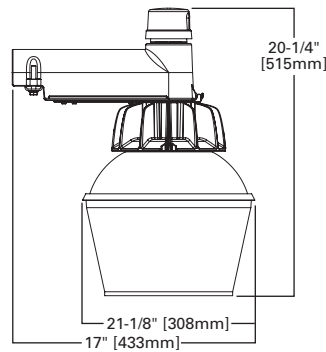
### Full Cutoff



### Small Acrylic Refractor

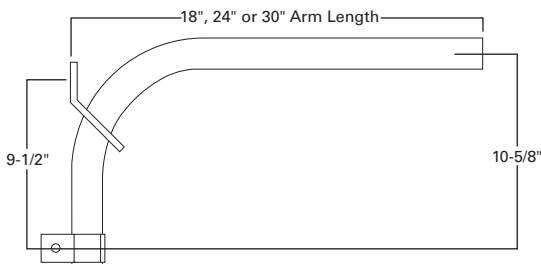


### ANSI/NEMA Standard Refractor Assembly



## Optional Wood Pole Pipe Arm

### 18", 24" or 30" Pipe Arm



## Power and Lumens

Luminaire Wattage (Nominal)	48W	73W	
Type V	Lumens	4,814	6,910
	BUG Rating	2-0-1	3-0-1
Type V with SR	Lumens	4,674	6,630
	BUG Rating	3-3-2	3-3-2

## Lumen Maintenance (8 LEDs)

Ambient Temperature	TM-21 Lumen Maintenance (36,000 Hours)	Theoretical L70 (Hours)
25°C	> 86%	87,000
40°C	> 84%	72,000

## Lumen Maintenance (12 LEDs)

Ambient Temperature	TM-21 Lumen Maintenance (36,000 Hours)	Theoretical L70 (Hours)
25°C	> 83%	69,000
40°C*	> 82%	66,000

\* Painted only.

## Additional Information

Compliances	Technical Data (Electronic LED Driver)	EPA Effective Projected Area (Square Feet)	Shipping Data (Approximate Net Weight)
UL and cUL Wet Location Listed IP66 Rated LED Module 3G Vibration Rated ARRA Compliant DesignLights Consortium® Qualified	>0.9 Power Factor <20% Total Harmonic Distortion 120V 50/60Hz -40°C Minimum Ambient Temperature Rating +25°C Maximum Ambient Temperature Rating	0.67	8.0 lbs. (3.6 kgs.)



NOTE: Specifications and dimensions subject to change without notice.

### Eaton's Cooper Lighting Business

Headquarters  
1121 Highway 74 South  
Peachtree City, GA 30269  
P: 770-486-4800  
www.cooperlighting.com

### Canada Sales

5925 McLaughlin Road  
Mississauga, Ontario L5R 1B8  
P: 905-501-3000  
F: 905-501-3172

### Our Lighting Product Brands

Halo  
Halo Commercial  
Portfolio  
IRiS  
RSA  
Metalux  
Corelite  
Neo-Ray  
Fail-Safe  
MWS  
Ametrix  
Shaper  
io  
Lumark  
McGraw-Edison  
Invue  
Lumière  
Streetworks  
AtLite  
Sure-Lites

### Our Controls Product Brands

Greengate  
iLumin  
Zero 88  
Fifth Light Technology  
iLight (International Only)