

# Eaton's easy lift mounting base for transformers



Featuring Eaton's easy lift mounting base for transformers

The dry-type distribution transformer business has recently invested in and launched an innovative new concept for the packaging and installation of high-volume transformers (75 kVA and below: three-phase; 50 kVA and below: single-phase).

#### The easy lift mounting base features:

- Pallet-less shipping
- 4-inch clearance to facilitate ease of lifting/positioning
- Easy access to mounting holes
- Reduced installation time
- Trapeze mounting accessible
- Lower center of gravity
- Alternative base mounting option
- Field convertible

#### Benefits that these options provide:

##### Labor and time savings

- The easy lift mounting base eliminates the common practice of rocking a transformer off a pallet. It normally requires two people to remove a transformer from a pallet. The easy lift mounting base requires NO pallet; therefore, one person can handle the transformer
- Quicker installation time—Anchors used to secure the transformer to the floor can easily be installed by one person. It is not necessary to remove the front/back covers of the transformer, nor the protective packaging

##### Increased workplace safety

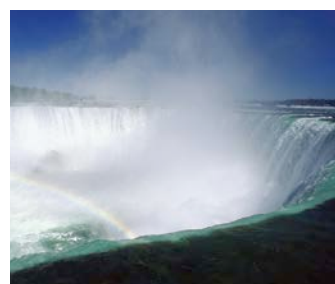
- The pallet-less shipping method eliminates the need to manually separate a transformer from its pallet. There are significant risks to employees of back and foot injuries while attempting to "rock" a transformer off its pallet
- A pallet-less transformer reduces the opportunity to cause damage to the transformer. Dropping a transformer or accidentally tipping it over poses a risk to life and property

##### Environmentally friendly

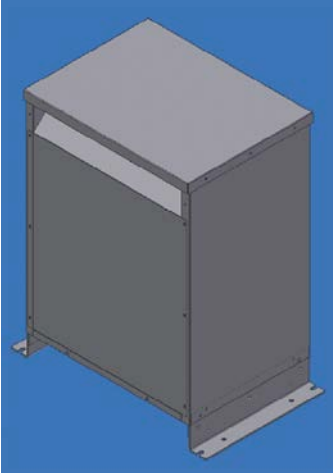
- No pallet means there is less packing material to dispose, conserving landfill resources
- Unbleached cardboard is used for protection during shipment



*Powering Business Worldwide*



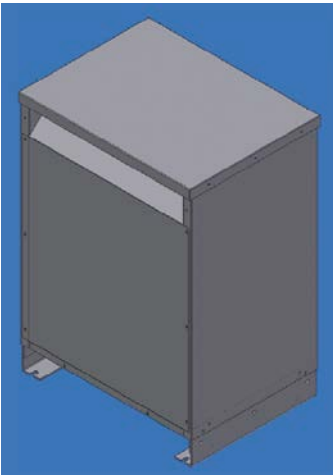
## Easy lift transformer base mounting options



Featuring easy lift "Z" option

### New easy lift mounting base "Z" option—standard—flare out

- 4-inch clearance to facilitate lifting/positioning
- Easy access to mounting holes
- Reduced installation time
- Trapeze mounting accessible
- Pallet-less shipping
- Lower center of gravity



Featuring easy lift "C" option

### New easy lift mounting base "C" option—flare in

- Alternative base mounting option
- 4-inch clearance to facilitate lifting/positioning
- Reduced installation time
- Trapeze mounting accessible
- Pallet-less shipping
- Lower center of gravity
- Field convertible



Enhanced packaging for ventilated transformers

### Enhanced packaging

- Certified to ASTM/ISTA 4169 standards
- Top hat deters stacking of product on top of transformer
- Top hat covers ventilation openings to deter lifting at this point
- Reinforced corner protectors prevent incidental damage in transit

**Eaton**  
1000 Eaton Boulevard  
Cleveland, OH 44122  
United States  
Eaton.com

© 2015 Eaton  
All Rights Reserved  
Printed in USA  
Publication No. PA00904008E / Z16094  
January 2015