

Spacers

Carlton® Snap-Loc® spacers

Carlton® Snap-Loc® Duct Spacers provide stability, consistent separation and relieve direct stress for duct materials encased in concrete and direct-burial applications.

Non-metallic Snap-Loc® Spacers are designed specifically for use with non-metallic duct, with maximum O.D. dimensions as specified in NEMA TC-2, TC-6 & 8 and ASTM F512. The innovative vertical and horizontal interlocking Snap-Loc® design has tapered joining slots with maximum tolerances for easy jobsite assembly.

Important:

The use of duct spacers for direct burial may result in excessive point deflections unless proper design engineering is applied, such as the proper compaction of the appropriate backfill



Installation note

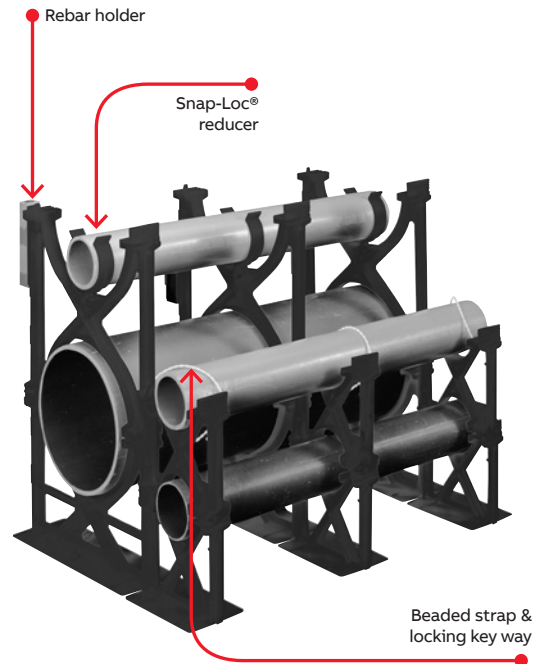
The Spacers and Rebar Holder are designed with a dovetail tongue-and-groove feature for easy installation.

If required to permanently fix the position of a group of Spacers and/or Rebar Holder, the following are recommended procedures:

1. Use Carlton® Quick-Set Cement glue during assembly or spot glue after assembly to secure.
2. During assembly, deform the edge of the tongue or groove portion of the dovetail slide with a pair of pliers or similar tool. This deformation will create an interference, restricting movement.
3. An assembled system may be wired together for additional support.

Features and benefits:

- A side dovetail rail-and-groove design enabling side-by-side interchangeability of conduit spacer sizes while maintaining horizontal stability
- Locking keyways incorporated into intermediate spacers eliminate the need for costly top spacers in each size. The locking keyways provide for the use of a beaded strap that secures the top section of conduit
- 1" and 2" Snap-Loc® Reducers enable fixturing of 1" or 2" conduit inside larger spacers
- The Snap-Loc® Rebar Holder provides stabilization on large banks of spacers



Important:

The use of duct spacers for direct burial may result in excessive point deflections unless proper design engineering is applied, such as the proper compaction of the appropriate backfill material.

Note: Spacers are not UL® Listed.

Spacers

Carlton® Snap-Loc® spacers

Dimensions – Base spacers

Cat. No.	Size (in.)	A (in.)	C (in.)	D (Dia.) (in.)	Std. Ctn.
S288JHN	2 x 1½	4.25	4.12	2.50	100
S288JJN	2 x 2	4.25	4.62	2.50	100
S288JLN	2 x 3	4.25	5.62	2.50	100
S288LHN	3 x 1½	4.81	5.25	3.63	90
S288LJN	3 x 2	4.81	5.75	3.63	80
S288LLN	3 x 3	4.81	6.75	3.63	60
S288NFN	4 x 1	4.50	5.75	4.63	70
S288NHN	4 x 1½	5.31	6.25	4.63	50
S288NJN	4 x 2	5.31	6.75	4.63	50
S288NLN	4 x 3	5.31	7.75	4.63	60
S288PHN	5 x 1½	5.84	7.31	5.69	50
S288PJN	5 x 2	5.84	7.81	5.69	60
S288PLN	5 x 3	5.84	8.81	5.69	50
S288RHN	6 x 1½	6.38	8.38	6.75	50
S288RJN	6 x 2	6.38	8.88	6.75	50
S288RLN	6 x 3	6.38	9.88	6.75	40
S288SHN	8 x 1½	7.38	10.3	8.75	30
S288SJN	8 x 2	7.38	10.76	8.75	30

* First number indicates trade size of duct, second number indicates separation between conduits or ducts.


Dimensions – Intermediate spacers

Cat. No.	Size (in.)	A (in.)	C (in.)	D (Dia.) (in.)	Std. Ctn.
S289JHN	2 x 1½	3.88	4.12	2.50	120
S289JJN	2 x 2	4.38	4.62	2.50	100
S289JLN	2 x 3	5.38	5.62	2.50	80
S289LHN	3 x 1½	5.01	5.25	3.63	100
S289LJN	3 x 2	5.51	5.75	3.63	80
S289LLN	3 x 3	6.51	6.75	3.63	60
S289NFN	4 x 1	5.51	5.73	4.63	70
S289NHN	4 x 1½	6.01	6.25	4.63	60
S289NJN	4 x 2	6.51	6.75	4.63	60
S289NLN	4 x 3	7.51	7.75	4.63	50
S289PHN	5 x 1½	7.07	7.31	5.69	50
S289PJN	5 x 2	7.57	7.81	5.69	50
S289PLN	5 x 3	8.57	8.81	5.69	30
S289RHN	6 x 1½	8.14	8.38	6.75	50
S289RJN	6 x 2	8.64	8.88	6.75	40
S289RLN	6 x 3	9.64	9.88	6.75	30
S289SHN	8 x 1½	10.14	10.3	8.75	30
S289SJN	8 x 2	10.64	10.76	8.75	30

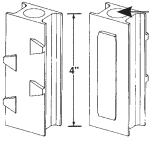
* First number indicates trade size of duct, second number indicates separation between conduits or ducts.

Accessories

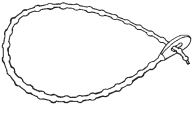
Snap-Loc® reducer

	Cat. No.	Size (in.)	Std. Ctn.
	S287F	1	100
	S287J	2	100

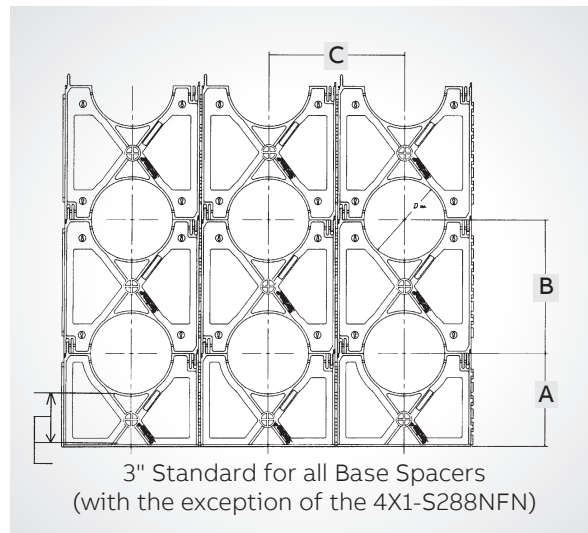
Rebar holder

	Cat. No.	Std. Ctn.
 Hole Dia. = .688 min. .750 max.	S258RH	100

Beaded strap

	Cat. No.	Std. Ctn.
 15" in length	S28612	1 Bag of 250

Specifications



Suggested Specification:

(Duct) (Conduit) bank shall be encased in concrete with at least three inches of concrete at the top and bottom and two inches on each side. A horizontal and vertical separation between the ducts of ____* inches shall be maintained by installing Carlton® high-impact spacers with horizontal and vertical locking intervals of ____** feet.

*Standard Separations of 1", 1½", 2" and 3" are available.

**Preferred interval between spacer assemblies is 8 to 10 feet.

Spacers

Carlton® Snap-Loc® spacers

Carlton® Snap-Loc® Duct Spacers provide stability, consistent separation and relieve direct stress for duct materials encased in concrete and direct-burial applications.

Non-metallic Snap-Loc® Spacers are designed specifically for use with non-metallic duct, with maximum O.D. dimensions as specified in NEMA TC-2, TC-6 & 8 and ASTM F512. The innovative vertical and horizontal interlocking Snap-Loc® design has tapered joining slots with maximum tolerances for easy jobsite assembly.

Important:

The use of duct spacers for direct burial may result in excessive point deflections unless proper design engineering is applied, such as the proper compaction of the appropriate backfill



Installation note

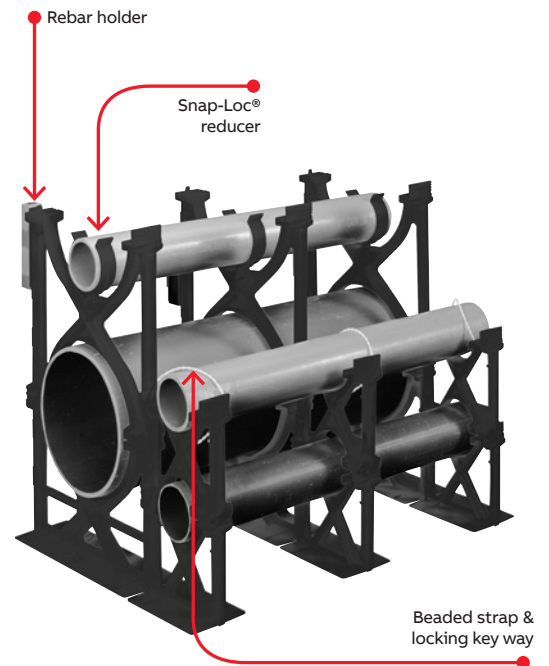
The Spacers and Rebar Holder are designed with a dovetail tongue-and-groove feature for easy installation.

If required to permanently fix the position of a group of Spacers and/or Rebar Holder, the following are recommended procedures:

1. Use Carlton® Quick-Set Cement glue during assembly or spot glue after assembly to secure.
2. During assembly, deform the edge of the tongue or groove portion of the dovetail slide with a pair of pliers or similar tool. This deformation will create an interference, restricting movement.
3. An assembled system may be wired together for additional support.

Features and benefits:

- A side dovetail rail-and-groove design enabling side-by-side interchangeability of conduit spacer sizes while maintaining horizontal stability
- Locking keyways incorporated into intermediate spacers eliminate the need for costly top spacers in each size. The locking keyways provide for the use of a beaded strap that secures the top section of conduit
- 1" and 2" Snap-Loc® Reducers enable fixturing of 1" or 2" conduit inside larger spacers
- The Snap-Loc® Rebar Holder provides stabilization on large banks of spacers



Important:

The use of duct spacers for direct burial may result in excessive point deflections unless proper design engineering is applied, such as the proper compaction of the appropriate backfill material.

Note: Spacers are not UL® Listed.

Spacers

Carlton® Snap-Loc® spacers

Dimensions – Base spacers

Cat. No.	Size (in.)	A (in.)	C (in.)	D (Dia.) (in.)	Std. Ctn.
S288JHN	2 x 1½	4.25	4.12	2.50	100
S288JJN	2 x 2	4.25	4.62	2.50	100
S288JLN	2 x 3	4.25	5.62	2.50	100
S288LHN	3 x 1½	4.81	5.25	3.63	90
S288LJN	3 x 2	4.81	5.75	3.63	80
S288LLN	3 x 3	4.81	6.75	3.63	60
S288NFN	4 x 1	4.50	5.75	4.63	70
S288NHN	4 x 1½	5.31	6.25	4.63	50
S288NJN	4 x 2	5.31	6.75	4.63	50
S288NLN	4 x 3	5.31	7.75	4.63	60
S288PHN	5 x 1½	5.84	7.31	5.69	50
S288PJN	5 x 2	5.84	7.81	5.69	60
S288PLN	5 x 3	5.84	8.81	5.69	50
S288RHN	6 x 1½	6.38	8.38	6.75	50
S288RJN	6 x 2	6.38	8.88	6.75	50
S288RLN	6 x 3	6.38	9.88	6.75	40
S288SHN	8 x 1½	7.38	10.3	8.75	30
S288SJN	8 x 2	7.38	10.76	8.75	30

* First number indicates trade size of duct, second number indicates separation between conduits or ducts.

Dimensions – Intermediate spacers


Cat. No.	Size (in.)	A (in.)	C (in.)	D (Dia.) (in.)	Std. Ctn.
S289JHN	2 x 1½	3.88	4.12	2.50	120
S289JJN	2 x 2	4.38	4.62	2.50	100
S289JLN	2 x 3	5.38	5.62	2.50	80
S289LHN	3 x 1½	5.01	5.25	3.63	100
S289LJN	3 x 2	5.51	5.75	3.63	80
S289LLN	3 x 3	6.51	6.75	3.63	60
S289NFN	4 x 1	5.51	5.73	4.63	70
S289NHN	4 x 1½	6.01	6.25	4.63	60
S289NJN	4 x 2	6.51	6.75	4.63	60
S289NLN	4 x 3	7.51	7.75	4.63	50
S289PHN	5 x 1½	7.07	7.31	5.69	50
S289PJN	5 x 2	7.57	7.81	5.69	50
S289PLN	5 x 3	8.57	8.81	5.69	30
S289RHN	6 x 1½	8.14	8.38	6.75	50
S289RJN	6 x 2	8.64	8.88	6.75	40
S289RLN	6 x 3	9.64	9.88	6.75	30
S289SHN	8 x 1½	10.14	10.3	8.75	30
S289SJN	8 x 2	10.64	10.76	8.75	30

* First number indicates trade size of duct, second number indicates separation between conduits or ducts.

Accessories

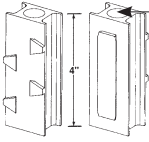
Snap-Loc® reducer

Cat. No.	Size (in.)	Std. Ctn.
S287F	1	100
S287J	2	100



Rebar holder


Cat. No.	Std. Ctn.
S258RH	100



Hole Dia. = .688 min. .750 max.

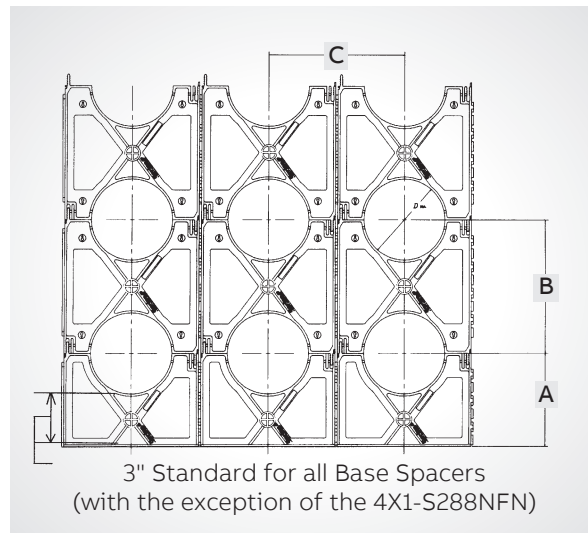
Beaded strap

Cat. No.	Std. Ctn.
S28612	1 Bag of 250



15" in length

Specifications



Suggested Specification:

(Duct) (Conduit) bank shall be encased in concrete with at least three inches of concrete at the top and bottom and two inches on each side. A horizontal and vertical separation between the ducts of ____* inches shall be maintained by installing Carlton® high-impact spacers with horizontal and vertical locking intervals of ____** feet.

*Standard Separations of 1", 1½", 2" and 3" are available.

**Preferred interval between spacer assemblies is 8 to 10 feet.