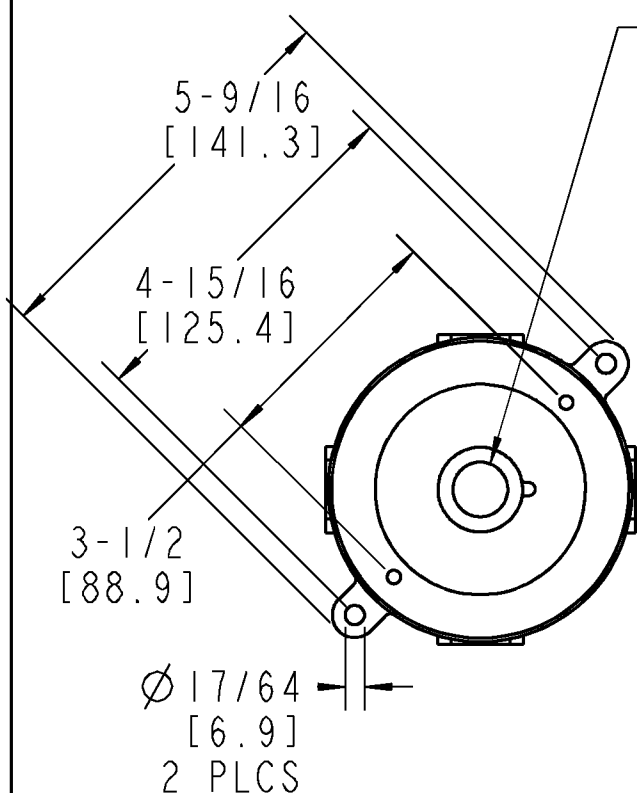




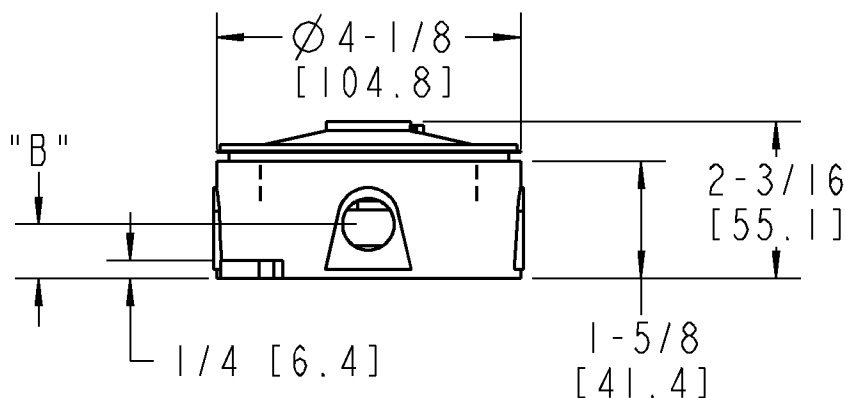
Red-Dot



(6) "A" NPT HUB OPENINGS
 (4) IN SIDES (1) BOTTOM (BOX)
 AND (1) TOP (COVER).

NOTES:

- 1- BOX : DIE CAST ALUMINUM ALLOY A-380.
COVER: ZINC-ZAMAK #3.
- 2- FINISH: ALUMINUM LACQUER.
- 3- GASKET: CLOSED CELL POLYETHYLENE FOAM.
- 4- 2 COVER MOUNTING SCREWS,
#10-24 x 3/8 LG [4.8mm x 10mm] RD HD MACH SCR.
& 5 PLUGS, AND 1 GROUND (GREEN) SCREW,
#10-32X 5/16 LG [4.8mm x 7.9mm] SELF TAPPING
SCREW FURNISHED.
- 5- NEW BOX AND COVER INSTRUCTIONS PROVIDED.
- 6- UL LISTED E28688 FOR 50 LB [22.7Kg]
FIXTURE OR 35 LB [15.9 Kg] CEILING FAN.
CSA LISTED L016807
- 7- MOUNTING SCREWS SUPPLIED MUST BE
USED FOR MOUNTING OF BOX
(2) 1/4 " X 1-1/2" LG [6.4mm x 38mm] LAG
SCREWS PHILLIPS PAN HEAD.



CATALOG NO.	"A"	"B"
S47CFB	1/2"	3/4 (19)
S48CFB	3/4"	7/8" (23)

GENERAL NOTES

1. ALL DIMENSIONS ARE FOR REFERENCE ONLY.
2. DIMENSIONS IN BRACKETS [] ARE IN METRIC UNITS.

REVISIONS

*** SEE ERN (****)
 FOR APPROVAL SIGNATURES
 & RELEASE DATE.
 PROJECT NO: ****

Thomas & Betts
 www.tnb.com

DESCRIPTION:

**WEATHERPROOF
 CEILING FAN BOX AND COVER**

ORIGINAL PROJECT NO / (ERN NO)

NM400379 / (2005621)

SHEET NO:

1 OF 1

REV. NO:

-

DRAWING NO:

WSD-000169