

SMOKE ALARM

10-YEAR SEALED

BRK[®]

THE PROFESSIONAL STANDARD

CAT. **SA350B**



10-YEAR LITHIUM POWER

10 years of continuous protection.
No battery change required. Provides audible notice when alarm has reached its end of life.

TAMPERPROOF SEALED ALARM

Powercell cannot be removed.

DUAL IONIZATION

Dual Ionization sensing chamber. Generally more effective at detecting small particles produced by flaming fires.

SILENCE FEATURE

Silences nuisance alarms.

TAMPER RESISTANT

Locks alarm to mounting bracket. Perfect for apartment, dormitory or hotel applications.

Sealed Lithium Power Cell

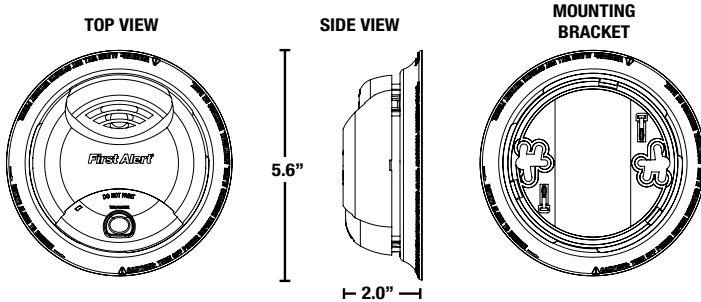
Description:

The BRK Cat. No. SA350B (model 0827) is a battery operated, lithium power cell single station smoke alarm specifically designed for residential and institutional applications including sleeping rooms of hospitals, hotels, motels, dormitories and other multi-family dwellings as defined in standard NFPA 101. This alarm complies with UL217, CSFM, NFPA 72, HUD, FHA and other agencies that model their codes after the above agencies. It meets building codes where tamperproof 10-year sealed lithium battery operated smoke alarms are required.

BRK SA350B features a dual ionization smoke sensing chamber, an 85 dB horn, a sealed 10-year lithium power cell power supply that is permanently installed, a single button for test/silence and a red LED that blinks to indicate unit is receiving power. The tamperproof design will not allow the powercell to be removed. The low power warning indicator will cause the alarm to "chirp" when it reaches the end of its service life and needs to be replaced. Upon end of life, the unit meets UL requirements for disabling the alarm and non-reinstallation of unit to mounting bracket. Designed for surface mounting, the SA350B includes mounting anchors and screws. Includes a gasketless base for easy installation and a new mounting bracket that keeps the alarm secure over a wide rotation range to allow for perfect alignment.



CAT. SA350B



ARCHITECTURAL AND ENGINEERING SPEC

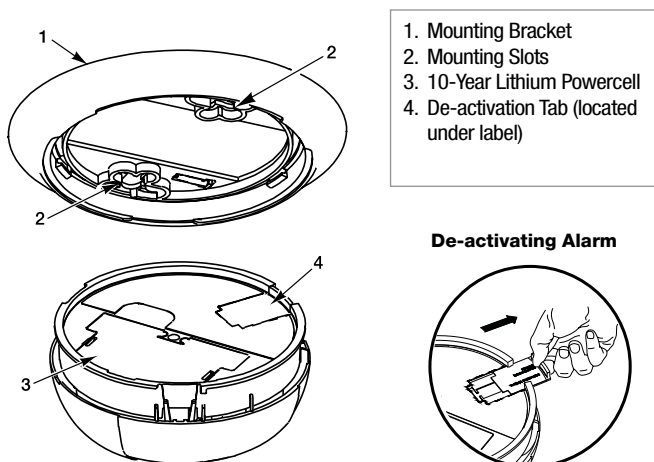
The smoke alarm shall be a BRK Model 0827 (cat no. SA350B) and shall provide at a minimum the following features and functions:

1. A dual ionization sensing chamber.
2. The unit shall be capable of self restoring.
3. Powered by a sealed 10-year lithium powercell with a tamperproof design. The tamperproof design shall not allow the powercell to be removed. A low power warning indicator shall cause the alarm to “chirp” when it reaches the end of its service life and needs to be replaced. Upon end of life, the unit shall meet UL requirements for disabling the alarm and the non-reinstallation of unit to mounting bracket.
4. A solid state piezo horn rated at 85 dB at 10 feet.
5. A visual LED power-on indicator to confirm unit is receiving power or is in alarm.
6. A full function test button. The test button should check all alarm functions by stimulating the chamber to simulate a smoke condition, causing the unit to alarm and also has a silence feature to silence unwanted nuisance alarms.
7. The unit shall be capable of operating between 40°F (4°C) and 100°F (38°C) and relative humidity between 10% and 90%.
8. The unit shall contain mounting hardware and shall be listed for wall or ceiling mounting.
9. The unit shall at a minimum meet the requirements of UL217, CSFM, NFPA 72, NFPA 101, ICC.

INSTALLATION OF ALARM

Installation of this smoke alarm must conform to NFPA 72. Always check your local building codes. Follow all instructions for placement as outlined in the user's manual in sections titled “Recommended Locations for Smoke Alarms” and “Locations to Avoid for Smoke Alarms”.

THE PARTS OF THIS SMOKE ALARM



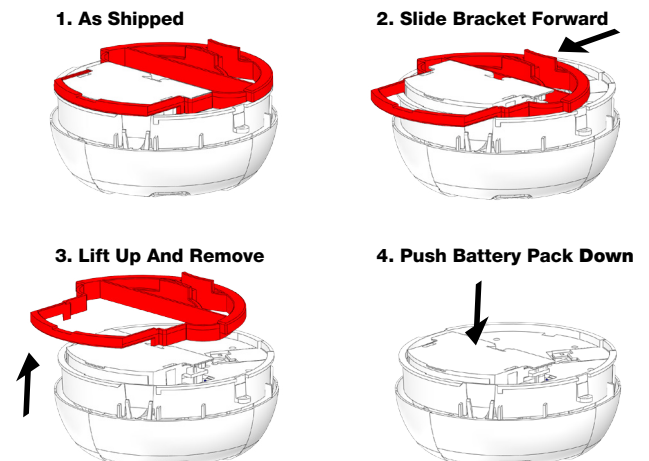
TECHNICAL SPECS

Alarm Dimensions:	5.6" dia x 2.0"H
Weight:	6.9 oz
Operating Voltage:	9V (three 3V) Lithium Power Cells
Temperature Range:	40°F (4°C) to 100°F (38°C)
Humidity Range:	10% to 95% relative humidity (RH)
Audio Alarm:	85dB at 10 feet
Test/Silence:	Electronically simulates smoke condition, causing the unit to alarm. Press and hold test/silence button.
Alarm Reset:	Automatic when smoke clears
Smoke Sensor:	Dual Ionization
Indicator Lights/Sounds:	
DC Power:	Intermittent Red LED
Local Alarm:	Audio alarm and rapidly flashing Red LED
Listing:	Listed to UL217 Standard

SHIPPING SPECS

Individual Carton Dimensions	5.69 "L x 2.25"W x 5.59"H
Weight	0.55 lbs.
Cube	0.04 ft3
UPC	0 29054 01474 0
Master Carton Dimensions	11.94"L x 7.12"W x 6.38"H
Master Pack	6
Weight	3.7 lbs.
Cube:	0.32 ft3
I2of5:	600 29054 01474 2
Pallet Information	
Cases per Layer	24
Number of Layers:	6
Cases per Pallet:	144
Units per Pallet:	864
Cube:	46.8 ft3
Weight:	592 lbs.

This alarm is shipped with a bracket to keep the battery from being activated until alarm is ready for installation. The bracket is red. Remove the bracket as shown below and activate the battery pack by pushing down into alarm base until it locks into place. Discard bracket. It is no longer needed.



©2014 BRK Brands, Inc. a Jarden Corporation
Company (NYSE: JAH)
3901 Liberty Street Road
Aurora, IL 60504-8122
All rights reserved

First Alert is a registered trademark of the First Alert Trust
BRK is a registered trademark of BRK Brands, Inc.
CM3203-1

SMOKE ALARM

10-YEAR SEALED

BRK[®]

THE PROFESSIONAL STANDARD

CAT. **SA350B**



10-YEAR LITHIUM POWER

10 years of continuous protection.
No battery change required. Provides audible notice when alarm has reached its end of life.

TAMPERPROOF SEALED ALARM

Powercell cannot be removed.

DUAL IONIZATION

Dual Ionization sensing chamber. Generally more effective at detecting small particles produced by flaming fires.

SILENCE FEATURE

Silences nuisance alarms.

TAMPER RESISTANT

Locks alarm to mounting bracket. Perfect for apartment, dormitory or hotel applications.

Sealed Lithium Power Cell

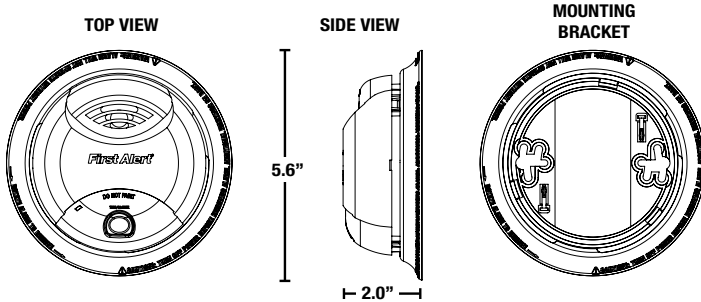
Description:

The BRK Cat. No. SA350B (model 0827) is a battery operated, lithium power cell single station smoke alarm specifically designed for residential and institutional applications including sleeping rooms of hospitals, hotels, motels, dormitories and other multi-family dwellings as defined in standard NFPA 101. This alarm complies with UL217, CSFM, NFPA 72, HUD, FHA and other agencies that model their codes after the above agencies. It meets building codes where tamperproof 10-year sealed lithium battery operated smoke alarms are required.

BRK SA350B features a dual ionization smoke sensing chamber, an 85 dB horn, a sealed 10-year lithium power cell power supply that is permanently installed, a single button for test/silence and a red LED that blinks to indicate unit is receiving power. The tamperproof design will not allow the powercell to be removed. The low power warning indicator will cause the alarm to "chirp" when it reaches the end of its service life and needs to be replaced. Upon end of life, the unit meets UL requirements for disabling the alarm and non-reinstallation of unit to mounting bracket. Designed for surface mounting, the SA350B includes mounting anchors and screws. Includes a gasketless base for easy installation and a new mounting bracket that keeps the alarm secure over a wide rotation range to allow for perfect alignment.



CAT. SA350B



ARCHITECTURAL AND ENGINEERING SPEC

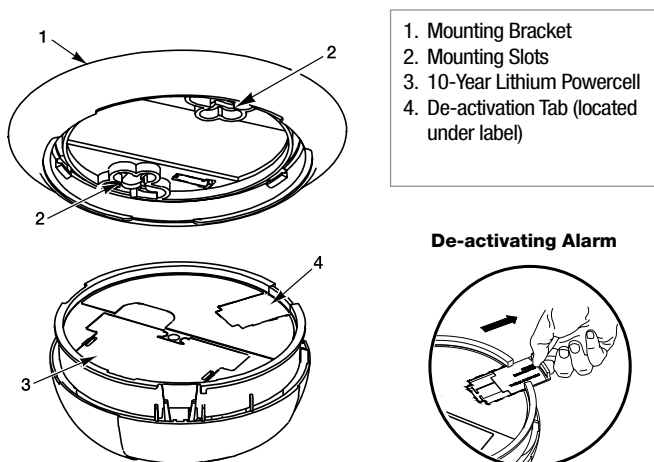
The smoke alarm shall be a BRK Model 0827 (cat no. SA350B) and shall provide at a minimum the following features and functions:

1. A dual ionization sensing chamber.
2. The unit shall be capable of self restoring.
3. Powered by a sealed 10-year lithium powercell with a tamperproof design. The tamperproof design shall not allow the powercell to be removed. A low power warning indicator shall cause the alarm to “chirp” when it reaches the end of its service life and needs to be replaced. Upon end of life, the unit shall meet UL requirements for disabling the alarm and the non-reinstallation of unit to mounting bracket.
4. A solid state piezo horn rated at 85 dB at 10 feet.
5. A visual LED power-on indicator to confirm unit is receiving power or is in alarm.
6. A full function test button. The test button should check all alarm functions by stimulating the chamber to simulate a smoke condition, causing the unit to alarm and also has a silence feature to silence unwanted nuisance alarms.
7. The unit shall be capable of operating between 40°F (4°C) and 100°F (38°C) and relative humidity between 10% and 90%.
8. The unit shall contain mounting hardware and shall be listed for wall or ceiling mounting.
9. The unit shall at a minimum meet the requirements of UL217, CSFM, NFPA 72, NFPA 101, ICC.

INSTALLATION OF ALARM

Installation of this smoke alarm must conform to NFPA 72. Always check your local building codes. Follow all instructions for placement as outlined in the user’s manual in sections titled “Recommended Locations for Smoke Alarms” and “Locations to Avoid for Smoke Alarms”.

THE PARTS OF THIS SMOKE ALARM



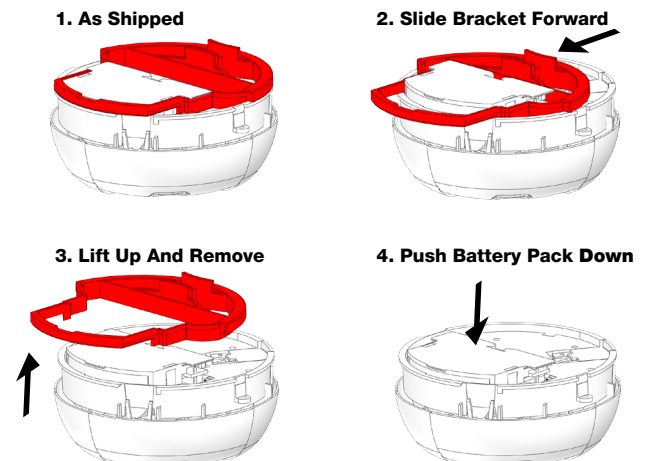
TECHNICAL SPECS

Alarm Dimensions:	5.6" dia x 2.0"H
Weight:	6.9 oz
Operating Voltage:	9V (three 3V) Lithium Power Cells
Temperature Range:	40°F (4°C) to 100°F (38°C)
Humidity Range:	10% to 95% relative humidity (RH)
Audio Alarm:	85dB at 10 feet
Test/Silence:	Electronically simulates smoke condition, causing the unit to alarm. Press and hold test/silence button.
Alarm Reset:	Automatic when smoke clears
Smoke Sensor:	Dual Ionization
Indicator Lights/Sounds:	
DC Power:	Intermittent Red LED
Local Alarm:	Audio alarm and rapidly flashing Red LED
Listing:	Listed to UL217 Standard

SHIPPING SPECS

Individual Carton Dimensions	5.69 "L x 2.25"W x 5.59"H
Weight	0.55 lbs.
Cube	0.04 ft3
UPC	0 29054 01474 0
Master Carton Dimensions	11.94"L x 7.12"W x 6.38"H
Master Pack	6
Weight	3.7 lbs.
Cube:	0.32 ft3
I2of5:	600 29054 01474 2
Pallet Information	
Cases per Layer	24
Number of Layers:	6
Cases per Pallet:	144
Units per Pallet:	864
Cube:	46.8 ft3
Weight:	592 lbs.

This alarm is shipped with a bracket to keep the battery from being activated until alarm is ready for installation. The bracket is red. Remove the bracket as shown below and activate the battery pack by pushing down into alarm base until it locks into place. It is no longer needed.



©2014 BRK Brands, Inc. a Jarden Corporation
Company (NYSE: JAH)
3901 Liberty Street Road
Aurora, IL 60504-8122
All rights reserved

First Alert is a registered trademark of the First Alert Trust
BRK is a registered trademark of BRK Brands, Inc.
CM3203-1