

Slide 0-10 Volt Dimmers

Project Name:	Prepared By:
Project Number:	Date:
Catalog Number:	Type:

Description

Single Pole & 3-Way
0-10 Volt Dimming Control with Integrated
ON/OFF Switch



SF10P

Design features

- Preset feature allows user to return to previous light level when turning lights ON
- Integrated full-slide control for easy, precise operation
- Can be wired as Single Pole or 3-Way
- Neutral is not required for installation of device
- Adjustable high-level trim setting for optimal lamp compatibility
- Electrostatic discharge protection
- Compatible with any decorator wallplate or screwless decorator wallplate
- Compatible with dimmable LED and Fluorescent 0-10 Volt ballasts
- California Title 20 compliant

Table 1. Slide Dimmers, Back & Side Wire

Catalog No.	Compatible Lamp Types	Description	Rating		Color Suffix
			Watt	V/AC	
□ SF10P__	Dimmable LED/FLR 0-10V Ballasts	Slide Dimmer, Single Pole/3-Way Preset	1200	120	A, B, BK, GY, LA, V, W
			1660	277	

Compliances, specifications and availability are subject to change without notice.



Powering Business Worldwide

Project Name:	Prepared By:
Project Number:	Date:
Catalog Number:	Type:

Applications

Eaton's Slide 0-10 Volt Dimmer provides full-range classic linear-slide dimming for 0-10V compatible dimmable light sources. These units are ideal for residential and commercial applications and are compatible with Eaton's Decorator style devices and wallplates. The preset "ON/OFF" switch automatically returns controlled light(s) to a preset level without disturbing the brightness level. The device is designed for both Single Pole (one location) and 3-Way (multi-location) applications. Not recommended for applications involving frequent use of ammonia based cleaners.

Table 2. Specifications

Catalog No.	SF10P Series
Device Type	Slide Dimmers, AL Series
Wiring Type	Back & side wire terminals + 10V wire leads
Testing & Code Compliance	<ul style="list-style-type: none"> • cULus Listed to UL1472, file no. E47967 • NOM Certified • California Title 20 compliant
Environmental Specifications	Flammability: Meets UL 94 requirements; V2 rated Temperature Rating: -20°C to 70°C (-4°F to 158°F)
Electrical Specifications	Rating: 120V/AC, 60 Hz; 277V/AC, 60 Hz Light Intensity Control: Full-range, continuously variable dimming Dimming Performance: 0-10V Dimming Surge Protection: Meets ANSI/IEEE Std. C62.41-1980, tested to withstand voltage surges up to 6000V and current surges of up to 200A without damage Power-failure Memory: Light returns to same level prior to power interruption Lamp Ratings - Switch Relay: 1200W @ 120V/AC, 1660W @ 277V/AC Dimming Control Power: 0-10V/DC: 200 mA
Mechanical Specifications	Wiring Types: Single Pole & 3-Way LED Indicators: Load status indicator Voltage Ratings: Permanently marked on device

Table 3. Materials

Catalog No.	SF10P Series
Top Housing	Polycarbonate
Bottom Housing	Polycarbonate
Strap	Aluminum
Form Factor	Decorator
Finish	Gloss

Table 4. Color Ordering Information

For ordering devices, include Cat. No. followed by the color code: A (Almond), B (Brown), BK (Black), GY (Gray) LA (Light Almond), V (Ivory), W (White)

A	B	BK	GY	LA	V	W
(Almond)	(Brown)	(Black)	(Gray)	(Lt. Almond)	(Ivory)	(White)

Project Name:	Prepared By:
Project Number:	Date:
Catalog Number:	Type:

Product Dimensions

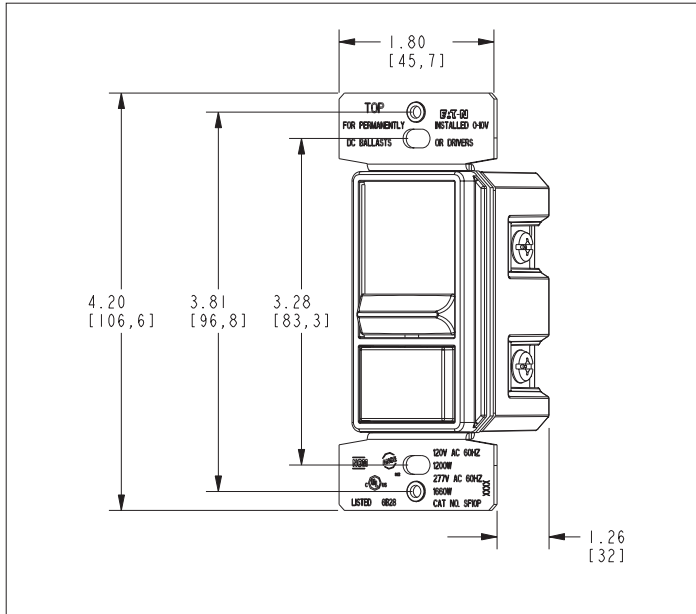
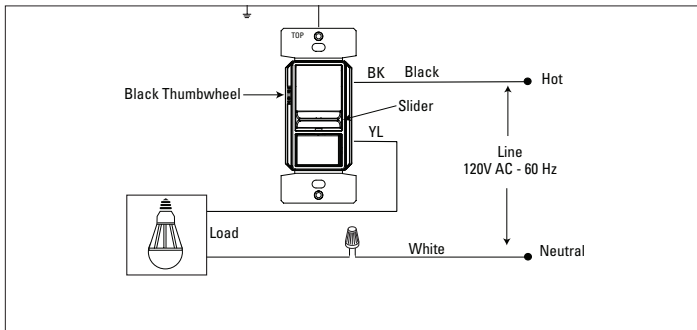


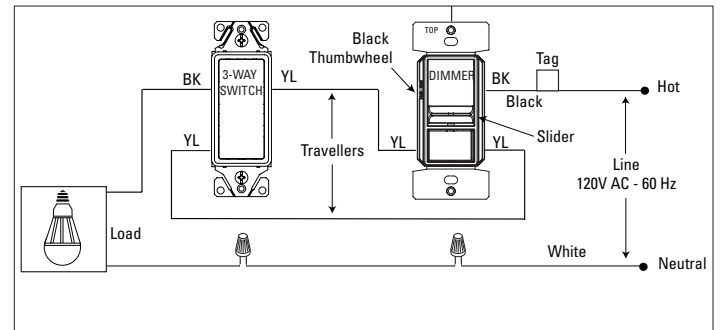
Figure 1. SF10P Line Art with Dimensions

Wiring Diagrams

Single-Pole Wiring Diagram



3-Way Wiring Diagram



Certifications & Compliances

Catalog No.	cULus	NOM 426	TITLE 20
SF10P	•	•	•

KEY: cULus cULus NOM 426 NOM TITLE 20 Title 20 compliant

Compliances, specifications and availability are subject to change without notice.

Electrical Sector
203 Cooper Circle
Peachtree City, GA 30269
United States
Eaton.com
Eaton.com/wiringdevices

Electrical Sector
Canada Operations
5925 McLaughlin Road
Mississauga, Ontario, L5R 1B8
Canada
EatonCanada.ca
Eaton.com/wiringdevices

Electrical Sector
Mexico Operations
Carr. Tlalnepanitla -
Cuautitlan Km 17.8 s/n
Col. Villa Jardin esq.
Cerrada 8 de Mayo
Cuautitlan, Mexico CP 54800
Mexico
Eaton.mx
Eaton.com/wiringdevices



Eaton
1000 Eaton Boulevard
Cleveland, OH 44122
United States
Eaton.com

© 2018 Eaton
All Rights Reserved
Printed in USA
Publication No. TD610066EN
March 2018

Eaton is a registered trademark.
All other trademarks are property of their respective owners.