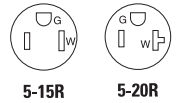


Arrow Hart specification grade NAFTA GFCI receptacles with wire leads

Project Name:	Prepared By:
Project Number:	Date:
Catalog Number:	Type:

Description

2-pole, 3-wire grounding
 15A, 125V/AC
 20A, 125V/AC



SGF20

Design features

- UL Listed, fully compliant with all latest UL943 Class A GFCI requirements
- 10 kA short circuit current rating per Supplement SA of UL943
- Lock-out functionality prevents miswired line-load connections and GFCI circuitry damage
- Visual indicator lights provides quick visual reference of a tripped and/or "end of life" conditions
- Each device carries a 20A feed-through rating
- Longer, wider "bridged" strap provides 40% more contact area with wallboard, virtually eliminating floating installations
- Matching standard size thermoplastic wallplate included
- Provides compliance with 2017 NEC Article 406.9 that states that all receptacles installed in wet and damp locations must be weather resistant

Table 1. Specification grade

Catalog no.	Description	Rating		NEMA	Color suffix
		A	V/AC		
<input type="checkbox"/> SGF15F___-PSOL	Duplex GFCI, NAFTA compliant, solid pigtail leads, back & side wire	15	125	5-15R	B, BK, GY, LA, RD, V, W
<input type="checkbox"/> SGF15F___-PSTR	Duplex GFCI, NAFTA compliant, stranded pigtail leads, back & side wire	15	125	5-15R	B, BK, GY, LA, RD, V, W
<input type="checkbox"/> SGF20F___-PSOL	Duplex GFCI, NAFTA compliant, solid pigtail leads, back & side wire	20	125	5-20R	B, BK, GY, LA, RD, V, W
<input type="checkbox"/> SGF20F___-PSTR	Duplex GFCI, NAFTA compliant, stranded pigtail leads, back & side wire	20	125	5-20R	B, BK, GY, LA, RD, V, W

Includes standard size unbreakable wallplate unless otherwise noted
 Consult factory customer service representative for additional packaging options

Compliances, specifications and availability are subject to change without notice.



Powering Business Worldwide

Project Name:	Prepared By:
Project Number:	Date:
Catalog Number:	Type:

Applications

GFCI receptacles are designed with the safety of the user in mind. In commercial and industrial areas like public bathrooms, breakrooms and food service areas, the NEC® requires GFCI receptacles. Arrow Hart GFCI receptacles are UL Listed and fully compliant with all of the latest UL943 Class A GFCI and UL498 requirements. Additionally, GFCIs incorporate lock-out functionality to protect against mis-wired line-load connections and GFCI circuitry damage.

Table 2. Specifications

Catalog no.	SGF and SGF_F series
Device type	Specification grade GFCI 15A & 20A
Wiring type	Back & side wire
Testing & code compliance	<ul style="list-style-type: none"> cULus Listed to UL 498 and UL 943, file no. E60120 Meets all UL 943 (GFCI), UL 498 (receptacles) and applicable CSA requirements NOM certified
Environmental specifications	Flammability: Meets UL 94 requirements; V2 rated Temperature rating: -35°C to 66°C (-31°F to 150.8°F)
Electrical specifications	Dielectric voltage: Withstands 2000V per UL 498 Current interrupting: Yes, at full-rated current Temperature rise: Max. 30°C (86°F) after 100 cycles of overload @ 150% of rated current (DC) Trip time: 0.025 seconds (Class A) Frequency: 60 Hz; Voltage: 125V; Amperage: 15A/20A 20A feed-through Short circuit testing: Meets and exceeds 10 kA Maximum interrupting capacity: 20 Amps
Mechanical specifications	Terminal accommodation: #14 - 10 AWG Voltage ratings: Permanently marked on device

Table 3. Materials

Catalog no.	SGF and SGF_F series
Top housing	Thermoplastic, polypropylene
Bottom housing	Thermoplastic, PVC
Strap	0.042" thick steel, zinc-plated
Line contacts	0.030" thick brass
Terminal & ground screws	#8-32 steel, brass-plated; neutral screw nickel-plated, ground screw green
Terminal clamps	0.070" thick steel
Wire leads (PSOL/PSTR)	#12 AWG solid or stranded copper wire, 7" length

Table 4. GFCI status indicator

EOL indicator RED LED	Trip indicator AMBER LED	Diagnosis	Color suffix
OFF	OFF	Device is functioning properly OR branch circuit may have no power	Manually depress TEST button to trip device. Amber light should come ON <ul style="list-style-type: none"> If Amber light does <u>not</u> come ON, check if there is power to the branch If Amber light does come ON, manually depress the RESET button to restore power to the device If GFCI does not reset, replace GFCI If GFCI does reset, device is functioning properly
OFF	ON	Device is in tripped state	Manually depress the RESET button to restore power to the device <ul style="list-style-type: none"> If GFCI does not reset, replace GFCI
Blinking	OFF	Device's "end of life" indication device is in reset state	Manually depress TEST button to trip device. Amber light should come ON <ul style="list-style-type: none"> If Amber light does <u>not</u> come ON, check if there is power to the branch If Amber light does come ON, manually depress the RESET button to restore power to the device If it does not reset, and/or the blinking continues, replace GFCI
Blinking	ON	Device's "end of life" indication device is in tripped state	Manually depress the RESET button to restore power to the device <ul style="list-style-type: none"> If it does not reset, and/or the blinking continues, replace GFCI

EOL: End of Life

Table 5. Color ordering information

For ordering devices, include Cat. no. followed by the color code: B (Brown), BK (Black), GY (Gray), LA (Light Almond), RD (Red), V (Ivory), W (White)

B	BK	GY	LA	RD	V	W
Brown	Black	Gray	Lt. Almond	Red	Ivory	White

Project Name:	Prepared By:
Project Number:	Date:
Catalog Number:	Type:

Product dimensions

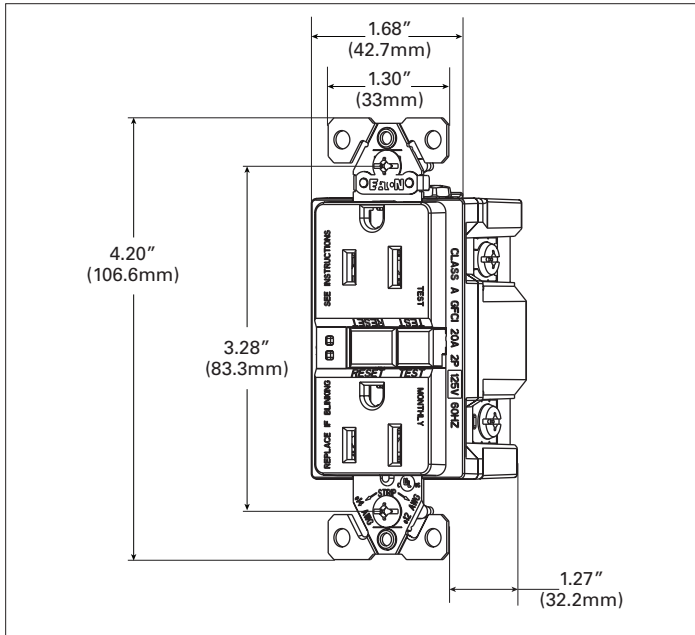


Figure 1. SGF15F-PSOL & SGF15F-PSTR Line art w/dimensions

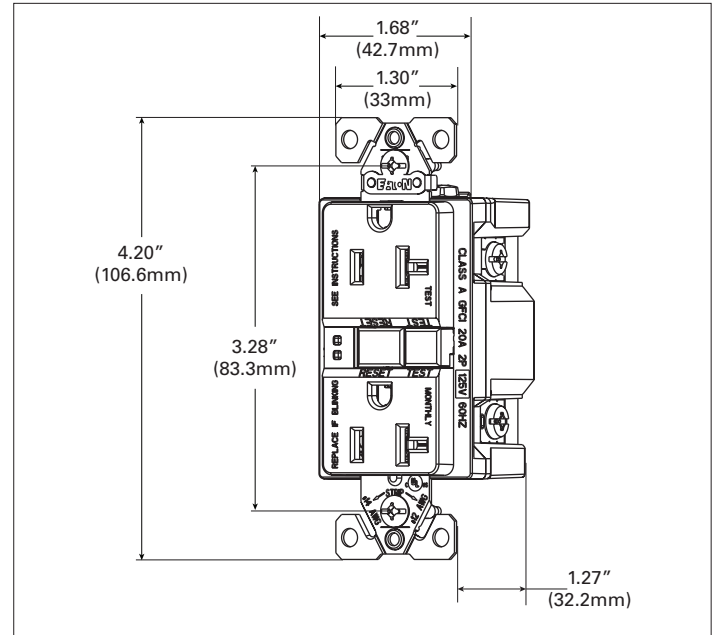


Figure 2. SGF20F-PSOL & SGF20F-PSTR Line art w/dimensions

Certifications & compliances

Catalog no.					
SGF15F-PSOL	•	•	•	•	•
SGF15F-PSTR	•	•	•	•	•
SGF20F-PSOL	•	•	•	•	•
SGF20F-PSTR	•	•	•	•	•

KEY: cULus NAFTA NOM
 Arrowlink Build-To-Spec

Build-To-Spec Customizable Devices

Electrical Sector
Canada Operations
203 Cooper Circle
Peachtree City, GA 30269
United States
Eaton.com
Eaton.com/wiringdevices

Electrical Sector
Canada Operations
5925 McLaughlin Road
Mississauga, Ontario, L5R 1B8
Canada
EatonCanada.ca
Eaton.com/wiringdevices

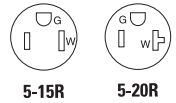
Electrical Sector
Mexico Operations
Carr. Tlalnepantla -
Cuautitlan Km 178 s/n
Col. Villa Jardin esq.
Cerrada 8 de Mayo
Cuautitlan, Mexico CP 54800
Mexico
Eaton.mx
Eaton.com/wiringdevices

Arrow Hart specification grade NAFTA GFCI receptacles with wire leads

Project Name:	Prepared By:
Project Number:	Date:
Catalog Number:	Type:

Description

2-pole, 3-wire grounding
 15A, 125V/AC
 20A, 125V/AC



SGF20

Design features

- UL Listed, fully compliant with all latest UL943 Class A GFCI requirements
- 10 kA short circuit current rating per Supplement SA of UL943
- Lock-out functionality prevents miswired line-load connections and GFCI circuitry damage
- Visual indicator lights provides quick visual reference of a tripped and/or "end of life" conditions
- Each device carries a 20A feed-through rating
- Longer, wider "bridged" strap provides 40% more contact area with wallboard, virtually eliminating floating installations
- Matching standard size thermoplastic wallplate included
- Provides compliance with 2017 NEC Article 406.9 that states that all receptacles installed in wet and damp locations must be weather resistant

Table 1. Specification grade

Catalog no.	Description	Rating		NEMA	Color suffix
		A	V/AC		
<input type="checkbox"/> SGF15F___-PSOL	Duplex GFCI, NAFTA compliant, solid pigtail leads, back & side wire	15	125	5-15R	B, BK, GY, LA, RD, V, W
<input type="checkbox"/> SGF15F___-PSTR	Duplex GFCI, NAFTA compliant, stranded pigtail leads, back & side wire	15	125	5-15R	B, BK, GY, LA, RD, V, W
<input type="checkbox"/> SGF20F___-PSOL	Duplex GFCI, NAFTA compliant, solid pigtail leads, back & side wire	20	125	5-20R	B, BK, GY, LA, RD, V, W
<input type="checkbox"/> SGF20F___-PSTR	Duplex GFCI, NAFTA compliant, stranded pigtail leads, back & side wire	20	125	5-20R	B, BK, GY, LA, RD, V, W

Includes standard size unbreakable wallplate unless otherwise noted
 Consult factory customer service representative for additional packaging options

Compliances, specifications and availability are subject to change without notice.



Powering Business Worldwide

Project Name:	Prepared By:
Project Number:	Date:
Catalog Number:	Type:

Applications

GFCI receptacles are designed with the safety of the user in mind. In commercial and industrial areas like public bathrooms, breakrooms and food service areas, the NEC® requires GFCI receptacles. Arrow Hart GFCI receptacles are UL Listed and fully compliant with all of the latest UL943 Class A GFCI and UL498 requirements. Additionally, GFCIs incorporate lock-out functionality to protect against mis-wired line-load connections and GFCI circuitry damage.

Table 2. Specifications

Catalog no.	SGF and SGF_F series
Device type	Specification grade GFCI 15A & 20A
Wiring type	Back & side wire
Testing & code compliance	<ul style="list-style-type: none"> cULus Listed to UL 498 and UL 943, file no. E60120 Meets all UL 943 (GFCI), UL 498 (receptacles) and applicable CSA requirements NOM certified
Environmental specifications	Flammability: Meets UL 94 requirements; V2 rated Temperature rating: -35°C to 66°C (-31°F to 150.8°F)
Electrical specifications	Dielectric voltage: Withstands 2000V per UL 498 Current interrupting: Yes, at full-rated current Temperature rise: Max. 30°C (86°F) after 100 cycles of overload @ 150% of rated current (DC) Trip time: 0.025 seconds (Class A) Frequency: 60 Hz; Voltage: 125V; Amperage: 15A/20A 20A feed-through Short circuit testing: Meets and exceeds 10 kA Maximum interrupting capacity: 20 Amps
Mechanical specifications	Terminal accommodation: #14 - 10 AWG Voltage ratings: Permanently marked on device

Table 3. Materials

Catalog no.	SGF and SGF_F series
Top housing	Thermoplastic, polypropylene
Bottom housing	Thermoplastic, PVC
Strap	0.042" thick steel, zinc-plated
Line contacts	0.030" thick brass
Terminal & ground screws	#8-32 steel, brass-plated; neutral screw nickel-plated, ground screw green
Terminal clamps	0.070" thick steel
Wire leads (PSOL/PSTR)	#12 AWG solid or stranded copper wire, 7" length

Table 4. GFCI status indicator

EOL indicator RED LED	Trip indicator AMBER LED	Diagnosis	Color suffix
OFF	OFF	Device is functioning properly OR branch circuit may have no power	Manually depress TEST button to trip device. Amber light should come ON <ul style="list-style-type: none"> If Amber light does <u>not</u> come ON, check if there is power to the branch If Amber light does come ON, manually depress the RESET button to restore power to the device If GFCI does not reset, replace GFCI If GFCI does reset, device is functioning properly
OFF	ON	Device is in tripped state	Manually depress the RESET button to restore power to the device <ul style="list-style-type: none"> If GFCI does not reset, replace GFCI
Blinking	OFF	Device's "end of life" indication device is in reset state	Manually depress TEST button to trip device. Amber light should come ON <ul style="list-style-type: none"> If Amber light does <u>not</u> come ON, check if there is power to the branch If Amber light does come ON, manually depress the RESET button to restore power to the device If it does not reset, and/or the blinking continues, replace GFCI
Blinking	ON	Device's "end of life" indication device is in tripped state	Manually depress the RESET button to restore power to the device <ul style="list-style-type: none"> If it does not reset, and/or the blinking continues, replace GFCI

EOL: End of Life

Table 5. Color ordering information

For ordering devices, include Cat. no. followed by the color code: B (Brown), BK (Black), GY (Gray), LA (Light Almond), RD (Red), V (Ivory), W (White)

B	BK	GY	LA	RD	V	W
Brown	Black	Gray	Lt. Almond	Red	Ivory	White

Project Name:	Prepared By:
Project Number:	Date:
Catalog Number:	Type:

Product dimensions

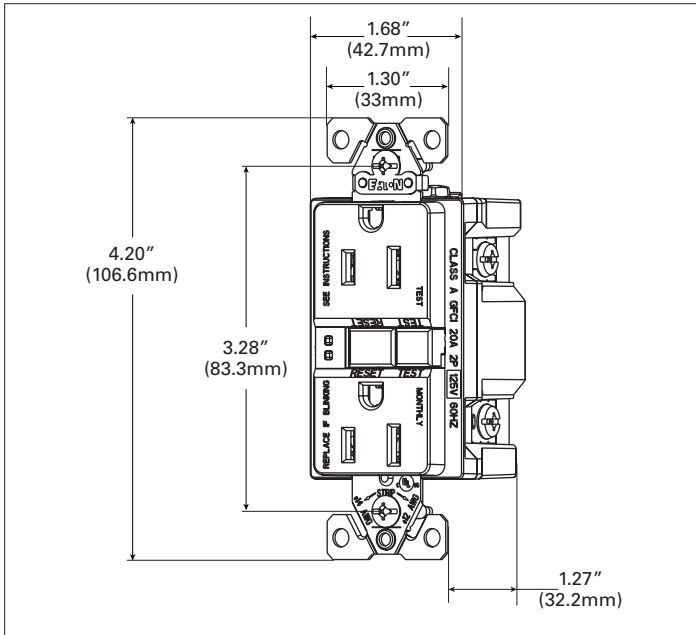


Figure 1. SGF15F-PSOL & SGF15F-PSTR Line art w/dimensions

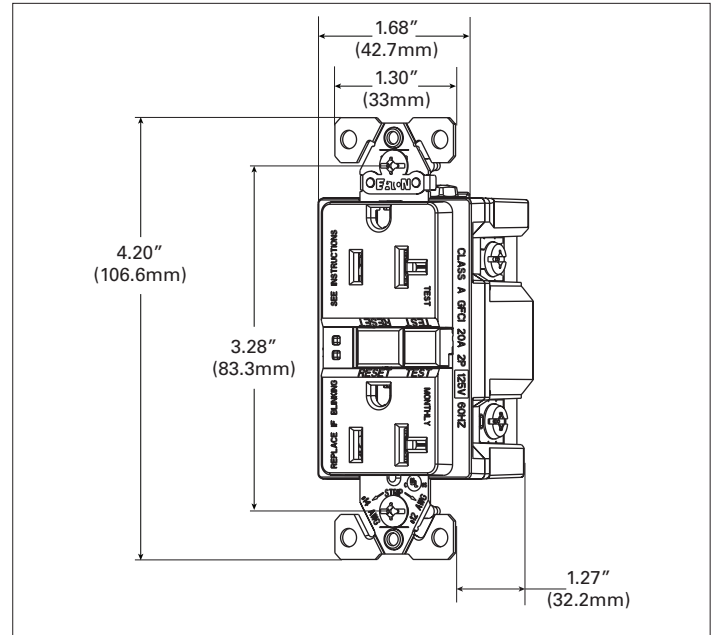


Figure 2. SGF20F-PSOL & SGF20F-PSTR Line art w/dimensions

Certifications & compliances

Catalog no.					
SGF15F-PSOL	•	•	•	•	•
SGF15F-PSTR	•	•	•	•	•
SGF20F-PSOL	•	•	•	•	•
SGF20F-PSTR	•	•	•	•	•

KEY: cULus NAFTA NOM
 Arrowlink Build-To-Spec

Build-To-Spec Customizable Devices

Electrical Sector
Canada Operations
203 Cooper Circle
Peachtree City, GA 30269
United States
Eaton.com
Eaton.com/wiringdevices

Electrical Sector
Mexico Operations
5925 McLaughlin Road
Mississauga, Ontario, L5R 1B8
Canada
EatonCanada.ca
Eaton.com/wiringdevices

Electrical Sector
Mexico Operations
Carr. Tlalnepantla -
Cuautitlan Km 178 s/n
Col. Villa Jardin esq.
Cerrada 8 de Mayo
Cuautitlan, Mexico CP 54800
Mexico
Eaton.mx
Eaton.com/wiringdevices