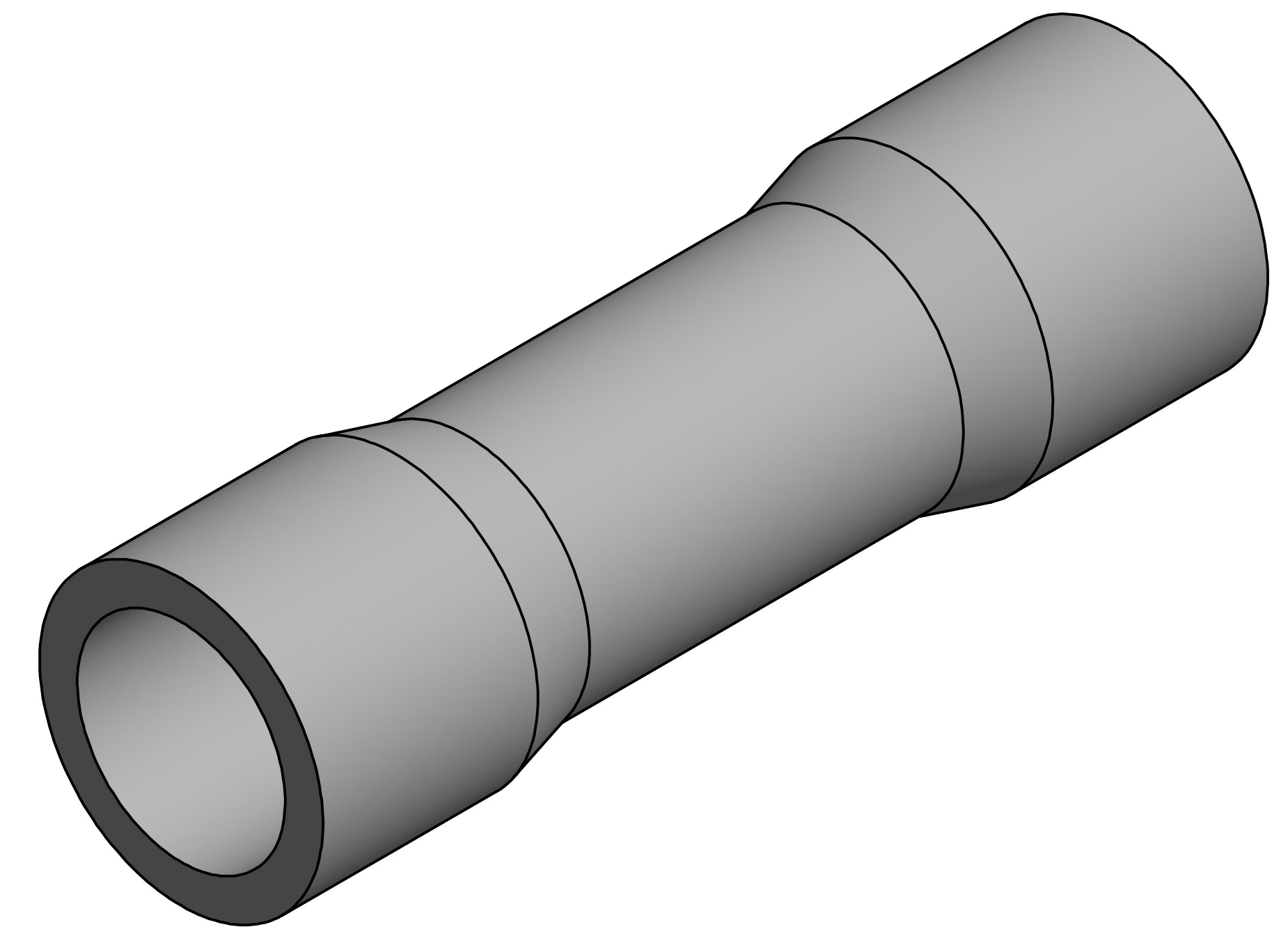
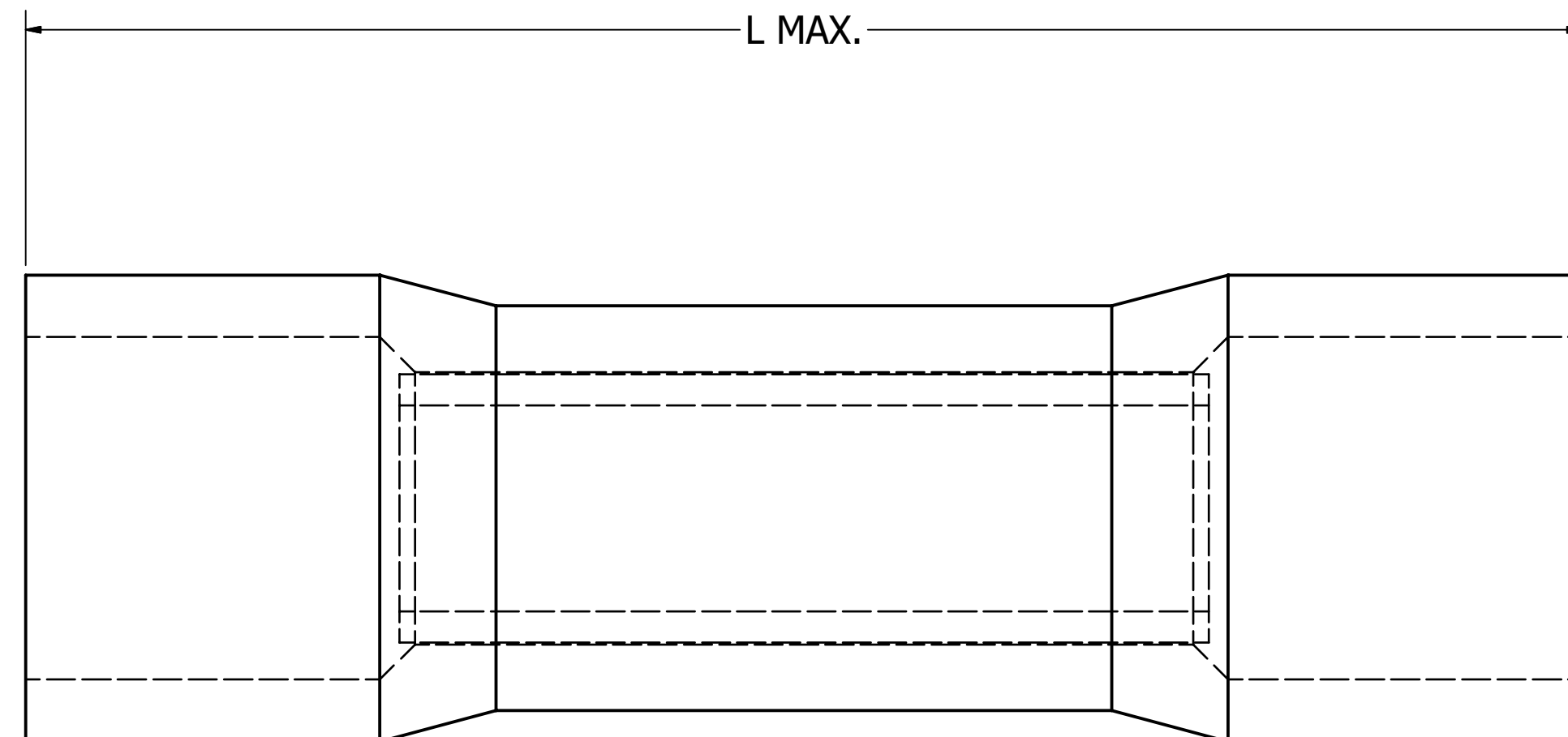


AWG WIRE SIZE (METRIC SIZE)	CATALOG NUMBER	BULK CATALOG NUMBER	L MAX.	MAX. WIRE INSUL. DIA. ACCOM.	WIRE STRIP LENGTH ± .03 [± .8]	COLOR CODE	INSTALLATION TOOLING
22-16 Str. and Sol. (0.34 mm <sup>2</sup> - 1.00 mm <sup>2</sup> )	SP16	BS16	1.00 [25.4]	.15 [3.8]	1/4" [6.4]	RED	MR15
16-14 Str. and Sol. (1.50 mm <sup>2</sup> )	SP16	BS14		.18 [4.6]		BLUE	
12-10 Str. (4.00 mm <sup>2</sup> )	SP10	BS10	1.23 [31.2]	.26 [6.6]	21/64" [8.3]	YELLOW	

REV	DATE	DESCRIPTION	ECO	BY	C'H'K.
B	07/27/2020	METRIC WIRE SIZE ADDED IN TABLE	53947	SS	YR



**NOTES:**

1. TERMINAL: TIN PLATED COPPER
2. INSULATION: POLYVINYLCHLORIDE
3. DIMENSIONS IN BRACKETS [ ] ARE IN MILLIMETERS AND ARE FOR REFERENCE ONLY.
4. UL LISTED & CSA CERTIFIED SPLICING WIRE CONNECTORS PER UL486C (FILE E9498) & CSA C22.2 NO.188 REQUIREMENTS (FILE 252405)
5. DISCONTINUED TOOLS: MR889, MR8891, Y1022HYTOOL  
CONTACT TECH SERVICE FOR INFORMATION ABOUT APPROVED APPLICATIONS (1-800-451-4956)
6. WIRE CONNECTOR:  
600V MAXIMUM  
BUILDING WIRE: 1000V MAXIMUM, SIGNS OR LUMINARIES  
TEMPERATURE RATING OF INSULATING MATERIAL 105°C  
FLAME RATING: UL94 V-0

TO ORDER BURNDY® PRODUCTS CALL		VINYLINK™	
UNITED STATES 1-800-346-4175 (LONDONDERRY, NH)		ITEM NO: N/A	
CANADA: 1-800-361-6975 (QUEBEC) 1-800-387-6487 (ALL OTHER PROVINCES)		CAT. NO: TYPE SP	
FOR PRODUCT INFO: <a href="http://www.burndy.com">http://www.burndy.com</a>		DRAWN BY: RBABU 12/3/2018	
		CHECKER: V.SAKTHIVEL 12/3/2018	
		DSN APRVL: K.CASTONGUAY 12/18/2018	
		MFG APRVL: --	
		QA APRVL: B.POST 12/6/2018	
		MKT APRVL: M.BAILLY 12/6/2018	
		PROD FAM: --	DRAWING NO
		PROJECT #: --	50094190
		DOCUMENT TYPE: SALES	REV
		REL LEVEL: Released	B
		SIZE D	SHEET 1 OF 1