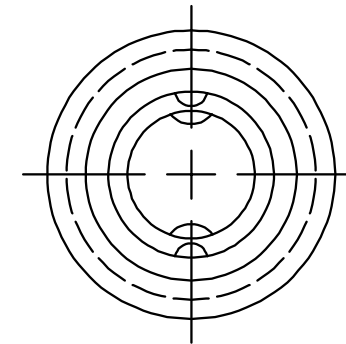
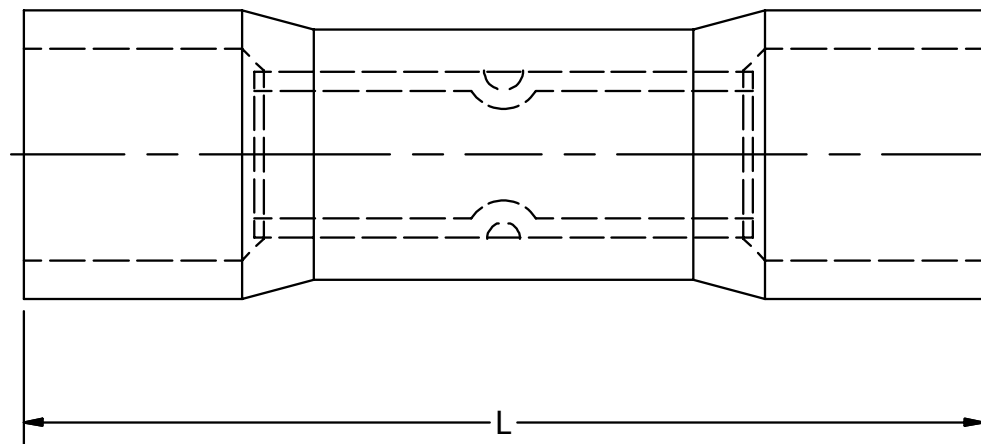


CATALOG NUMBER	COPPER CONDUCTOR SIZE (AWG)	QTY.	INSULATION COLOR CODE	L	MAXIMUM INSULATION DIA.	WIRE STRIP LENGTH	INSTALLATION TOOL		REV	DATE	DESCRIPTION	ECO	BY	C'H'K.
							NON-RATCHET	RATCHET	A	12/27/2012	CREATE SALES DRAWING	29537	PM	MB
SP16	22 - 16 SOL./STR.	100	RED	1.00 [25]	.15 [4]	1/4"	Y10-22, Y10D.	MR8G-98, MR15, MR889-1, MRE1022NV.						
SP14	16 - 14 SOL./STR.	100	BLUE	1.00 [25]	.18 [5]	1/4"								
SP10	12 - 10 STR.	100	YELLOW	1.23 [31]	.26 [7]	21/64"								



NOTES:

1. MATERIAL : SEAMLESS, HIGH CONDUCTIVITY COPPER, INNER SLEEVE
2. INSULATION : VINYL COLOR CODED.
3. FINISH : TIN PLATED.
4. OPERATING PARAMETER : 600 VOLTS MAX., 105° C MAX.
5. DIMENSIONS IN BRACKETS [] ARE IN MILLIMETERS ROUNDED OFF TO THE NEAREST MILLIMETER, UNLESS OTHERWISE SPECIFIED AND ARE FOR REFERENCE ONLY.

TO ORDER BURNDY® PRODUCTS CALL		COPPER SPLICE, VINYLINK™	
UNITED STATES 1-800-346-4175 (LONDONDERRY, NH)		ITEM NO: N/A	
CANADA: 1-800-361-6975 (QUEBEC) 1-800-387-6487 (ALL OTHER PROVINCES)		CAT. NO: SEE TABLE	
FOR PRODUCT INFO: http://www.burndy.com		DRAWN BY: PALANI M 12/27/2012	
		CHECKER: --	
		DSN APRVL: K CASTONGUAY 3/8/2017	
		MFG APRVL: --	
		QA APRVL: C LINQUIST 7/28/2016	
		MKT APRVL: M BAILLY 7/5/2016	
		PROD FAM: --	
		DRAWING NO	
		50016797	
		REV	
		A	
		SHEET 1 OF 1	