

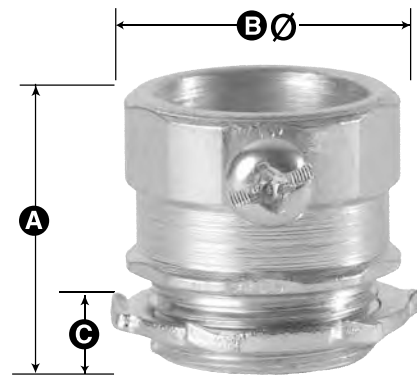


Made in the USA Since 1946

## EMT Connectors Set Screw Type

- For connecting & bonding electrical metallic tubing to a box or enclosure
- Steel, zinc plated \*
- UL rated concrete tight when taped

## SPEC-grade



### EMT Connectors - Set Screw (SS)

| Cat. # | Size   | Unit Ctn | Std Pkg | WT/ 100 |
|--------|--------|----------|---------|---------|
| SS50US | 1/2"   | 50       | 250     | 10      |
| SS51US | 3/4"   | 25       | 125     | 14      |
| SS52US | 1"     | 20       | 100     | 23      |
| SS53US | 1-1/4" | 5        | 25      | 40      |
| SS54US | 1-1/2" | 5        | 25      | 52      |
| SS55US | 2"     | -        | 20      | 80      |
| SS56US | 2-1/2" | -        | 6       | 142     |
| SS57US | 3"     | -        | 6       | 183     |
| SS58US | 3-1/2" | -        | 3       | 250     |
| SS59US | 4"     | -        | 3       | 283     |

\* Fittings 2-1/2" & larger may be steel or malleable iron

### Dimensional Table

| Cat. #   | A<br>Overall Length | B<br>Diameter | C<br>Length of Thread |
|----------|---------------------|---------------|-----------------------|
| SS50/BUS | 1.130               | 1.125         | .375                  |
| SS51/BUS | 1.250               | 1.380         | .375                  |
| SS52/BUS | 1.500               | 1.630         | .500                  |
| SS53/BUS | 2.750               | 2.000         | .500                  |
| SS54/BUS | 2.880               | 2.250         | .500                  |
| SS55/BUS | 2.000               | 2.750         | .625                  |
| SS56/BUS | 3.940               | 3.220         | 1.250                 |
| SS57/BUS | 3.060               | 4.840         | 1.375                 |
| SS58/BUS | 3.380               | 4.360         | 1.375                 |
| SS59/BUS | 3.560               | 4.860         | 1.500                 |

### With Insulated Throat

| Cat. #  | Size   | Unit Ctn | Std Pkg | WT/ 100 |
|---------|--------|----------|---------|---------|
| SS50BUS | 1/2"   | 50       | 250     | 10      |
| SS51BUS | 3/4"   | 25       | 125     | 14      |
| SS52BUS | 1"     | 20       | 100     | 23      |
| SS53BUS | 1-1/4" | 5        | 25      | 40      |
| SS54BUS | 1-1/2" | 5        | 25      | 52      |
| SS55BUS | 2"     | -        | 20      | 80      |
| SS56BUS | 2-1/2" | -        | 6       | 142     |
| SS57BUS | 3"     | -        | 6       | 183     |
| SS58BUS | 3-1/2" | -        | 3       | 250     |
| SS59BUS | 4"     | -        | 3       | 283     |

EMT Conduit Fittings 5

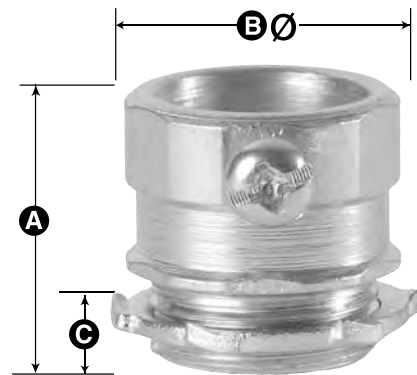


Made in the USA Since 1946

## EMT Connectors Set Screw Type

- For connecting & bonding electrical metallic tubing to a box or enclosure
- Steel, zinc plated \*
- UL rated concrete tight when taped

## SPEC-grade



### EMT Connectors - Set Screw (SS)

| Cat. # | Size   | Unit Ctn | Std Pkg | WT/ 100 |
|--------|--------|----------|---------|---------|
| SS50US | 1/2"   | 50       | 250     | 10      |
| SS51US | 3/4"   | 25       | 125     | 14      |
| SS52US | 1"     | 20       | 100     | 23      |
| SS53US | 1-1/4" | 5        | 25      | 40      |
| SS54US | 1-1/2" | 5        | 25      | 52      |
| SS55US | 2"     | -        | 20      | 80      |
| SS56US | 2-1/2" | -        | 6       | 142     |
| SS57US | 3"     | -        | 6       | 183     |
| SS58US | 3-1/2" | -        | 3       | 250     |
| SS59US | 4"     | -        | 3       | 283     |

\* Fittings 2-1/2" & larger may be steel or malleable iron

### Dimensional Table

| Cat. #   | A<br>Overall Length | B<br>Diameter | C<br>Length of Thread |
|----------|---------------------|---------------|-----------------------|
| SS50/BUS | 1.130               | 1.125         | .375                  |
| SS51/BUS | 1.250               | 1.380         | .375                  |
| SS52/BUS | 1.500               | 1.630         | .500                  |
| SS53/BUS | 2.750               | 2.000         | .500                  |
| SS54/BUS | 2.880               | 2.250         | .500                  |
| SS55/BUS | 2.000               | 2.750         | .625                  |
| SS56/BUS | 3.940               | 3.220         | 1.250                 |
| SS57/BUS | 3.060               | 4.840         | 1.375                 |
| SS58/BUS | 3.380               | 4.360         | 1.375                 |
| SS59/BUS | 3.560               | 4.860         | 1.500                 |

### With Insulated Throat

| Cat. #  | Size   | Unit Ctn | Std Pkg | WT/ 100 |
|---------|--------|----------|---------|---------|
| SS50BUS | 1/2"   | 50       | 250     | 10      |
| SS51BUS | 3/4"   | 25       | 125     | 14      |
| SS52BUS | 1"     | 20       | 100     | 23      |
| SS53BUS | 1-1/4" | 5        | 25      | 40      |
| SS54BUS | 1-1/2" | 5        | 25      | 52      |
| SS55BUS | 2"     | -        | 20      | 80      |
| SS56BUS | 2-1/2" | -        | 6       | 142     |
| SS57BUS | 3"     | -        | 6       | 183     |
| SS58BUS | 3-1/2" | -        | 3       | 250     |
| SS59BUS | 4"     | -        | 3       | 283     |

EMT Conduit Fittings 5