

# Liquidtight ST Series Plain Throat and STB Series Insulated Throat Connectors

For Liquidtight Flexible Metal Conduit

Suitable for use in Class I, Division 2

## Applications

- Provides a dependable connection for liquidtight flexible metal conduit.

## Features

- ST Series has plain throat.
- STB Series has insulated throat to protect against wire damage.
- Seals out oil, water, dust, dirt and fumes.
- Unique long ferrule with more pronounced threads provides over four times UL pull-out requirements.
- Ferrule provides maximum surface contact for better sealing and a continuous, permanent, positive metal-to-metal ground.
- Polypropylene sealing ring with locknut standard.
- Liquidtight/raintight/oiltight.
- Suitable for wet locations.
- Full, machined tapered threads (NPT).
- Compact design with small turning radius.
- Straight, 45° and 90° styles available in trade sizes 3/8" thru 4"

## Standard Material/Finish

- 3/8" thru 1" straight: steel body and compression nut
- 1-1/4" thru 4" straight: malleable iron body and compression nut
- 3/8" thru 4" 45° and 90°: malleable iron body
- 3/8" thru 1" 45° and 90° caps: steel
- 1-1/4" thru 4" 45° and 90° caps: malleable iron
- 3/8" thru 1" ferrule: steel
- 1-1/4" thru 4" ferrule: aluminum
- Steel: zinc electroplate
- Malleable iron: zinc electroplate, chromate and epoxy powder coat/zinc electroplate
- Sealing ring: polypropylene

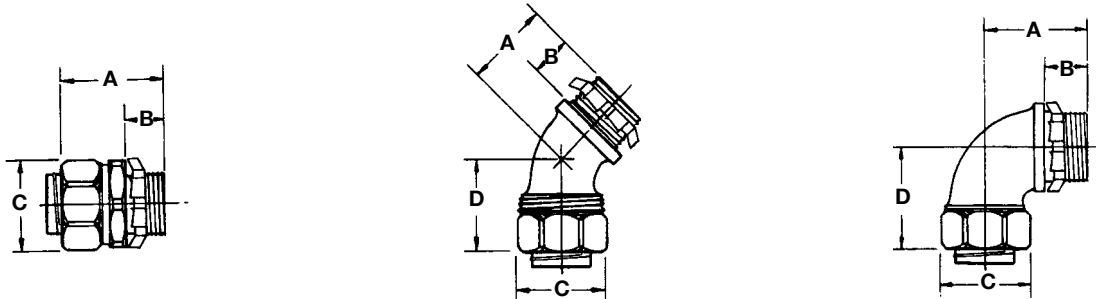
## Certifications and Compliances

- UL Standard: 514B
- UL Listed: E14814
- CSA Standard C22.2 No. 18.3
- CSA Certified: 065178
- NEMA: FB-1

## STD Conduit Thread Size

| Flexible Conduit Size (Inches) | NPT Size |
|--------------------------------|----------|
| 3/8                            | 1/2      |
| 1/2                            | 1/2      |
| 3/4                            | 3/4      |
| 1                              | 1        |
| 1-1/4                          | 1-1/4    |
| 1-1/2                          | 1-1/2    |
| 2                              | 2        |
| 2-1/2                          | 2-1/2    |
| 3                              | 3        |
| 3-1/2                          | 3-1/2    |
| 4                              | 4        |
| 5                              | 5        |

## Dimensions



# Liquidtight ST Series Plain Throat Connectors

For Liquidtight Flexible Metal Conduit

Suitable for use in Class I, Division 2

|   | Catalog Number  | Conduit Size (Inches) | Dimensions in Inches/Millimeters |           |            |             | Weight Lbs./Kgs. Per 100 |
|---|-----------------|-----------------------|----------------------------------|-----------|------------|-------------|--------------------------|
|   |                 |                       | A                                | B         | C          | D           |                          |
| <b>Straight</b>   |                 |                       |                                  |           |            |             |                          |
|    | <b>ST-38</b>    | 3/8 flex, 1/2 hub     | 1.44/36.6                        | 0.63/16.0 | 1.13/28.7  | —           | 16.00/7.26               |
|   | <b>ST-50</b>    | 1/2                   | 1.44/36.6                        | 0.63/16.0 | 1.25/31.8  | —           | 15.00/6.80               |
|   | <b>ST-75</b>    | 3/4                   | 1.50/38.1                        | 0.63/16.0 | 1.50/38.1  | —           | 22.00/9.98               |
|   | <b>ST-100</b>   | 1                     | 1.63/41.4                        | 0.75/19.1 | 1.81/45.9  | —           | 34.00/15.42              |
|    | <b>ST-125</b>   | 1-1/4                 | 2.00/50.8                        | 0.63/16.0 | 2.31/58.7  | —           | 84.00/38.10              |
|   | <b>ST-150</b>   | 1-1/2                 | 2.25/57.2                        | 0.63/16.0 | 2.63/66.8  | —           | 120.00/54.43             |
|   | <b>ST-200</b>   | 2                     | 2.50/63.5                        | 0.69/17.5 | 3.19/81.0  | —           | 165.00/74.84             |
|   | <b>ST-250</b>   | 2-1/2                 | 3.38/85.9                        | 1.06/26.9 | 3.94/100.1 | —           | 350.00/158.76            |
|   | <b>ST-300</b>   | 3                     | 3.69/93.7                        | 1.19/30.2 | 4.38/111.3 | —           | 450.00/204.12            |
|   | <b>ST-350</b>   | 3-1/2                 | 3.69/93.7                        | 1.19/30.2 | 5.00/127.0 | —           | 525.00/238.13            |
|   | <b>ST-400</b>   | 4                     | 4.00/101.6                       | 1.25/31.8 | 5.50/139.7 | —           | 664.00/301.19            |
|   | <b>45°</b>      |                       |                                  |           |            |             |                          |
|  | <b>ST-4538</b>  | 3/8 flex, 1/2 hub     | 0.88/22.4                        | 0.63/16.0 | 1.13/28.7  | 1.13/28.7   | 19.00/8.62               |
|   | <b>ST-4550</b>  | 1/2                   | 0.88/22.4                        | 0.63/16.0 | 1.25/31.8  | 1.13/28.7   | 19.00/8.62               |
|   | <b>ST-4575</b>  | 3/4                   | 1.13/28.7                        | 0.63/16.0 | 1.50/38.1  | 1.25/31.8   | 32.00/14.51              |
|   | <b>ST-45100</b> | 1                     | 1.38/35.1                        | 0.75/19.1 | 1.81/45.9  | 1.81/45.9   | 46.00/20.87              |
|   | <b>ST-45125</b> | 1-1/4                 | 1.63/41.4                        | 0.63/16.0 | 2.31/58.7  | 1.81/45.9   | 103.00/46.72             |
|   | <b>ST-45150</b> | 1-1/2                 | 1.81/45.9                        | 0.63/16.0 | 2.63/66.8  | 2.13/54.1   | 165.00/74.84             |
|   | <b>ST-45200</b> | 2                     | 2.00/50.8                        | 0.69/17.5 | 3.19/81.0  | 2.38/60.5   | 245.00/111.13            |
|   | <b>ST-45250</b> | 2-1/2                 | 3.56/90.4                        | 1.06/26.9 | 3.94/100.1 | 5.00/127.0  | 760.00/344.73            |
|   | <b>ST-45300</b> | 3                     | 4.31/109.5                       | 1.19/30.2 | 4.38/111.3 | 5.81/147.6  | 962.00/436.36            |
|   | <b>ST-45400</b> | 4                     | 4.63/117.6                       | 1.25/31.8 | 5.50/139.7 | 4.00/101.6  | 1512.00/685.83           |
| <b>90°</b>  |                 |                       |                                  |           |            |             |                          |
|  | <b>ST-9038</b>  | 3/8 flex, 1/2 hub     | 1.25/31.8                        | 0.63/16.0 | 1.13/28.7  | 1.50/38.1   | 22.80/10.34              |
|   | <b>ST-9050</b>  | 1/2                   | 1.25/31.8                        | 0.63/16.0 | 1.25/31.8  | 1.50/38.1   | 23.00/10.43              |
|   | <b>ST-9075</b>  | 3/4                   | 1.44/36.6                        | 0.63/16.0 | 1.50/38.1  | 1.56/39.6   | 39.00/17.69              |
|   | <b>ST-90100</b> | 1                     | 1.38/35.1                        | 0.75/19.1 | 1.81/45.9  | 1.88/47.8   | 62.00/28.12              |
|   | <b>ST-90125</b> | 1-1/4                 | 1.81/45.9                        | 0.63/16.0 | 2.31/58.7  | 2.38/60.5   | 114.00/51.71             |
|   | <b>ST-90150</b> | 1-1/2                 | 2.44/61.9                        | 0.63/16.0 | 2.63/66.8  | 3.19/81.0   | 195.00/88.45             |
|   | <b>ST-90200</b> | 2                     | 2.63/66.8                        | 0.69/17.5 | 3.19/81.0  | 3.56/90.4   | 290.00/131.54            |
|   | <b>ST-90250</b> | 2-1/2                 | 7.19/182.6                       | 1.06/26.9 | 3.94/100.1 | 8.44/214.4  | 843.00/382.38            |
|   | <b>ST-90300</b> | 3                     | 8.63/219.2                       | 1.19/30.2 | 4.38/111.3 | 10.13/257.3 | 1100.00/498.95           |
|   | <b>ST-90400</b> | 4                     | 11.25/285.8                      | 1.25/31.8 | 5.50/139.7 | 12.81/325.4 | 2100.00/952.54           |

Commercial Products

COMMERCIAL PRODUCTS: LIQUIDTIGHT CONDUIT FITTINGS

# Liquidtight STB Series Insulated Throat Connectors

For Liquidtight Flexible Metal Conduit

Suitable for use in Class I, Division 2

|   | Catalog Number   | Conduit Size (Inches) | Dimensions in Inches/Millimeters |           |            |             | Weight Lbs./Kgs. Per 100 |
|---|------------------|-----------------------|----------------------------------|-----------|------------|-------------|--------------------------|
|   |                  |                       | A                                | B         | C          | D           |                          |
| <b>Straight</b>   |                  |                       |                                  |           |            |             |                          |
|    | <b>STB-38</b>    | 3/8 flex, 1/2 hub     | 1.44/36.6                        | 0.63/16.0 | 1.13/28.7  | —           | 15.00/6.80               |
|   | <b>STB-50</b>    | 1/2                   | 1.44/36.6                        | 0.63/16.0 | 1.25/31.8  | —           | 16.00/7.26               |
|   | <b>STB-75</b>    | 3/4                   | 1.50/38.1                        | 0.63/16.0 | 1.50/38.1  | —           | 23.00/10.43              |
|   | <b>STB-100</b>   | 1                     | 1.63/41.4                        | 0.75/19.1 | 1.81/45.9  | —           | 34.00/15.42              |
|   | <b>STB-125</b>   | 1-1/4                 | 2.00/50.8                        | 0.63/16.0 | 2.31/58.7  | —           | 84.00/38.10              |
|   | <b>STB-150</b>   | 1-1/2                 | 2.25/57.2                        | 0.63/16.0 | 2.63/66.8  | —           | 119.00/53.98             |
|   | <b>STB-200</b>   | 2                     | 2.50/63.5                        | 0.69/17.5 | 3.19/81.0  | —           | 170.00/77.11             |
|   | <b>STB-250</b>   | 2-1/2                 | 3.38/85.9                        | 1.06/26.9 | 3.94/100.1 | —           | 340.00/154.22            |
|   | <b>STB-300</b>   | 3                     | 3.69/93.7                        | 1.19/30.2 | 4.38/111.3 | —           | 450.00/204.12            |
|   | <b>STB-350</b>   | 3-1/2                 | 3.69/93.7                        | 1.19/30.2 | 5.00/127.0 | —           | 530.00/240.40            |
|   | <b>STB-400</b>   | 4                     | 4.00/101.6                       | 1.25/31.8 | 5.50/139.7 | —           | 655.00/297.10            |
| <b>45°</b>  |                  |                       |                                  |           |            |             |                          |
|  | <b>STB-4538</b>  | 3/8 flex, 1/2 hub     | 0.88/22.4                        | 0.63/16.0 | 1.13/28.7  | 1.13/28.7   | 18.00/8.16               |
|   | <b>STB-4550</b>  | 1/2                   | 0.88/22.4                        | 0.63/16.0 | 1.25/31.8  | 1.13/28.7   | 18.00/8.16               |
|   | <b>STB-4575</b>  | 3/4                   | 1.13/28.7                        | 0.63/16.0 | 1.50/38.1  | 1.25/31.8   | 30.00/13.61              |
|   | <b>STB-45100</b> | 1                     | 1.38/35.1                        | 0.75/19.1 | 1.81/45.9  | 1.81/45.9   | 49.00/22.23              |
|   | <b>STB-45125</b> | 1-1/4                 | 1.63/41.4                        | 0.63/16.0 | 2.31/58.7  | 1.81/45.9   | 102.00/46.27             |
|   | <b>STB-45150</b> | 1-1/2                 | 1.81/45.9                        | 0.63/16.0 | 2.63/66.8  | 2.13/54.1   | 160.00/72.57             |
|   | <b>STB-45200</b> | 2                     | 2.00/50.8                        | 0.69/17.5 | 3.19/81.0  | 2.38/60.5   | 230.00/104.33            |
|   | <b>STB-45250</b> | 2-1/2                 | 3.56/90.4                        | 1.06/26.9 | 3.94/100.1 | 5.00/127.0  | 760.00/344.73            |
|   | <b>STB-45300</b> | 3                     | 4.31/109.5                       | 1.19/30.2 | 4.38/111.3 | 5.81/147.6  | 1000.00/453.59           |
|   | <b>STB-45400</b> | 4                     | 4.63/117.6                       | 1.25/31.8 | 5.50/139.7 | 4.00/101.6  | 1800.00/816.47           |
| <b>90°</b>  |                  |                       |                                  |           |            |             |                          |
|  | <b>STB-9038</b>  | 3/8 flex, 1/2 hub     | 1.25/31.8                        | 0.63/16.0 | 1.13/28.7  | 1.50/38.1   | 23.00/10.43              |
|   | <b>STB-9050</b>  | 1/2                   | 1.25/31.8                        | 0.63/16.0 | 1.25/31.8  | 1.50/38.1   | 24.00/10.89              |
|   | <b>STB-9075</b>  | 3/4                   | 1.44/36.6                        | 0.63/16.0 | 1.50/38.1  | 1.56/39.6   | 38.00/17.24              |
|   | <b>STB-90100</b> | 1                     | 1.38/35.1                        | 0.75/19.1 | 1.81/45.9  | 1.88/47.8   | 58.00/26.31              |
|   | <b>STB-90125</b> | 1-1/4                 | 1.81/45.9                        | 0.63/16.0 | 2.31/58.7  | 2.38/60.5   | 116.00/52.62             |
|   | <b>STB-90150</b> | 1-1/2                 | 2.44/61.9                        | 0.63/16.0 | 2.63/66.8  | 3.19/81.0   | 192.00/87.09             |
|   | <b>STB-90200</b> | 2                     | 2.63/66.8                        | 0.69/17.5 | 3.19/81.0  | 3.56/90.4   | 282.00/127.91            |
|   | <b>STB-90250</b> | 2-1/2                 | 7.19/182.6                       | 1.06/26.9 | 3.94/100.1 | 8.44/214.4  | 840.00/381.02            |
|   | <b>STB-90300</b> | 3                     | 8.63/219.2                       | 1.19/30.2 | 4.38/111.3 | 10.13/257.3 | 1100.00/498.95           |
|   | <b>STB-90400</b> | 4                     | 11.25/285.8                      | 1.25/31.8 | 5.50/139.7 | 12.81/325.4 | 2150.00/975.22           |

Commercial Products

COMMERCIAL PRODUCTS: LIQUIDTIGHT CONDUIT FITTINGS

# Liquidtight ST Series Plain Throat and STB Series Insulated Throat Connectors

For Liquidtight Flexible Metal Conduit

Suitable for use in Class I, Division 2

## Applications

- Provides a dependable connection for liquidtight flexible metal conduit.

## Features

- ST Series has plain throat.
- STB Series has insulated throat to protect against wire damage.
- Seals out oil, water, dust, dirt and fumes.
- Unique long ferrule with more pronounced threads provides over four times UL pull-out requirements.
- Ferrule provides maximum surface contact for better sealing and a continuous, permanent, positive metal-to-metal ground.
- Polypropylene sealing ring with locknut standard.
- Liquidtight/raintight/oiltight.
- Suitable for wet locations.
- Full, machined tapered threads (NPT).
- Compact design with small turning radius.
- Straight, 45° and 90° styles available in trade sizes 3/8" thru 4"

## Standard Material/Finish

- 3/8" thru 1" straight: steel body and compression nut
- 1-1/4" thru 4" straight: malleable iron body and compression nut
- 3/8" thru 4" 45° and 90°: malleable iron body
- 3/8" thru 1" 45° and 90° caps: steel
- 1-1/4" thru 4" 45° and 90° caps: malleable iron
- 3/8" thru 1" ferrule: steel
- 1-1/4" thru 4" ferrule: aluminum
- Steel: zinc electroplate
- Malleable iron: zinc electroplate, chromate and epoxy powder coat/zinc electroplate
- Sealing ring: polypropylene

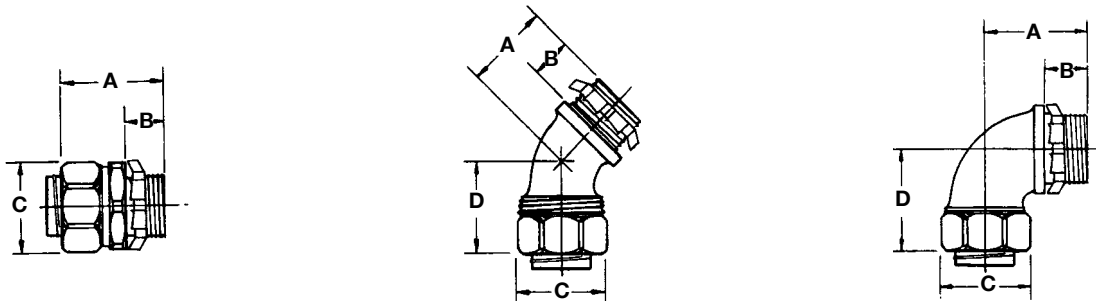
## Certifications and Compliances

- UL Standard: 514B
- UL Listed: E14814
- CSA Standard C22.2 No. 18.3
- CSA Certified: 065178
- NEMA: FB-1

## STD Conduit Thread Size

| Flexible Conduit Size (Inches) | NPT Size |
|--------------------------------|----------|
| 3/8                            | 1/2      |
| 1/2                            | 1/2      |
| 3/4                            | 3/4      |
| 1                              | 1        |
| 1-1/4                          | 1-1/4    |
| 1-1/2                          | 1-1/2    |
| 2                              | 2        |
| 2-1/2                          | 2-1/2    |
| 3                              | 3        |
| 3-1/2                          | 3-1/2    |
| 4                              | 4        |
| 5                              | 5        |

## Dimensions



# Liquidtight ST Series Plain Throat Connectors

For Liquidtight Flexible Metal Conduit

Suitable for use in Class I, Division 2

|   | Catalog Number  | Conduit Size (Inches) | Dimensions in Inches/Millimeters |           |            |             | Weight Lbs./Kgs. Per 100 |
|---|-----------------|-----------------------|----------------------------------|-----------|------------|-------------|--------------------------|
|   |                 |                       | A                                | B         | C          | D           |                          |
| <b>Straight</b>   |                 |                       |                                  |           |            |             |                          |
|    | <b>ST-38</b>    | 3/8 flex, 1/2 hub     | 1.44/36.6                        | 0.63/16.0 | 1.13/28.7  | —           | 16.00/7.26               |
|   | <b>ST-50</b>    | 1/2                   | 1.44/36.6                        | 0.63/16.0 | 1.25/31.8  | —           | 15.00/6.80               |
|   | <b>ST-75</b>    | 3/4                   | 1.50/38.1                        | 0.63/16.0 | 1.50/38.1  | —           | 22.00/9.98               |
|   | <b>ST-100</b>   | 1                     | 1.63/41.4                        | 0.75/19.1 | 1.81/45.9  | —           | 34.00/15.42              |
|    | <b>ST-125</b>   | 1-1/4                 | 2.00/50.8                        | 0.63/16.0 | 2.31/58.7  | —           | 84.00/38.10              |
|   | <b>ST-150</b>   | 1-1/2                 | 2.25/57.2                        | 0.63/16.0 | 2.63/66.8  | —           | 120.00/54.43             |
|   | <b>ST-200</b>   | 2                     | 2.50/63.5                        | 0.69/17.5 | 3.19/81.0  | —           | 165.00/74.84             |
|   | <b>ST-250</b>   | 2-1/2                 | 3.38/85.9                        | 1.06/26.9 | 3.94/100.1 | —           | 350.00/158.76            |
|   | <b>ST-300</b>   | 3                     | 3.69/93.7                        | 1.19/30.2 | 4.38/111.3 | —           | 450.00/204.12            |
|   | <b>ST-350</b>   | 3-1/2                 | 3.69/93.7                        | 1.19/30.2 | 5.00/127.0 | —           | 525.00/238.13            |
|   | <b>ST-400</b>   | 4                     | 4.00/101.6                       | 1.25/31.8 | 5.50/139.7 | —           | 664.00/301.19            |
|   | <b>45°</b>      |                       |                                  |           |            |             |                          |
|  | <b>ST-4538</b>  | 3/8 flex, 1/2 hub     | 0.88/22.4                        | 0.63/16.0 | 1.13/28.7  | 1.13/28.7   | 19.00/8.62               |
|   | <b>ST-4550</b>  | 1/2                   | 0.88/22.4                        | 0.63/16.0 | 1.25/31.8  | 1.13/28.7   | 19.00/8.62               |
|   | <b>ST-4575</b>  | 3/4                   | 1.13/28.7                        | 0.63/16.0 | 1.50/38.1  | 1.25/31.8   | 32.00/14.51              |
|   | <b>ST-45100</b> | 1                     | 1.38/35.1                        | 0.75/19.1 | 1.81/45.9  | 1.81/45.9   | 46.00/20.87              |
|   | <b>ST-45125</b> | 1-1/4                 | 1.63/41.4                        | 0.63/16.0 | 2.31/58.7  | 1.81/45.9   | 103.00/46.72             |
|   | <b>ST-45150</b> | 1-1/2                 | 1.81/45.9                        | 0.63/16.0 | 2.63/66.8  | 2.13/54.1   | 165.00/74.84             |
|   | <b>ST-45200</b> | 2                     | 2.00/50.8                        | 0.69/17.5 | 3.19/81.0  | 2.38/60.5   | 245.00/111.13            |
|   | <b>ST-45250</b> | 2-1/2                 | 3.56/90.4                        | 1.06/26.9 | 3.94/100.1 | 5.00/127.0  | 760.00/344.73            |
|   | <b>ST-45300</b> | 3                     | 4.31/109.5                       | 1.19/30.2 | 4.38/111.3 | 5.81/147.6  | 962.00/436.36            |
|   | <b>ST-45400</b> | 4                     | 4.63/117.6                       | 1.25/31.8 | 5.50/139.7 | 4.00/101.6  | 1512.00/685.83           |
| <b>90°</b>  |                 |                       |                                  |           |            |             |                          |
|  | <b>ST-9038</b>  | 3/8 flex, 1/2 hub     | 1.25/31.8                        | 0.63/16.0 | 1.13/28.7  | 1.50/38.1   | 22.80/10.34              |
|   | <b>ST-9050</b>  | 1/2                   | 1.25/31.8                        | 0.63/16.0 | 1.25/31.8  | 1.50/38.1   | 23.00/10.43              |
|   | <b>ST-9075</b>  | 3/4                   | 1.44/36.6                        | 0.63/16.0 | 1.50/38.1  | 1.56/39.6   | 39.00/17.69              |
|   | <b>ST-90100</b> | 1                     | 1.38/35.1                        | 0.75/19.1 | 1.81/45.9  | 1.88/47.8   | 62.00/28.12              |
|   | <b>ST-90125</b> | 1-1/4                 | 1.81/45.9                        | 0.63/16.0 | 2.31/58.7  | 2.38/60.5   | 114.00/51.71             |
|   | <b>ST-90150</b> | 1-1/2                 | 2.44/61.9                        | 0.63/16.0 | 2.63/66.8  | 3.19/81.0   | 195.00/88.45             |
|   | <b>ST-90200</b> | 2                     | 2.63/66.8                        | 0.69/17.5 | 3.19/81.0  | 3.56/90.4   | 290.00/131.54            |
|   | <b>ST-90250</b> | 2-1/2                 | 7.19/182.6                       | 1.06/26.9 | 3.94/100.1 | 8.44/214.4  | 843.00/382.38            |
|   | <b>ST-90300</b> | 3                     | 8.63/219.2                       | 1.19/30.2 | 4.38/111.3 | 10.13/257.3 | 1100.00/498.95           |
|   | <b>ST-90400</b> | 4                     | 11.25/285.8                      | 1.25/31.8 | 5.50/139.7 | 12.81/325.4 | 2100.00/952.54           |

Commercial Products

COMMERCIAL PRODUCTS: LIQUIDTIGHT CONDUIT FITTINGS

# Liquidtight STB Series Insulated Throat Connectors

For Liquidtight Flexible Metal Conduit

Suitable for use in Class I, Division 2

|   | Catalog Number   | Conduit Size (Inches) | Dimensions in Inches/Millimeters |           |            |             | Weight Lbs./Kgs. Per 100 |
|---|------------------|-----------------------|----------------------------------|-----------|------------|-------------|--------------------------|
|   |                  |                       | A                                | B         | C          | D           |                          |
| <b>Straight</b>   |                  |                       |                                  |           |            |             |                          |
|    | <b>STB-38</b>    | 3/8 flex, 1/2 hub     | 1.44/36.6                        | 0.63/16.0 | 1.13/28.7  | —           | 15.00/6.80               |
|   | <b>STB-50</b>    | 1/2                   | 1.44/36.6                        | 0.63/16.0 | 1.25/31.8  | —           | 16.00/7.26               |
|   | <b>STB-75</b>    | 3/4                   | 1.50/38.1                        | 0.63/16.0 | 1.50/38.1  | —           | 23.00/10.43              |
|   | <b>STB-100</b>   | 1                     | 1.63/41.4                        | 0.75/19.1 | 1.81/45.9  | —           | 34.00/15.42              |
|   | <b>STB-125</b>   | 1-1/4                 | 2.00/50.8                        | 0.63/16.0 | 2.31/58.7  | —           | 84.00/38.10              |
|   | <b>STB-150</b>   | 1-1/2                 | 2.25/57.2                        | 0.63/16.0 | 2.63/66.8  | —           | 119.00/53.98             |
|   | <b>STB-200</b>   | 2                     | 2.50/63.5                        | 0.69/17.5 | 3.19/81.0  | —           | 170.00/77.11             |
|   | <b>STB-250</b>   | 2-1/2                 | 3.38/85.9                        | 1.06/26.9 | 3.94/100.1 | —           | 340.00/154.22            |
|   | <b>STB-300</b>   | 3                     | 3.69/93.7                        | 1.19/30.2 | 4.38/111.3 | —           | 450.00/204.12            |
|   | <b>STB-350</b>   | 3-1/2                 | 3.69/93.7                        | 1.19/30.2 | 5.00/127.0 | —           | 530.00/240.40            |
|   | <b>STB-400</b>   | 4                     | 4.00/101.6                       | 1.25/31.8 | 5.50/139.7 | —           | 655.00/297.10            |
| <b>45°</b>  |                  |                       |                                  |           |            |             |                          |
|  | <b>STB-4538</b>  | 3/8 flex, 1/2 hub     | 0.88/22.4                        | 0.63/16.0 | 1.13/28.7  | 1.13/28.7   | 18.00/8.16               |
|   | <b>STB-4550</b>  | 1/2                   | 0.88/22.4                        | 0.63/16.0 | 1.25/31.8  | 1.13/28.7   | 18.00/8.16               |
|   | <b>STB-4575</b>  | 3/4                   | 1.13/28.7                        | 0.63/16.0 | 1.50/38.1  | 1.25/31.8   | 30.00/13.61              |
|   | <b>STB-45100</b> | 1                     | 1.38/35.1                        | 0.75/19.1 | 1.81/45.9  | 1.81/45.9   | 49.00/22.23              |
|   | <b>STB-45125</b> | 1-1/4                 | 1.63/41.4                        | 0.63/16.0 | 2.31/58.7  | 1.81/45.9   | 102.00/46.27             |
|   | <b>STB-45150</b> | 1-1/2                 | 1.81/45.9                        | 0.63/16.0 | 2.63/66.8  | 2.13/54.1   | 160.00/72.57             |
|   | <b>STB-45200</b> | 2                     | 2.00/50.8                        | 0.69/17.5 | 3.19/81.0  | 2.38/60.5   | 230.00/104.33            |
|   | <b>STB-45250</b> | 2-1/2                 | 3.56/90.4                        | 1.06/26.9 | 3.94/100.1 | 5.00/127.0  | 760.00/344.73            |
|   | <b>STB-45300</b> | 3                     | 4.31/109.5                       | 1.19/30.2 | 4.38/111.3 | 5.81/147.6  | 1000.00/453.59           |
|   | <b>STB-45400</b> | 4                     | 4.63/117.6                       | 1.25/31.8 | 5.50/139.7 | 4.00/101.6  | 1800.00/816.47           |
| <b>90°</b>  |                  |                       |                                  |           |            |             |                          |
|  | <b>STB-9038</b>  | 3/8 flex, 1/2 hub     | 1.25/31.8                        | 0.63/16.0 | 1.13/28.7  | 1.50/38.1   | 23.00/10.43              |
|   | <b>STB-9050</b>  | 1/2                   | 1.25/31.8                        | 0.63/16.0 | 1.25/31.8  | 1.50/38.1   | 24.00/10.89              |
|   | <b>STB-9075</b>  | 3/4                   | 1.44/36.6                        | 0.63/16.0 | 1.50/38.1  | 1.56/39.6   | 38.00/17.24              |
|   | <b>STB-90100</b> | 1                     | 1.38/35.1                        | 0.75/19.1 | 1.81/45.9  | 1.88/47.8   | 58.00/26.31              |
|   | <b>STB-90125</b> | 1-1/4                 | 1.81/45.9                        | 0.63/16.0 | 2.31/58.7  | 2.38/60.5   | 116.00/52.62             |
|   | <b>STB-90150</b> | 1-1/2                 | 2.44/61.9                        | 0.63/16.0 | 2.63/66.8  | 3.19/81.0   | 192.00/87.09             |
|   | <b>STB-90200</b> | 2                     | 2.63/66.8                        | 0.69/17.5 | 3.19/81.0  | 3.56/90.4   | 282.00/127.91            |
|   | <b>STB-90250</b> | 2-1/2                 | 7.19/182.6                       | 1.06/26.9 | 3.94/100.1 | 8.44/214.4  | 840.00/381.02            |
|   | <b>STB-90300</b> | 3                     | 8.63/219.2                       | 1.19/30.2 | 4.38/111.3 | 10.13/257.3 | 1100.00/498.95           |
|   | <b>STB-90400</b> | 4                     | 11.25/285.8                      | 1.25/31.8 | 5.50/139.7 | 12.81/325.4 | 2150.00/975.22           |

Commercial Products

COMMERCIAL PRODUCTS: LIQUIDTIGHT CONDUIT FITTINGS