

## Sunnata LED+ Dimmer: **STCL-153P**

**Note: STCL-153P is pending obsolescence. The new model number is STCL-153M.**

Touch dimmer with advanced technology for dimming LED, CFL, Incandescent, and Halogen bulbs.

### Features

- Touch dimmer with on/off paddle switch that fits in a standard designer wallplate opening.
- Advanced dimming technology designed for compatibility with a broad range of high efficacy bulbs.
- UL® Listed to control:
  - Dimmable LED with integrated driver
  - Halogen
  - Incandescent
  - Dimmable Compact Fluorescent Lamps (CFLs) with integrated ballast
- Low-end and high-end adjustments to accommodate a wide range of bulbs.
- No neutral required for wiring into any home.
- Can be used in single-pole or 3-way mechanical switch<sup>1</sup> applications.
- Coordinating Claro and Stainless Steel wallplates available separately.
- 100% factory tested.
- NEMA SSL-7A Compliant.

### Product Specific Features

- Capable of controlling up to 150 W Dimmable LED/CFL or 600 W Incandescent/Halogen or mixed bulb type per **Multigang and Mixed Bulb Type Ratings** table (see page 3).



Wallplate sold separately

### Model Number

**STCL-153P-XX**<sup>2,3</sup> Single-pole/3-way<sup>1</sup>

**STCL-153P-XX-C**<sup>2,3,4</sup> Single-pole/3-way<sup>1</sup>

**Please note, STCL-153P is pending obsolescence. STCL-153M is the replacement model number and meets all of the specifications of STCL-153P. See the STCL-153M Specification Submittal (P/N 3691167) at [www.lutron.com/SunnataSupport](http://www.lutron.com/SunnataSupport)**

### Notes:

- <sup>1</sup> An additional wiring step is required for 3-way mechanical switch applications. Not for use in 4-way mechanical switch applications. Not compatible with Lutron Maestro accessory dimmers.
- <sup>2</sup> "XX" Color codes, see section "Colors and Finishes" on the next page.
- <sup>3</sup> For clamshell packaging add "H" after "153P".
- <sup>4</sup> For clamshell packaged product for Canada add "C" after the color code.

|                    |                       |
|--------------------|-----------------------|
| <b>Job Name:</b>   | <b>Model Numbers:</b> |
| <b>Job Number:</b> |                       |

## Specifications: **STCL-153P**

### Regulatory Approvals

- UL® Listed to U.S. and Canadian safety requirements (UL 1472/CSA C22.2 184.1)
- NOM
- FCC/IC

### Power and Ratings

- 120 V~ 60 Hz
- Maximum Load
  - 150 W Dimmable LED/CFL
  - or**
  - 600 W Incandescent/Halogen
  - or**
  - Mixed bulb type per **Multigang and Mixed Bulb Type Ratings** table (see page 3)
- Minimum Load
  - Visit the online tool at [lutron.com/LEDfinder](http://lutron.com/LEDfinder) for LED/CFL
  - or**
  - 25 W Incandescent/Halogen

### Environment

- For indoor use only
- Operating temperatures 32 °F (0 °C) to 104 °F (40 °C)

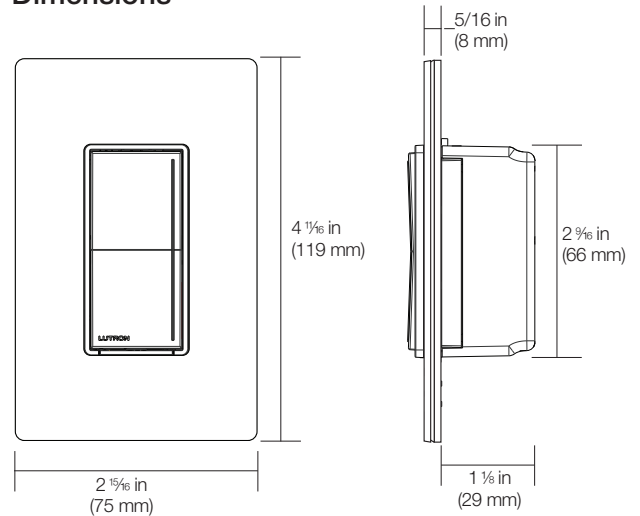
### Performance

- Power-failure memory
- Touch dimmer to go to any light level
- Electrostatic discharge tested
- Precise color matching
- Includes a Front Accessible Service Switch (FASS) for safe bulb replacement

### Application Requirements

- **When using LEDs or CFLs, only bulbs marked or rated as Dimmable can be used.**
- To access our mobile friendly online tool of DIMMABLE LEDs and CFLs visit [www.lutron.com/LEDfinder](http://www.lutron.com/LEDfinder)

### Dimensions



**Note:** Requires a U.S. wallbox 2 1/4 in (57 mm) deep minimum.

### Warranty

- 1 Year Limited Warranty. For additional Warranty information, please visit [www.lutron.com/TechnicalDocumentLibrary/369-119\\_Wallbox\\_Warranty.pdf](http://www.lutron.com/TechnicalDocumentLibrary/369-119_Wallbox_Warranty.pdf)



### Colors and Finishes

#### Gloss Finishes

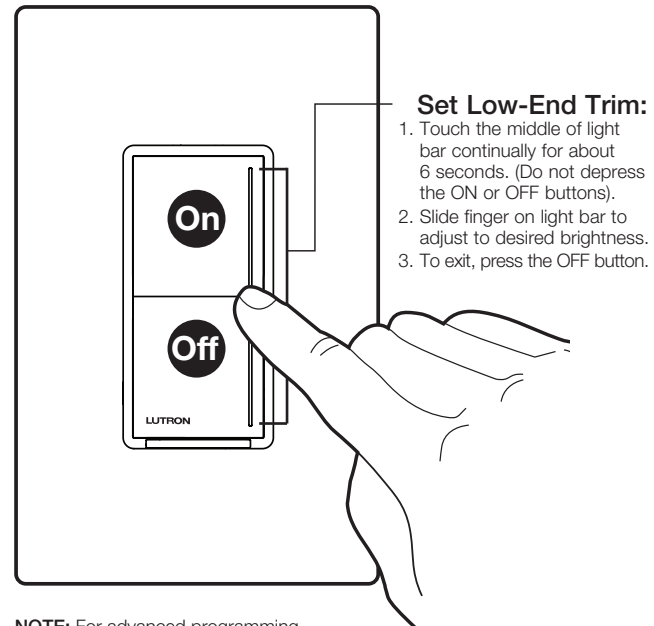
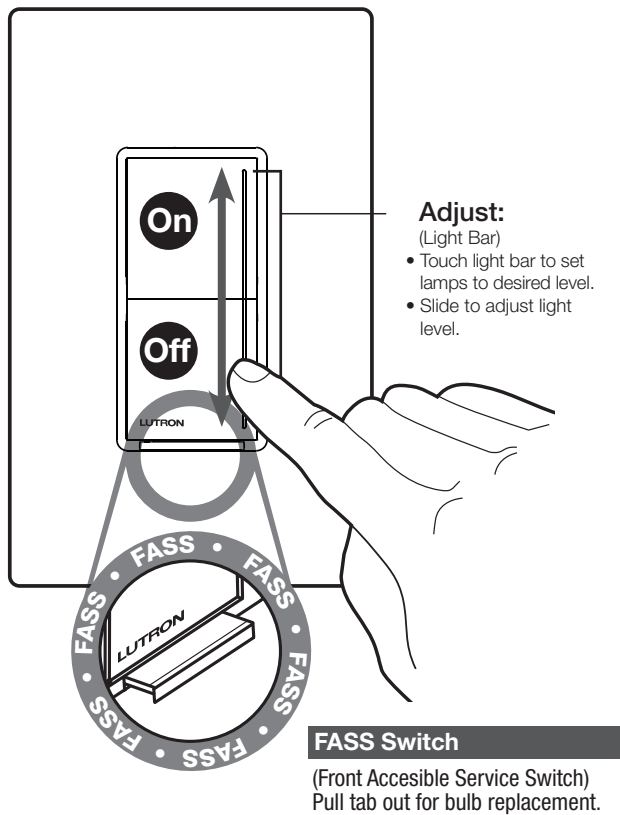
- WH White
- IV Ivory
- LA Light Almond
- BL Black

|             |                |
|-------------|----------------|
| Job Name:   | Model Numbers: |
| Job Number: |                |

### Multigang and Mixed-Bulb-Type Ratings: **STCL-153P**

| Total LED•CFL<br>Wattage Installed<br>(Watts per bulb X # of bulbs) |  LED<br> CFL | Maximum Allowable<br>Incandescent/Halogen Wattage |                |             |
|---|--|---|----------------|-------------|
|   |  | Single Gang                                       | Middle of Gang | End of Gang |
| 0 W   | +  | 600 W   | 500 W          | 400 W       |
| 1 W – 25 W  | +  | 500 W   | 400 W          | 300 W       |
| 26 W – 50 W   | +  | 400 W   | 300 W          | 200 W       |
| 51 W – 75 W   | +  | 300 W   | 200 W          | 100 W       |
| 76 W – 100 W  | +  | 200 W   | 100 W          | 50 W        |
| 101 W – 125 W   | +  | 100 W   | 50 W           | 0 W         |
| 126 W – 150 W   | +  | 0 W   | 0 W            | 0 W         |

### Operation: **STCL-153P**



**NOTE:** For advanced programming options see the **Sunnata Advanced Programming Mode**, Application Note (P/N 048734), at [www.lutron.com/SunnataAFM](http://www.lutron.com/SunnataAFM)

For videos and step by step instructions, please see [www.lutron.com/wiringwizard](http://www.lutron.com/wiringwizard)

|             |                |
|-------------|----------------|
| Job Name:   | Model Numbers: |
| Job Number: |                |

## MyLevel Personalization Advanced Features

Sunnata dimmers contain advanced features that allow users to customize the control to meet their specific needs. Before entering MyLevel, it is important to have a good understanding of the advanced features.

### Explanation of Advanced Features

- **High-End Trim:** Adjust the maximum light level of the load.
- **Low-End Trim:** Adjust the minimum light level of the load.
- **Idle/Locator Light:** Select between ON and OFF for the Light Bar when not interacting with the control.
- **Light Bar Brightness:** Select between high, medium, and low brightness of the control's light bar.
- **Preset Light Level:** Change the behavior of the device when the ON button is pressed from the OFF state to ON.
- **Restore Factory Default Settings:** Return the control to its original settings.

### Default Settings

| Feature              | Default   |
|----------------------|---|
| High-end Trim        | ~114 V~   |
| Low-end Trim         | ~22 V   |
| Idle/Locator Light   | ON/ON   |
| Light Bar Brightness | Medium brightness   |
| Preset Light Level   | Pressing the ON button always sets the lights to full (locked preset at high-end) |

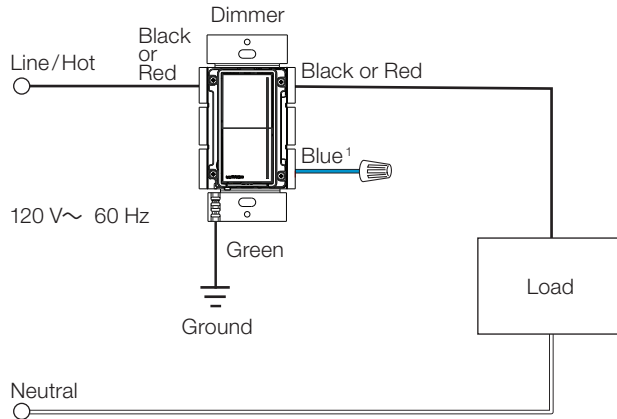
Please refer to the **Sunnata Dimmer MyLevel Personalization Application Note** (P/N 048734) at [www.lutron.com/SunnataMyLevel](http://www.lutron.com/SunnataMyLevel) for more information.

|             |                |
|-------------|----------------|
| Job Name:   | Model Numbers: |
| Job Number: |                |

### Wiring Diagrams: **STCL-153P only**

Please note: **STCL-153M** has additional wiring configurations for 3-way and multi-location. See the **STCL-153M Specification Submittal P/N 3691167** at [www.lutron.com/SunnataSupport](http://www.lutron.com/SunnataSupport)

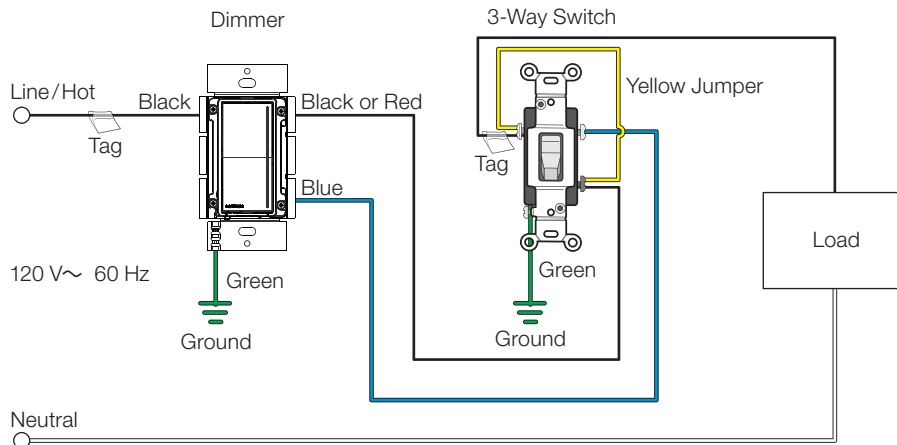
#### Single Pole Wiring



<sup>1</sup> When using controls in single location installations, cap the blue terminal with a wirenut. Do not connect the blue wire to any other wiring or to ground.

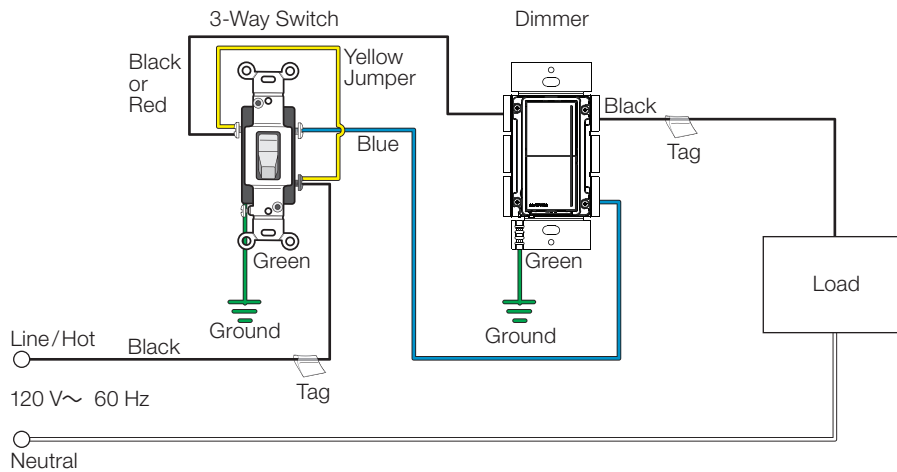
#### 3-Way Wiring (Using 3-Way Mechanical Switch)

##### Dimmer Line Side



**Note:** Dimmer can be installed on the line side or load side of the circuit. Not compatible with Lutron accessory switches or dimmers.

##### Dimmer Load Side



The Lutron logo, Lutron, FASS, LED+, and Sunnata are trademarks or registered trademarks of Lutron Electronics Co., Inc. in the US and/or other countries. All other product names, logos, and brands are property of their respective owners.

|             |                |
|-------------|----------------|
| Job Name:   | Model Numbers: |
| Job Number: |                |

## Sunnata LED+ Dimmer: **STCL-153P**

**Note: STCL-153P is pending obsolescence. The new model number is STCL-153M.**

Touch dimmer with advanced technology for dimming LED, CFL, Incandescent, and Halogen bulbs.

### Features

- Touch dimmer with on/off paddle switch that fits in a standard designer wallplate opening.
- Advanced dimming technology designed for compatibility with a broad range of high efficacy bulbs.
- UL® Listed to control:
  - Dimmable LED with integrated driver
  - Halogen
  - Incandescent
  - Dimmable Compact Fluorescent Lamps (CFLs) with integrated ballast
- Low-end and high-end adjustments to accommodate a wide range of bulbs.
- No neutral required for wiring into any home.
- Can be used in single-pole or 3-way mechanical switch<sup>1</sup> applications.
- Coordinating Claro and Stainless Steel wallplates available separately.
- 100% factory tested.
- NEMA SSL-7A Compliant.

### Product Specific Features

- Capable of controlling up to 150 W Dimmable LED/CFL or 600 W Incandescent/Halogen or mixed bulb type per **Multigang and Mixed Bulb Type Ratings** table (see page 3).



Wallplate sold separately

### Model Number

**STCL-153P-XX**<sup>2,3</sup> Single-pole/3-way<sup>1</sup>

**STCL-153P-XX-C**<sup>2,3,4</sup> Single-pole/3-way<sup>1</sup>

**Please note, STCL-153P is pending obsolescence. STCL-153M is the replacement model number and meets all of the specifications of STCL-153P. See the STCL-153M Specification Submittal (P/N 3691167) at [www.lutron.com/SunnataSupport](http://www.lutron.com/SunnataSupport)**

### Notes:

- <sup>1</sup> An additional wiring step is required for 3-way mechanical switch applications. Not for use in 4-way mechanical switch applications. Not compatible with Lutron Maestro accessory dimmers.
- <sup>2</sup> "XX" Color codes, see section "Colors and Finishes" on the next page.
- <sup>3</sup> For clamshell packaging add "H" after "153P".
- <sup>4</sup> For clamshell packaged product for Canada add "C" after the color code.

|                    |                       |
|--------------------|-----------------------|
| <b>Job Name:</b>   | <b>Model Numbers:</b> |
| <b>Job Number:</b> |                       |

## Specifications: **STCL-153P**

### Regulatory Approvals

- UL® Listed to U.S. and Canadian safety requirements (UL 1472/CSA C22.2 184.1)
- NOM
- FCC/IC

### Power and Ratings

- 120 V~ 60 Hz
- Maximum Load
  - 150 W Dimmable LED/CFL
  - or**
  - 600 W Incandescent/Halogen
  - or**
  - Mixed bulb type per **Multigang and Mixed Bulb Type Ratings** table (see page 3)
- Minimum Load
  - Visit the online tool at [lutron.com/LEDfinder](http://lutron.com/LEDfinder) for LED/CFL
  - or**
  - 25 W Incandescent/Halogen

### Environment

- For indoor use only
- Operating temperatures 32 °F (0 °C) to 104 °F (40 °C)

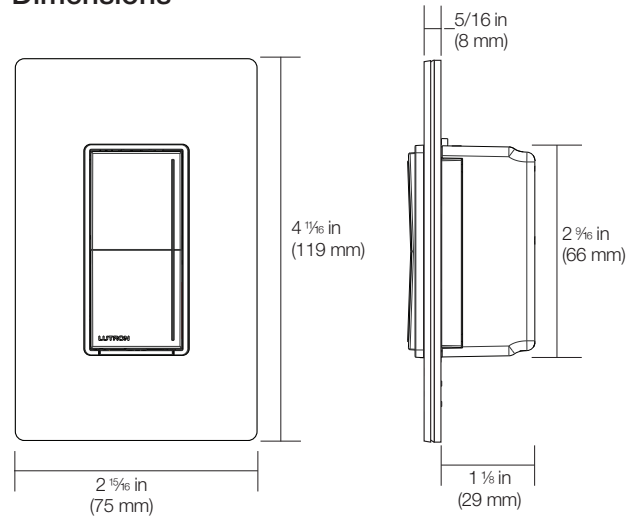
### Performance

- Power-failure memory
- Touch dimmer to go to any light level
- Electrostatic discharge tested
- Precise color matching
- Includes a Front Accessible Service Switch (FASS) for safe bulb replacement

### Application Requirements

- **When using LEDs or CFLs, only bulbs marked or rated as Dimmable can be used.**
- To access our mobile friendly online tool of DIMMABLE LEDs and CFLs visit [www.lutron.com/LEDfinder](http://www.lutron.com/LEDfinder)

### Dimensions



**Note:** Requires a U.S. wallbox 2 1/4 in (57 mm) deep minimum.

### Warranty

- 1 Year Limited Warranty. For additional Warranty information, please visit [www.lutron.com/TechnicalDocumentLibrary/369-119\\_Wallbox\\_Warranty.pdf](http://www.lutron.com/TechnicalDocumentLibrary/369-119_Wallbox_Warranty.pdf)



### Colors and Finishes

#### Gloss Finishes

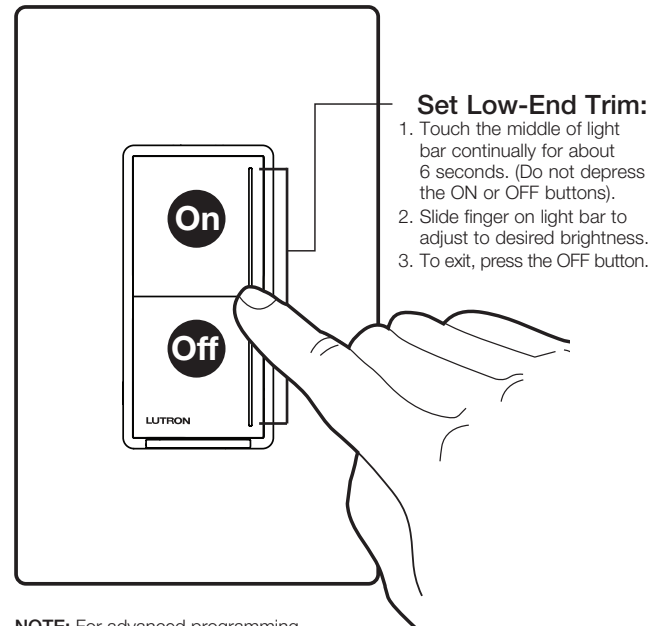
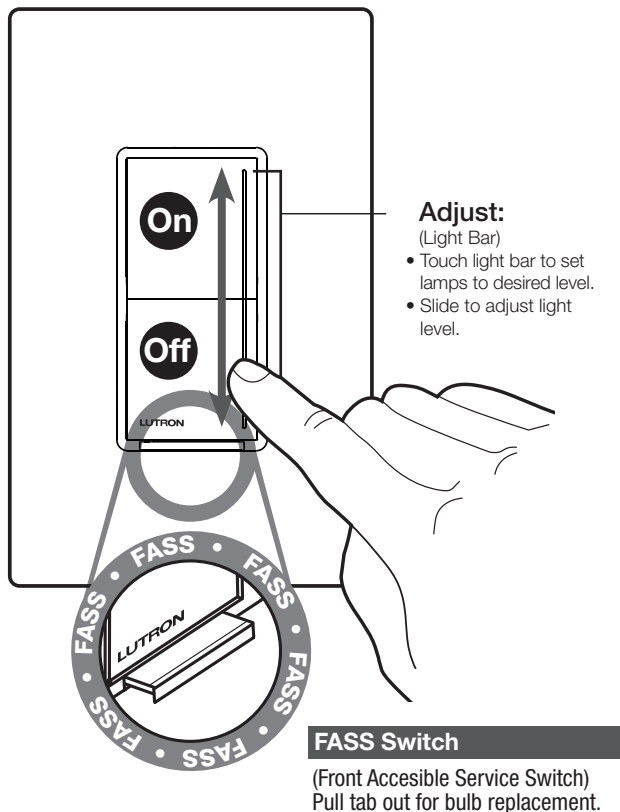
|    |              |
|----|--------------|
| WH | White        |
| IV | Ivory        |
| LA | Light Almond |
| BL | Black        |

|                    |                       |
|--------------------|-----------------------|
| <b>Job Name:</b>   | <b>Model Numbers:</b> |
| <b>Job Number:</b> |                       |

### Multigang and Mixed-Bulb-Type Ratings: **STCL-153P**

| Total LED•CFL<br>Wattage Installed<br>(Watts per bulb X # of bulbs) |  LED<br> CFL | Maximum Allowable<br>Incandescent/Halogen Wattage |                |             |
|---|--|---|----------------|-------------|
|   |  | Single Gang                                       | Middle of Gang | End of Gang |
| 0 W   | +  | 600 W   | 500 W          | 400 W       |
| 1 W – 25 W  | +  | 500 W   | 400 W          | 300 W       |
| 26 W – 50 W   | +  | 400 W   | 300 W          | 200 W       |
| 51 W – 75 W   | +  | 300 W   | 200 W          | 100 W       |
| 76 W – 100 W  | +  | 200 W   | 100 W          | 50 W        |
| 101 W – 125 W   | +  | 100 W   | 50 W           | 0 W         |
| 126 W – 150 W   | +  | 0 W   | 0 W            | 0 W         |

### Operation: **STCL-153P**



**NOTE:** For advanced programming options see the **Sunnata Advanced Programming Mode**, Application Note (P/N 048734), at [www.lutron.com/SunnataAFM](http://www.lutron.com/SunnataAFM)

For videos and step by step instructions, please see [www.lutron.com/wiringwizard](http://www.lutron.com/wiringwizard)

|             |                |
|-------------|----------------|
| Job Name:   | Model Numbers: |
| Job Number: |                |



## MyLevel Personalization Advanced Features

Sunnata dimmers contain advanced features that allow users to customize the control to meet their specific needs. Before entering MyLevel, it is important to have a good understanding of the advanced features.

### Explanation of Advanced Features

- **High-End Trim:** Adjust the maximum light level of the load.
- **Low-End Trim:** Adjust the minimum light level of the load.
- **Idle/Locator Light:** Select between ON and OFF for the Light Bar when not interacting with the control.
- **Light Bar Brightness:** Select between high, medium, and low brightness of the control's light bar.
- **Preset Light Level:** Change the behavior of the device when the ON button is pressed from the OFF state to ON.
- **Restore Factory Default Settings:** Return the control to its original settings.

### Default Settings

| Feature              | Default   |
|----------------------|---|
| High-end Trim        | ~114 V~   |
| Low-end Trim         | ~22 V   |
| Idle/Locator Light   | ON/ON   |
| Light Bar Brightness | Medium brightness   |
| Preset Light Level   | Pressing the ON button always sets the lights to full (locked preset at high-end) |

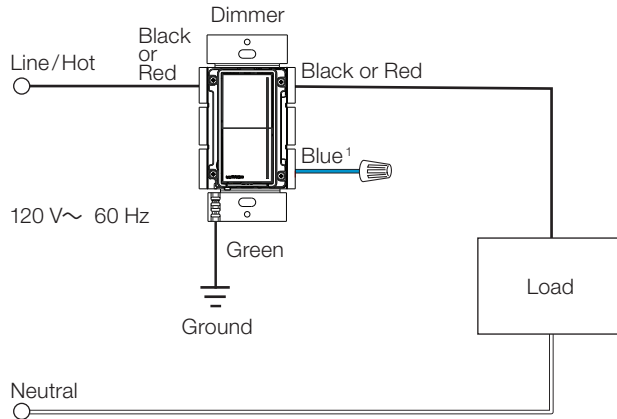
Please refer to the **Sunnata Dimmer MyLevel Personalization Application Note** (P/N 048734) at [www.lutron.com/SunnataMyLevel](http://www.lutron.com/SunnataMyLevel) for more information.

|             |                |
|-------------|----------------|
| Job Name:   | Model Numbers: |
| Job Number: |                |

### Wiring Diagrams: **STCL-153P only**

Please note: **STCL-153M** has additional wiring configurations for 3-way and multi-location. See the **STCL-153M Specification Submittal P/N 3691167** at [www.lutron.com/SunnataSupport](http://www.lutron.com/SunnataSupport)

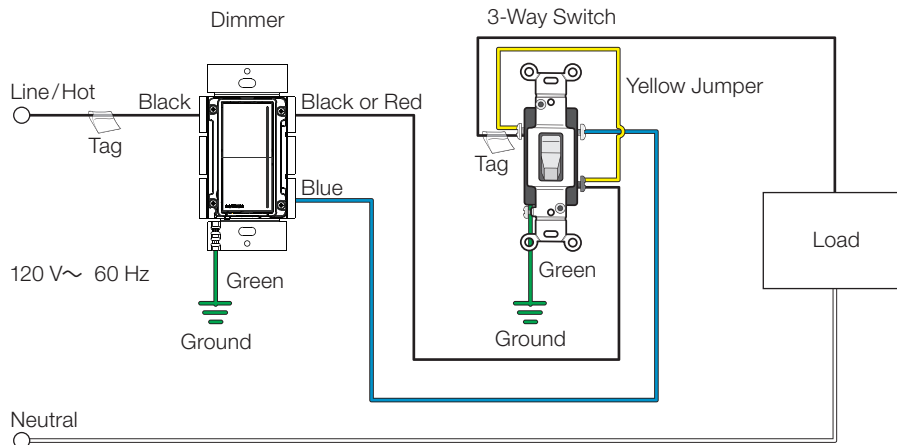
#### Single Pole Wiring



<sup>1</sup> When using controls in single location installations, cap the blue terminal with a wirenut. Do not connect the blue wire to any other wiring or to ground.

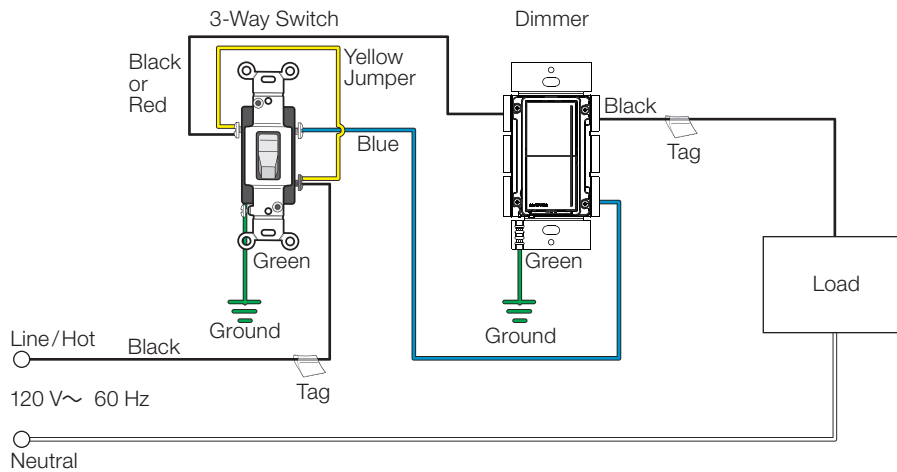
#### 3-Way Wiring (Using 3-Way Mechanical Switch)

##### Dimmer Line Side



**Note:** Dimmer can be installed on the line side or load side of the circuit. Not compatible with Lutron accessory switches or dimmers.

##### Dimmer Load Side



The Lutron logo, Lutron, FASS, LED+, and Sunnata are trademarks or registered trademarks of Lutron Electronics Co., Inc. in the US and/or other countries. All other product names, logos, and brands are property of their respective owners.

|             |                |
|-------------|----------------|
| Job Name:   | Model Numbers: |
| Job Number: |                |