



Super Stealth Sensor with Total 360 + 180 "Can't Miss" Coverage, Surge Protection, Scanning LEDs, Evening Timer and Color Matched Lens, universal CU4 cover plate included.

Color: Bronze

Weight: 1.5 lbs

Project:	Type:
Prepared By:	Date:

Technical Specifications

Compliance

UL Listed:

Suitable for wet locations

Electrical

Voltage:

120 volts AC 60 Hz

Power Consumption:

1W

Surge Protection:

Withstands up to 6000 volts

Wall Switch Manual Override:

Two flip logic prevents activation by momentary power outages. Override resets to auto at dawn. No extra wiring needed.

RF Immunity:

Circuits fully shielded for maximum radio frequency immunity

Switching Capacity:

8 amps, 1000 watts incandescent @ 120 volts

Sensor Specifications

Time Adjustment:

5 seconds to 12 minutes

Wide Sensitivity Control:

Adjustable from 100% to 30%

Evening Timer:

Keeps lights on for 1-8 hours after dusk. Then sensor is motion activated until dawn.

Set it and forget it:

STL360's full coverage pattern reduces need for aiming and adjustment

Advanced Detection Logic:

Minimizes false triggers

Photoelectric Control:

Deactivates lights during daylight. Fully adjustable for 24 hour operation or custom applications.

Detection:

Senses 180° and 360° down for Total Detection

Technical Specifications (continued)

LED Characteristics

Scanning LEDs:

3 LEDs continually scan back-and-forth

Color Matched Lens:

Dark lens with bronze units, white lens with white units

Construction

Temperature Compensation:

Sensitivity adjusted automatically for consistent detection in hot and cold ambient temperatures

Mounting:

CU4 plate allows the sensor to be mounted under a soffit

Lens Masks:

Customized press apply lens mask included to reduce coverage easily

Other

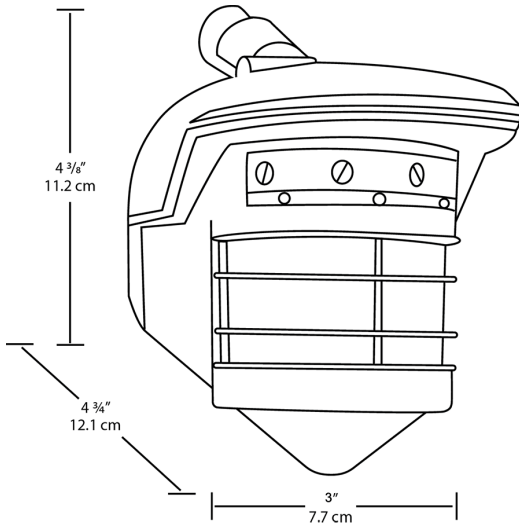
Warranty:

10 year sensor warranty

Buy American Act Compliance:

RAB values USA manufacturing! Upon request, RAB may be able to manufacture this product to be compliant with the Buy American Act (BAA). Please contact customer service to request a quote for the product to be made BAA compliant.

Dimensions



Features

- Senses 180° out + 360° down for total detection
- Radio frequency immunity
- 6000 volt surge protection
- Quick test time
- Color matched vandal resistant
- 1000 Watt switching capacity
- Pre-wired and pre-assembled on CU4 universal EZ plate
- Protected manual override with auto reset
- Can be wired in parallel