

ScotchCode™ Write-On Wire Marker Dispensers and Marking Pens

Application:

Fast, convenient write-on wire marker for marking wire and cable (with a O.D. of 0.9 to 1.32 inches), while providing a self-laminating protective shield over the legend.

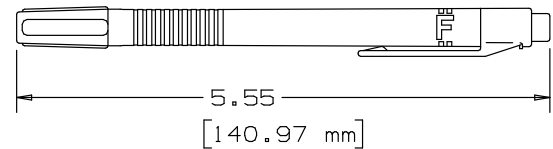
Tape Technical Data:

(All Values are Typical Values)

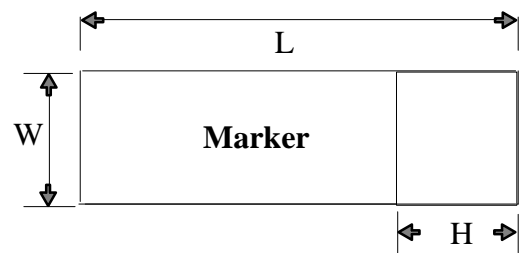
Material	Transparent vinyl film with acrylic pressure sensitive adhesive
Application Temperature Range	50°F to 120°F (10°C to 49°C)
Operating Temperature Range	-40°F to 176°F (-40°C to 80°C)
Storage Temperature	70°F (21°C)
Tape Thickness	3.5 mils (0,10mm)
Adhesion to Steel (ASTM D-1000)	35 oz./inch width (383 Newtons/meters)
Adhesion to Backing (at 23°C)	40 oz./inch width (438 Newton/meters)
Tensile Strength	11 lbs./inch width

Engineering Specification:

A vinyl film with acrylic pressure-sensitive adhesive that provides a self-laminating, protective shield over the legend. Each roll of marking tape shall be placed in a reenterable dispenser for use with a permanent marking pen. Markers shall be manufactured by 3M.

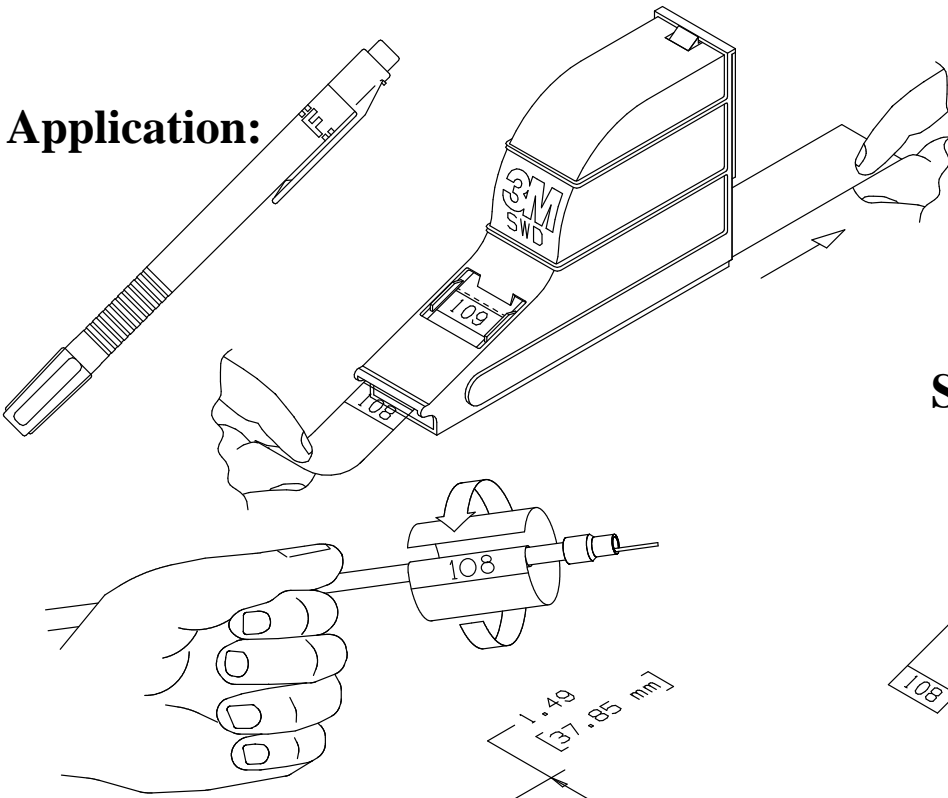


Replacement Pens	
Product No.	Description
SMP	Black, Pen
SMP-R	Red, Pen

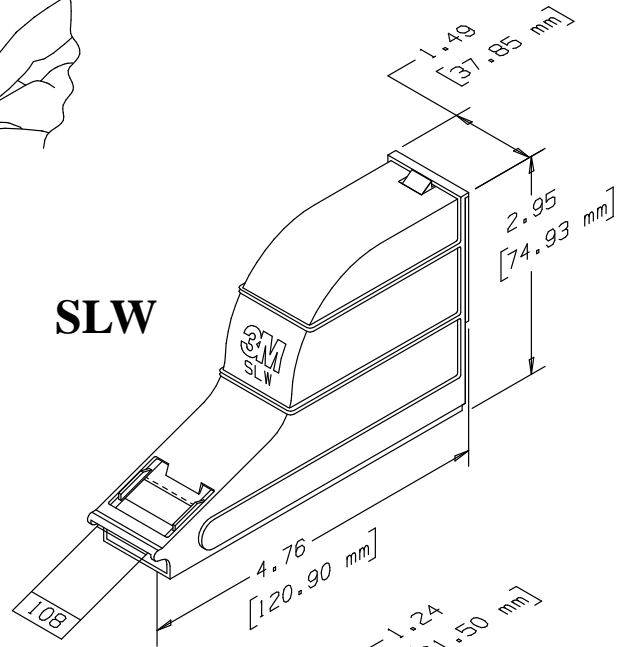


Product	No. of Labels per Roll	Write-on Area W x L inches (mm)	Marker Size W x L inches (mm)	Recommended Wire O.D. inches (mm)	Recommended Wire Size AWG (mm ²)
SWD	250	0.75 x 0.312 (19,0 x 7,9)	0.75 x 1.375 (19,0 x 34,9)	0.09 to 0.31 (2,3 to 7,9)	12 to 2 (4 to 35)
SLW	70	1.0 x 0.75 (25,4 x 19,0)	1.0 x 5.0 (25,4 x 127,0)	0.23 to 1.32 (5,8 to 33,5)	4 to 1000 (22 to 500)
SLS	170	1.0 x 0.5 (25,4 x 12,7)	1.0 x 2.125 (25,4 x 54,0)	0.15 to 0.49 (3,8 to 12,4)	6 to 3/0 (8 to 95)

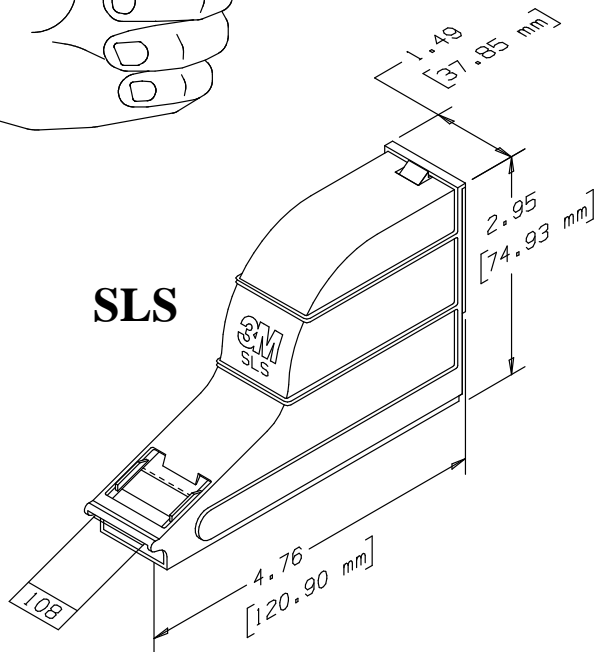
Application:



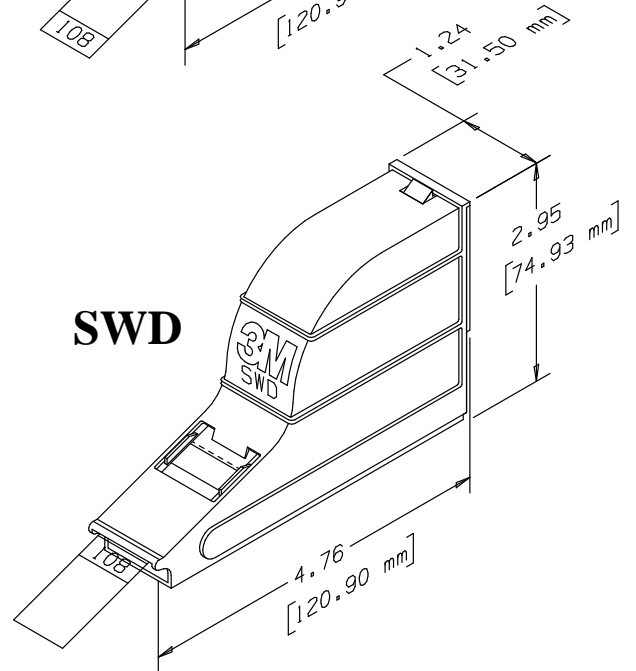
SLW



SLS



SWD



IMPORTANT NOTICE:

All statements, technical information and recommendations related to the Seller's products are based on information believed to be reliable, but the accuracy or completeness thereof is not guaranteed. Before utilizing the product, the user should determine the suitability of the product for its intended use. The user assumes all risks and liability whatsoever in connection with such use.

All statements or recommendations of the seller which are not contained in the Seller's current publications shall have no force or effect unless contained in an agreement signed by an authorized officer of the Seller. The statements contained herein are made in lieu of all warranties express or implied, including but not limited to the implied warranties of merchantability and fitness for a particular purpose which warranties are hereby expressly disclaimed.

SELLER SHALL NOT BE LIABLE TO THE USER OR ANY OTHER PERSON UNDER ANY LEGAL THEORY, INCLUDING BUT NOT LIMITED TO NEGLIGENCE OR STRICT LIABILITY, FOR ANY INJURY OR FOR ANY DIRECT OR CONSEQUENTIAL DAMAGES SUSTAINED OR INCURRED BY REASON OF THE USE OF ANY OF THE SELLER'S PRODUCTS.

©3M 1991

3 / 8 / 91

3M Electrical Products Division

P O Box 2963

Austin, Texas 78769-2963

Technical Service 512/984-5555

3M

ScotchCode™ Write-On Wire Marker Dispensers and Marking Pens

Application:

Fast, convenient write-on wire marker for marking wire and cable (with a O.D. of 0.9 to 1.32 inches), while providing a self-laminating protective shield over the legend.

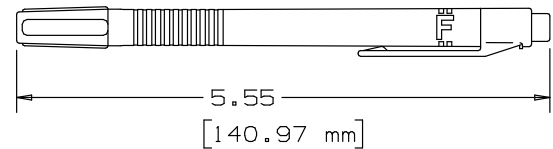
Tape Technical Data:

(All Values are Typical Values)

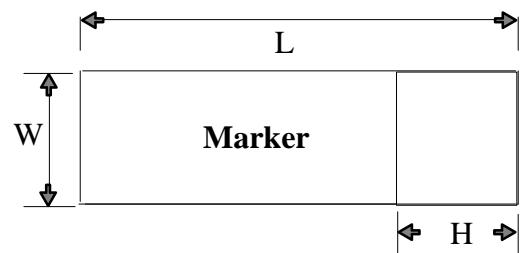
Material	Transparent vinyl film with acrylic pressure sensitive adhesive
Application Temperature Range	50°F to 120°F (10°C to 49°C)
Operating Temperature Range	-40°F to 176°F (-40°C to 80°C)
Storage Temperature	70°F (21°C)
Tape Thickness	3.5 mils (0,10mm)
Adhesion to Steel (ASTM D-1000)	35 oz./inch width (383 Newtons/meters)
Adhesion to Backing (at 23°C)	40 oz./inch width (438 Newton/meters)
Tensile Strength	11 lbs./inch width

Engineering Specification:

A vinyl film with acrylic pressure-sensitive adhesive that provides a self-laminating, protective shield over the legend. Each roll of marking tape shall be placed in a reenterable dispenser for use with a permanent marking pen. Markers shall be manufactured by 3M.

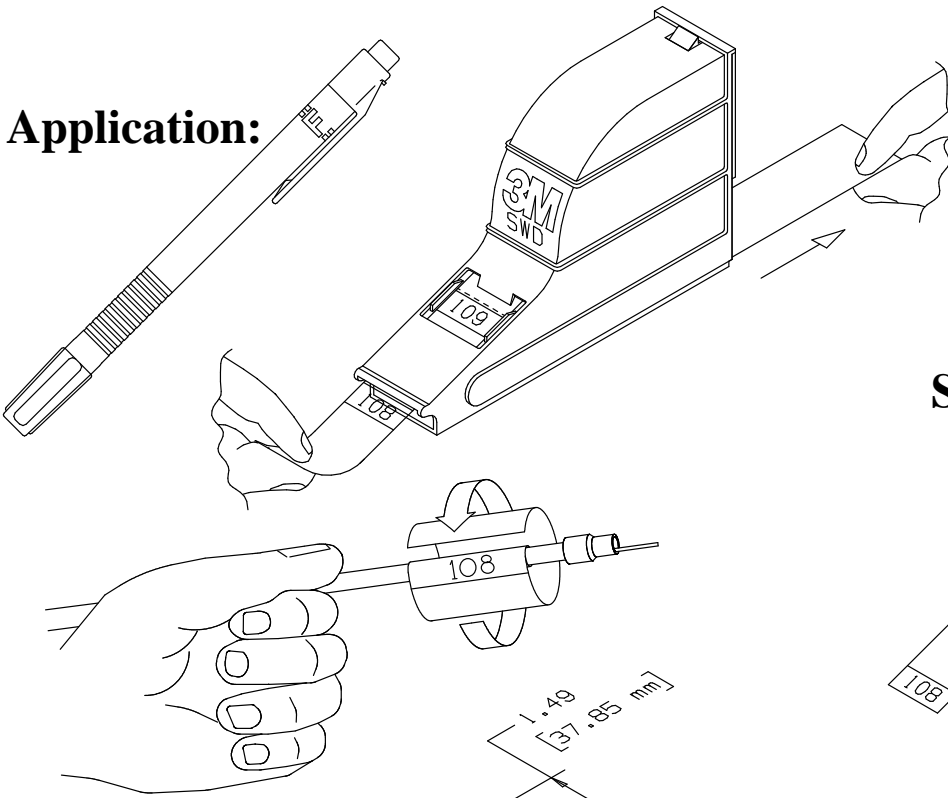


Replacement Pens	
Product No.	Description
SMP	Black, Pen
SMP-R	Red, Pen

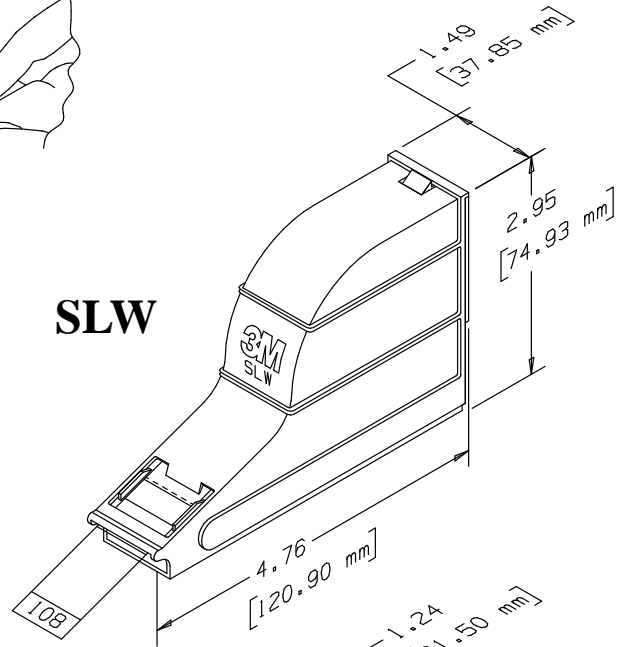


Product	No. of Labels per Roll	Write-on Area W x L inches (mm)	Marker Size W x L inches (mm)	Recommended Wire O.D. inches (mm)	Recommended Wire Size AWG (mm ²)
SWD	250	0.75 x 0.312 (19,0 x 7,9)	0.75 x 1.375 (19,0 x 34,9)	0.09 to 0.31 (2,3 to 7,9)	12 to 2 (4 to 35)
SLW	70	1.0 x 0.75 (25,4 x 19,0)	1.0 x 5.0 (25,4 x 127,0)	0.23 to 1.32 (5,8 to 33,5)	4 to 1000 (22 to 500)
SLS	170	1.0 x 0.5 (25,4 x 12,7)	1.0 x 2.125 (25,4 x 54,0)	0.15 to 0.49 (3,8 to 12,4)	6 to 3/0 (8 to 95)

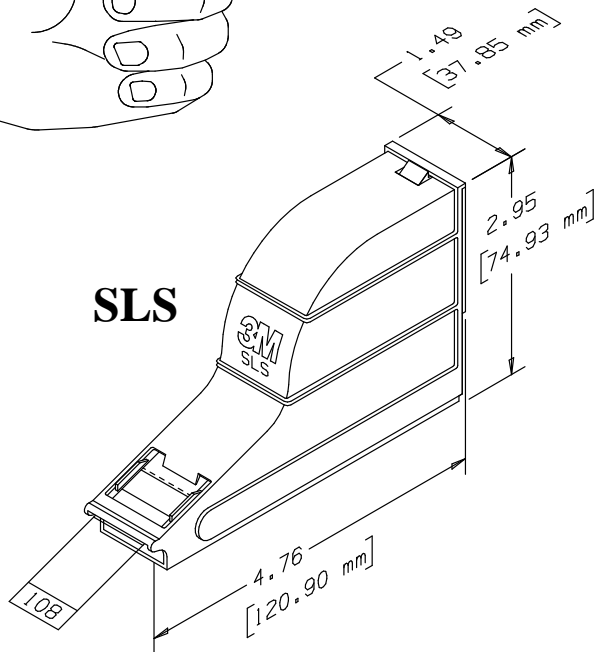
Application:



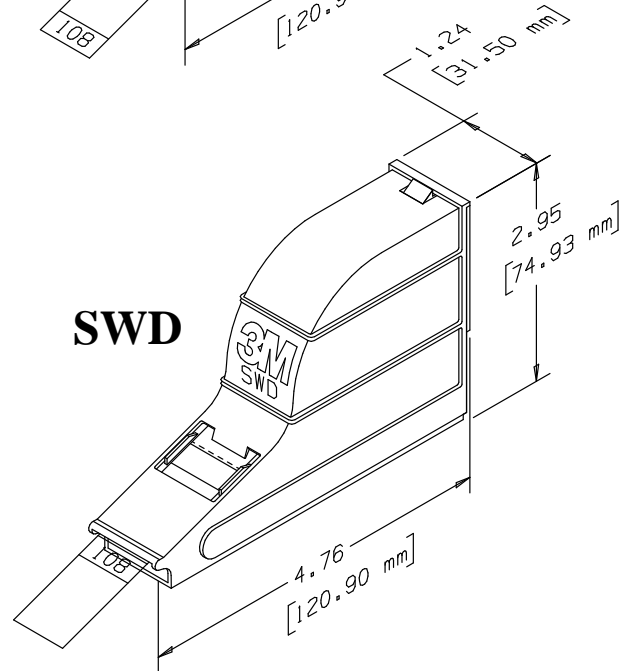
SLW



SLS



SWD



IMPORTANT NOTICE:

All statements, technical information and recommendations related to the Seller's products are based on information believed to be reliable, but the accuracy or completeness thereof is not guaranteed. Before utilizing the product, the user should determine the suitability of the product for its intended use. The user assumes all risks and liability whatsoever in connection with such use.

All statements or recommendations of the seller which are not contained in the Seller's current publications shall have no force or effect unless contained in an agreement signed by an authorized officer of the Seller. The statements contained herein are made in lieu of all warranties express or implied, including but not limited to the implied warranties of merchantability and fitness for a particular purpose which warranties are hereby expressly disclaimed.

SELLER SHALL NOT BE LIABLE TO THE USER OR ANY OTHER PERSON UNDER ANY LEGAL THEORY, INCLUDING BUT NOT LIMITED TO NEGLIGENCE OR STRICT LIABILITY, FOR ANY INJURY OR FOR ANY DIRECT OR CONSEQUENTIAL DAMAGES SUSTAINED OR INCURRED BY REASON OF THE USE OF ANY OF THE SELLER'S PRODUCTS.

©3M 1991

3 / 8 / 91

3M Electrical Products Division

P O Box 2963

Austin, Texas 78769-2963

Technical Service 512/984-5555

3M