

High efficiency LED High Bays. Use anywhere you need exceptional light distribution for mounting heights up to 40 feet.

Limitless options for the following applications:

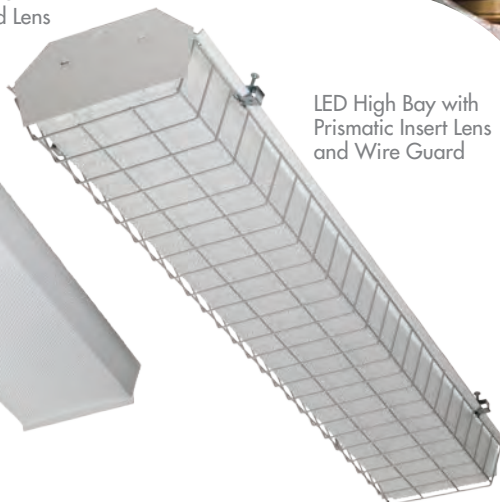
- Warehouses
- Commercial Facilities
- Manufacturing Facilities
- Aisles (Open and Stack)

Great features and benefits:

- Energy-efficient drivers
- Instant on
- Long life: 50,000 hours
- Replaces traditional metal halide and linear fluorescent high bay systems
- Excellent color rendering
- Heavy duty 20 gauge housing is code grade steel



LED High Bay with Prismatic Wraparound Lens



LED High Bay with Prismatic Insert Lens and Wire Guard



LED
we know light.™

LED 50,000 Hours average rated life, 120-277 Volts

Applications:

Ideal for mounting heights from 20 feet to 40 feet.

- + Warehouses
- + Commercial Facilities
- + Manufacturing Facilities
- + Aisles (Open and Stack)

Features

Up to 56% less energy than HID alternatives

Long life

Very low heat generation

Excellent Color Consistency and CRI

UL approved for damp location

Benefits

Instant energy savings.

Minimizes replacement and maintenance costs.

Less energy wasted as heat.

Enhances colors of focal point while maintaining uniformity throughout lighting installation.

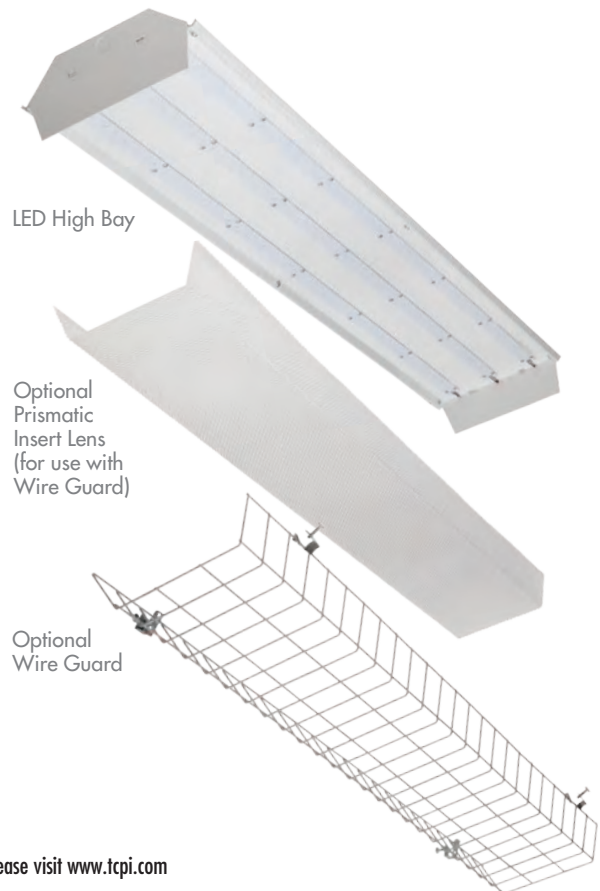
Can be used outdoors when protected from elements. Withstands humidity indoors/outdoors.

Replacement Comparison

| TYPE | WATTS | ENERGY SAVINGS (%) |
|-------------------|-------|--------------------|
| TCP LED High Bay | 130W | |
| 250W Metal Halide | 295W | 56% |
| 6 Lamp T8 HBF | 220W | 41% |
| 4 Lamp T5HO | 249W | 48% |

Specifications

| | |
|------------------------|---------------|
| Input Line Voltage: | 120 - 277 VAC |
| Input Power | 129.5W |
| Input Line Frequency | 50/60HZ |
| Lamp Life (Rated) | 50,000 hrs |
| Minimum Starting Temp | -30°C |
| Maximum Operating Temp | 50°C |
| CRI | 82 |



5 YEAR WARRANTY

For the most up-to-date specs and warranty information, please visit www.tcpi.com



LED High Bay

Catalog Number

Notes

Type



LED High Bay with Wire Guard

LED High Bay

Installation

Suspension by chain, cable, hook or monopoint with appropriate accessories.

Warranty

Five year warranty against defects in manufacturing.

Listing

UL/cUL Listed - Suitable for damp locations.

Application

The LED High Bay's superior lumen package is ideal for replacing traditional metal halide and linear fluorescent high bay systems. Benefits include high efficiency, excellent color rendering, long life, instant on, and improved uniformity. Suggested mounting heights from 20'–40' with primary applications including warehousing, commercial facilities, manufacturing facilities, open and stack aisle applications.

Description

The full body assembly features TCP high efficiency drivers and high output LEDs. The LED High Bay's heavy duty 20 gauge housing and 8 gauge wireguard is code gauge steel and all components, excluding the wireguard, are post painted with a glossy, high reflectance white paint.

Electrical

All drivers are class 2 rated and UL/cUL listed. Our drivers are tightly secured by mounting bolts.

Finish

The baked white enamel finish is electrostatically applied and post painted with a glossy, highly reflective and durable white paint.

Catalog Ordering Matrix

| Brand | Family | Voltage and Controls | Lumen Package | Color Temperature | Options |
|-------|-----------------------|----------------------|--------------------|----------------------------|-------------|
| TCP | HB4 - 4' LED High Bay | UNI - 120V-277V | 12 - 12,000 Lumens | 41K - 4100K 50K - 5000K | (See Below) |

OPTIONS (Add to catalog number in order shown)

1 Power Cords

- 6C - 6' PCord 300V 16/3 SJT00W NO PLUG
- 6C4 - 6' PCord 300V 18/4 SJTOW NO PLUG
- 6W - 6' WHIP PCord 600V 16/3 NO PLUG
- 2P - 8' PCord 125V 15A 16/3 SJT00W NEMA 5-15P
- 3P - 8' PCord 125V 15A 16/3 SJTOW NEMA L5-15P
- 8T - 8' PCord 480V 20A 16/3 SEOW NEMA L8-20P
- 9T - 8' PCord 250V 20A 16/3 SJTOW NEMA L6-20P
- 4T - 10' PCord 125V 20A 16/3 SJTOW NEMA L5-20P
- 10T - 10' PCord 277V 15A 14/3 SJTOW NEMA L7-15P
- 10T2 - 10' PCord 277V 20A 14/3 SJTOW NEMA L7-20P
- 10C - 10' PCord 277V SJT00W NO PLUG
- 10C6 - 10' PCord 600V 15A 16/3 STOW NO PLUG
- 20C - 20' PCord 277V 20A 16/3 SJT00W NO PLUG
- 20C4 - 20' PCord 300V 18/4 SJTOW NO PLUG

2 Occupancy Sensors

- TS1 - TCP Occupancy Sensor w/bracket and interchangeable lenses, 40' or less, 120V, 277V, or 347V.
- TS1C - TCP Cold Storage Occupancy Sensor w/bracket and interchangeable lenses, 40' or less, 120V, 277V, or 347V.
- TS4 - TCP Occupancy Sensor w/bracket and interchangeable lenses, 40' or less, 480V.
- TS4C - TCP Cold Storage Occupancy Sensor w/bracket and interchangeable lenses, 40' or less, 480V.

3 Wire Guard / Lens

- WG - Wire Guard
- PIL - Prismatic Insert Lens, to be used with Wire Guard
- PWL - Prismatic Wrap Lens, not to be used with Wire Guard

4 Special Mounting

- HCB - Hub Connector Box - 3/4" Threaded Hub Mount

5 Special Packaging

- SP - Single Packed

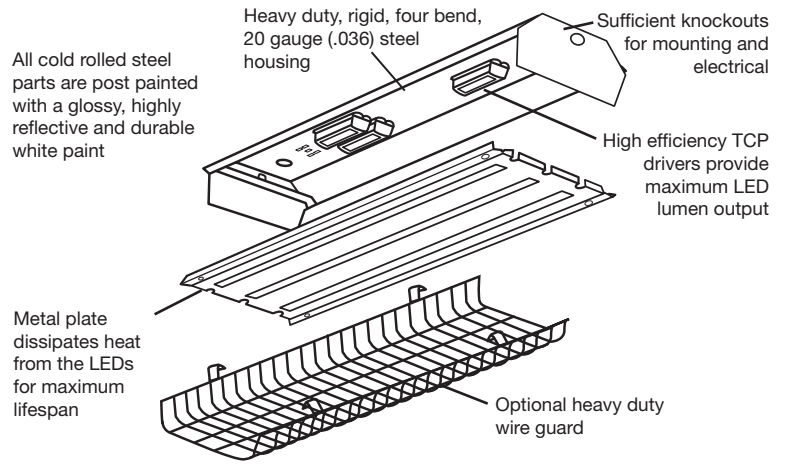
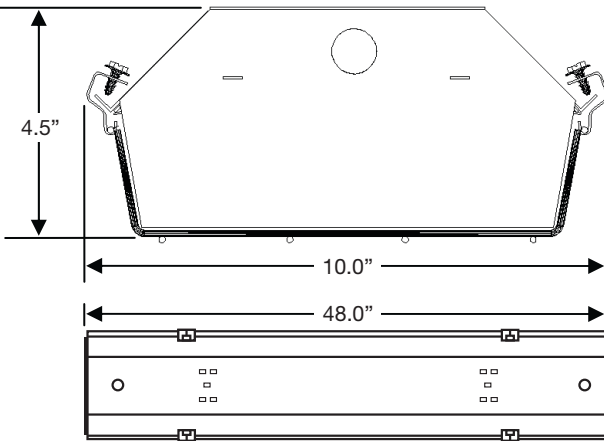
AVAILABLE HANGING KITS (ordered separately)

- EZHANGER - 15' adjustable aircraft cable hanging kit



LED High Bay

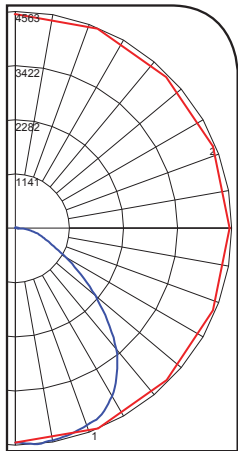
Dimensions & Construction



Photometric Report

TCP LED High Bay with Prismatic Wraparound Lens

LED High Bay Luminaire with lumen rating of 12000 lumens and three high efficiency drivers operating at 120-277 VAC and 129.6 watts.



Photometric Report

Efficiency (total) N.A.
 Spacing Criterion (0-180) 1.16
 Spacing Criterion (90-270) 1.34

Maximum Candela = 4563.15
 Located At Horizontal Angle = 292.5,
 Vertical Angle = 7
 # 1 - Vertical Plane Through
 Horizontal Angles (292.5 - 112.5)
 (Through Max. Cd.)
 # 2 - Horizontal Cone Through
 Vertical Angle (7) (Through Max. Cd.)

Average Luminance (Candelas / Square Meter)

| Angle In Degrees | Average 0-Deg | Average 45-Deg | Average 90-Deg |
|------------------|---------------|----------------|----------------|
| 45 | 10168 | 9832 | 11289 |
| 55 | 8882 | 8639 | 8686 |
| 65 | 8493 | 7322 | 5896 |
| 75 | 8564 | 8173 | 5416 |
| 85 | 4690 | 5933 | 5973 |

Zonal Lumen Summary

| Zone | Lumens | % Lamp | % Fixture |
|--------|----------|--------|-----------|
| 0-30 | 3488.83 | N.A. | 29.40 |
| 0-40 | 5640.92 | N.A. | 47.50 |
| 0-60 | 9302.33 | N.A. | 78.40 |
| 0-90 | 11385.23 | N.A. | 96.00 |
| 90-120 | 365.12 | N.A. | 3.10 |
| 90-130 | 419.07 | N.A. | 3.50 |
| 90-150 | 468.40 | N.A. | 3.90 |
| 90-180 | 479.22 | N.A. | 4.00 |
| 0-180 | 11864.45 | N.A. | 100.00 |

Total Luminaire Efficiency = N.A.%

Coefficient of Utilization Table

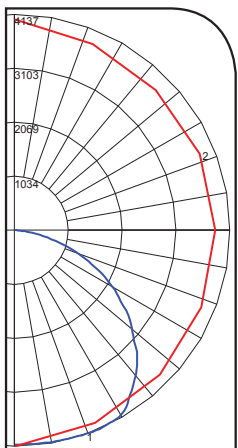
Effective Floor Cavity Reflectance = 20%

| RC RW | 80 | | | | 70 | | | | 50 | | | | 30 | | | | 10 | | | | | |
|-------|-----|-----|-----|-----|-----|-----|-----|-----|-----|-----|-----|-----|-----|-----|----|----|----|----|----|----|---|---|
| | 70 | 50 | 30 | 10 | 70 | 50 | 30 | 10 | 50 | 30 | 10 | 50 | 30 | 10 | 50 | 30 | 10 | 50 | 30 | 10 | 0 | 0 |
| 0 | 118 | 118 | 118 | 118 | 115 | 115 | 115 | 115 | 109 | 109 | 109 | 103 | 103 | 103 | 98 | 98 | 98 | 96 | 96 | 96 | 0 | 0 |
| 1 | 108 | 104 | 99 | 96 | 105 | 101 | 97 | 94 | 96 | 93 | 90 | 91 | 89 | 87 | 87 | 85 | 83 | 81 | 81 | 81 | 0 | 0 |
| 2 | 99 | 91 | 84 | 79 | 96 | 89 | 83 | 78 | 85 | 80 | 75 | 81 | 77 | 73 | 77 | 74 | 71 | 68 | 68 | 68 | 0 | 0 |
| 3 | 90 | 80 | 73 | 66 | 88 | 78 | 71 | 65 | 75 | 69 | 64 | 72 | 67 | 62 | 69 | 64 | 61 | 58 | 58 | 58 | 0 | 0 |
| 4 | 83 | 72 | 63 | 57 | 81 | 70 | 62 | 56 | 67 | 60 | 55 | 64 | 58 | 54 | 62 | 57 | 53 | 50 | 50 | 50 | 0 | 0 |
| 5 | 77 | 64 | 56 | 49 | 74 | 63 | 55 | 49 | 60 | 53 | 48 | 58 | 52 | 47 | 56 | 50 | 46 | 44 | 44 | 44 | 0 | 0 |
| 6 | 71 | 58 | 49 | 43 | 69 | 57 | 49 | 43 | 55 | 48 | 42 | 53 | 46 | 42 | 51 | 45 | 41 | 39 | 39 | 39 | 0 | 0 |
| 7 | 66 | 53 | 44 | 38 | 64 | 52 | 44 | 38 | 50 | 43 | 38 | 48 | 42 | 37 | 47 | 41 | 36 | 34 | 34 | 34 | 0 | 0 |
| 8 | 61 | 48 | 40 | 34 | 60 | 47 | 40 | 34 | 46 | 39 | 34 | 44 | 38 | 33 | 43 | 37 | 33 | 31 | 31 | 31 | 0 | 0 |
| 9 | 57 | 44 | 36 | 31 | 56 | 44 | 36 | 31 | 42 | 35 | 30 | 41 | 35 | 30 | 40 | 34 | 30 | 28 | 28 | 28 | 0 | 0 |
| 10 | 54 | 41 | 33 | 28 | 52 | 40 | 33 | 28 | 39 | 32 | 28 | 38 | 32 | 27 | 37 | 31 | 27 | 25 | 25 | 25 | 0 | 0 |

Photometric Report

TCP LED High Bay

LED High Bay Luminaire with lumen rating of 12000 lumens and three high efficiency drivers operating at 120-277 VAC and 129.5 watts.



Photometric Report

Efficiency (total) N.A.
 Spacing Criterion (0-180) 1.30
 Spacing Criterion (90-270) 1.40

Maximum Candela = 4137.26
 Located At Horizontal Angle = 270,
 Vertical Angle = 21
 # 1 - Vertical Plane Through
 Horizontal Angles (270 - 90)
 (Through Max. Cd.)
 # 2 - Horizontal Cone Through
 Vertical Angle (21) (Through Max. Cd.)

Average Luminance (Candelas / Square Meter)

| Angle In Degrees | Average 0-Deg | Average 45-Deg | Average 90-Deg |
|------------------|---------------|----------------|----------------|
| 45 | 10958 | 11547 | 12656 |
| 55 | 10780 | 11473 | 12208 |
| 65 | 10204 | 11062 | 11268 |
| 75 | 8743 | 9601 | 8934 |
| 85 | 75 | 603 | 3527 |

Zonal Lumen Summary

| Zone | Lumens | % Lamp | % Fixture |
|--------|----------|--------|-----------|
| 0-30 | 3301.98 | N.A. | 25.80 |
| 0-40 | 5524.45 | N.A. | 43.20 |
| 0-60 | 10110.37 | N.A. | 79.10 |
| 0-90 | 12739.09 | N.A. | 99.70 |
| 90-120 | 19.84 | N.A. | 0.20 |
| 90-130 | 24.07 | N.A. | 0.20 |
| 90-150 | 31.46 | N.A. | 0.20 |
| 90-180 | 35.88 | N.A. | 0.30 |
| 0-180 | 12774.97 | N.A. | 100.00 |

Total Luminaire Efficiency = N.A.%

Coefficient of Utilization Table

Effective Floor Cavity Reflectance = 20%

| RC RW | 80 | | | | 70 | | | | 50 | | | | 30 | | | | 10 | | | | | |
|-------|-----|-----|-----|-----|-----|-----|-----|-----|-----|-----|-----|-----|-----|-----|-----|-----|-----|-----|-----|-----|---|---|
| | 70 | 50 | 30 | 10 | 70 | 50 | 30 | 10 | 50 | 30 | 10 | 50 | 30 | 10 | 50 | 30 | 10 | 50 | 30 | 10 | 0 | 0 |
| 0 | 119 | 119 | 119 | 119 | 116 | 116 | 116 | 116 | 111 | 111 | 111 | 106 | 106 | 106 | 102 | 102 | 102 | 100 | 100 | 100 | 0 | 0 |
| 1 | 109 | 104 | 100 | 96 | 106 | 102 | 98 | 95 | 98 | 95 | 92 | 94 | 91 | 89 | 90 | 88 | 86 | 84 | 84 | 84 | 0 | 0 |
| 2 | 99 | 91 | 84 | 78 | 96 | 89 | 83 | 77 | 85 | 80 | 75 | 82 | 77 | 74 | 79 | 75 | 72 | 70 | 70 | 70 | 0 | 0 |
| 3 | 90 | 79 | 71 | 65 | 87 | 78 | 70 | 64 | 75 | 68 | 63 | 72 | 66 | 62 | 69 | 65 | 61 | 58 | 58 | 58 | 0 | 0 |
| 4 | 82 | 70 | 61 | 54 | 80 | 69 | 60 | 54 | 66 | 59 | 53 | 64 | 58 | 52 | 62 | 56 | 52 | 50 | 50 | 50 | 0 | 0 |
| 5 | 75 | 62 | 53 | 47 | 73 | 61 | 53 | 46 | 59 | 52 | 46 | 57 | 50 | 45 | 55 | 49 | 45 | 43 | 43 | 43 | 0 | 0 |
| 6 | 69 | 56 | 47 | 40 | 68 | 55 | 46 | 40 | 53 | 46 | 40 | 51 | 45 | 39 | 50 | 44 | 39 | 37 | 37 | 37 | 0 | 0 |
| 7 | 64 | 51 | 42 | 36 | 63 | 50 | 41 | 35 | 48 | 41 | 35 | 47 | 40 | 35 | 45 | 39 | 35 | 33 | 33 | 33 | 0 | 0 |
| 8 | 60 | 46 | 37 | 32 | 58 | 45 | 37 | 31 | 44 | 37 | 31 | 43 | 36 | 31 | 42 | 35 | 31 | 29 | 29 | 29 | 0 | 0 |
| 9 | 56 | 42 | 34 | 28 | 54 | 42 | 34 | 28 | 40 | 33 | 28 | 39 | 33 | 28 | 38 | 32 | 28 | 26 | 26 | 26 | 0 | 0 |
| 10 | 52 | 39 | 31 | 26 | 51 | 38 | 31 | 25 | 37 | 30 | 25 | 36 | 30 | 25 | 35 | 29 | 25 | 23 | 23 | 23 | 0 | 0 |



LED High Bay

High efficiency LED High Bays. Use anywhere you need exceptional light distribution for mounting heights up to 40 feet.

Limitless options for the following applications:

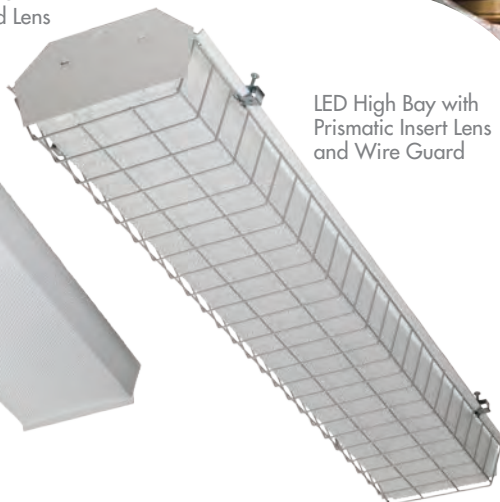
- Warehouses
- Commercial Facilities
- Manufacturing Facilities
- Aisles (Open and Stack)

Great features and benefits:

- Energy-efficient drivers
- Instant on
- Long life: 50,000 hours
- Replaces traditional metal halide and linear fluorescent high bay systems
- Excellent color rendering
- Heavy duty 20 gauge housing is code grade steel



LED High Bay with Prismatic Wraparound Lens



LED High Bay with Prismatic Insert Lens and Wire Guard



LED
we know light.™

LED 50,000 Hours average rated life, 120-277 Volts

Applications:

Ideal for mounting heights from 20 feet to 40 feet.

- + Warehouses
- + Commercial Facilities
- + Manufacturing Facilities
- + Aisles (Open and Stack)

Features

Up to 56% less energy than HID alternatives

Long life

Very low heat generation

Excellent Color Consistency and CRI

UL approved for damp location

Benefits

Instant energy savings.

Minimizes replacement and maintenance costs.

Less energy wasted as heat.

Enhances colors of focal point while maintaining uniformity throughout lighting installation.

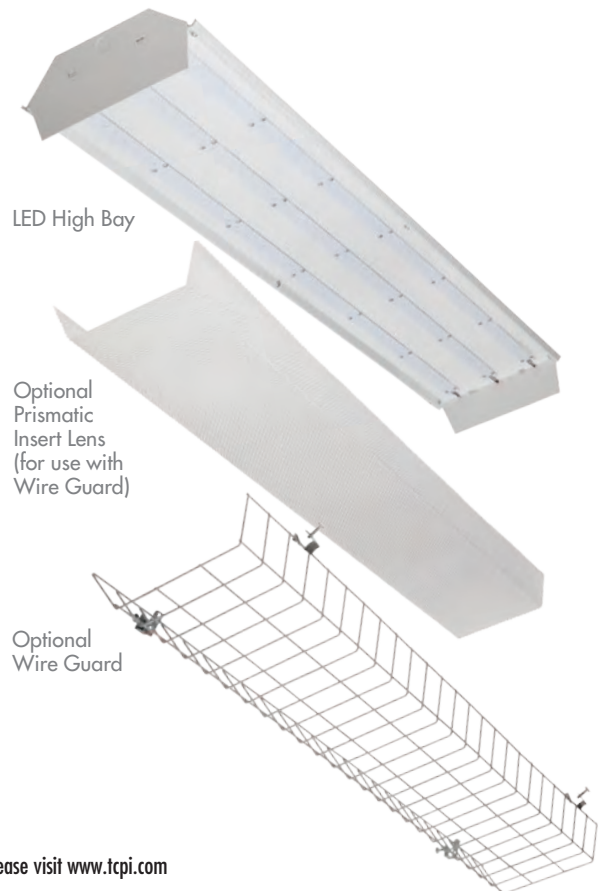
Can be used outdoors when protected from elements. Withstands humidity indoors/outdoors.

Replacement Comparison

| TYPE | WATTS | ENERGY SAVINGS (%) |
|-------------------|-------|--------------------|
| TCP LED High Bay | 130W | |
| 250W Metal Halide | 295W | 56% |
| 6 Lamp T8 HBF | 220W | 41% |
| 4 Lamp T5HO | 249W | 48% |

Specifications

| | |
|------------------------|---------------|
| Input Line Voltage: | 120 - 277 VAC |
| Input Power | 129.5W |
| Input Line Frequency | 50/60HZ |
| Lamp Life (Rated) | 50,000 hrs |
| Minimum Starting Temp | -30°C |
| Maximum Operating Temp | 50°C |
| CRI | 82 |



5 YEAR WARRANTY

For the most up-to-date specs and warranty information, please visit www.tcpi.com



LED High Bay

Catalog Number

Notes

Type



LED High Bay with Wire Guard

LED High Bay

Installation

Suspension by chain, cable, hook or monopoint with appropriate accessories.

Warranty

Five year warranty against defects in manufacturing.

Listing

UL/cUL Listed - Suitable for damp locations.

Application

The LED High Bay's superior lumen package is ideal for replacing traditional metal halide and linear fluorescent high bay systems. Benefits include high efficiency, excellent color rendering, long life, instant on, and improved uniformity. Suggested mounting heights from 20'–40' with primary applications including warehousing, commercial facilities, manufacturing facilities, open and stack aisle applications.

Description

The full body assembly features TCP high efficiency drivers and high output LEDs. The LED High Bay's heavy duty 20 gauge housing and 8 gauge wireguard is code gauge steel and all components, excluding the wireguard, are post painted with a glossy, high reflectance white paint.

Electrical

All drivers are class 2 rated and UL/cUL listed. Our drivers are tightly secured by mounting bolts.

Finish

The baked white enamel finish is electrostatically applied and post painted with a glossy, highly reflective and durable white paint.

Catalog Ordering Matrix

| Brand | Family | Voltage and Controls | Lumen Package | Color Temperature | Options |
|-------|-----------------------|----------------------|--------------------|----------------------------|-------------|
| TCP | HB4 - 4' LED High Bay | UNI - 120V-277V | 12 - 12,000 Lumens | 41K - 4100K 50K - 5000K | (See Below) |

OPTIONS (Add to catalog number in order shown)

1 Power Cords

- 6C - 6' PCord 300V 16/3 SJT00W NO PLUG
- 6C4 - 6' PCord 300V 18/4 SJTOW NO PLUG
- 6W - 6' WHIP PCord 600V 16/3 NO PLUG
- 2P - 8' PCord 125V 15A 16/3 SJT00W NEMA 5-15P
- 3P - 8' PCord 125V 15A 16/3 SJTOW NEMA L5-15P
- 8T - 8' PCord 480V 20A 16/3 SEOW NEMA L8-20P
- 9T - 8' PCord 250V 20A 16/3 SJTOW NEMA L6-20P
- 4T - 10' PCord 125V 20A 16/3 SJTOW NEMA L5-20P
- 10T - 10' PCord 277V 15A 14/3 SJTOW NEMA L7-15P
- 10T2 - 10' PCord 277V 20A 14/3 SJTOW NEMA L7-20P
- 10C - 10' PCord 277V SJT00W NO PLUG
- 10C6 - 10' PCord 600V 15A 16/3 STOW NO PLUG
- 20C - 20' PCord 277V 20A 16/3 SJT00W NO PLUG
- 20C4 - 20' PCord 300V 18/4 SJTOW NO PLUG

2 Occupancy Sensors

- TS1 - TCP Occupancy Sensor w/bracket and interchangeable lenses, 40' or less, 120V, 277V, or 347V.
- TS1C - TCP Cold Storage Occupancy Sensor w/bracket and interchangeable lenses, 40' or less, 120V, 277V, or 347V.
- TS4 - TCP Occupancy Sensor w/bracket and interchangeable lenses, 40' or less, 480V.
- TS4C - TCP Cold Storage Occupancy Sensor w/bracket and interchangeable lenses, 40' or less, 480V.

3 Wire Guard / Lens

- WG - Wire Guard
- PIL - Prismatic Insert Lens, to be used with Wire Guard
- PWL - Prismatic Wrap Lens, not to be used with Wire Guard

4 Special Mounting

- HCB - Hub Connector Box - 3/4" Threaded Hub Mount

5 Special Packaging

- SP - Single Packed

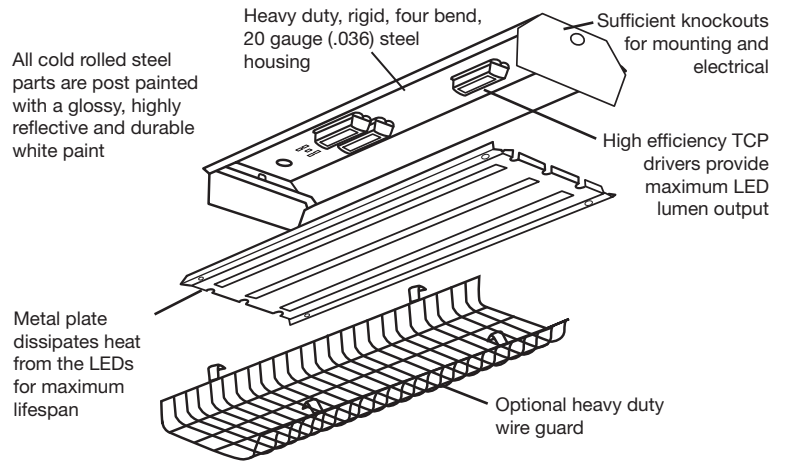
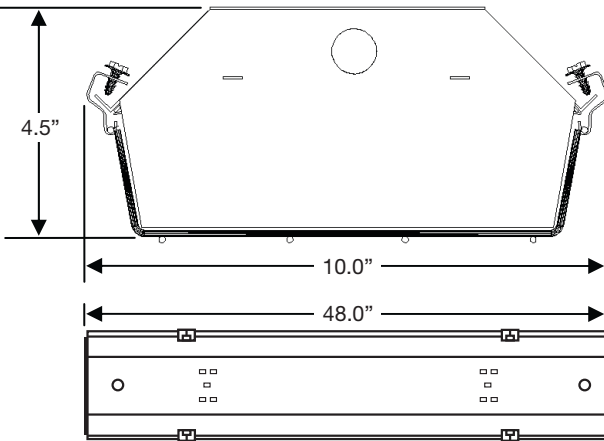
AVAILABLE HANGING KITS (ordered separately)

- EZHANGER - 15' adjustable aircraft cable hanging kit



LED High Bay

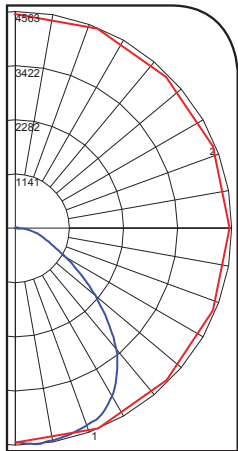
Dimensions & Construction



Photometric Report

TCP LED High Bay with Prismatic Wraparound Lens

LED High Bay Luminaire with lumen rating of 12000 lumens and three high efficiency drivers operating at 120-277 VAC and 129.6 watts.



Photometric Report

Efficiency (total) N.A.
 Spacing Criterion (0-180) 1.16
 Spacing Criterion (90-270) 1.34

Maximum Candela = 4563.15
 Located At Horizontal Angle = 292.5,
 Vertical Angle = 7
 # 1 - Vertical Plane Through
 Horizontal Angles (292.5 - 112.5)
 (Through Max. Cd.)
 # 2 - Horizontal Cone Through
 Vertical Angle (7) (Through Max. Cd.)

Average Luminance (Candelas / Square Meter)

| Angle In Degrees | Average 0-Deg | Average 45-Deg | Average 90-Deg |
|------------------|---------------|----------------|----------------|
| 45 | 10168 | 9832 | 11289 |
| 55 | 8882 | 8639 | 8686 |
| 65 | 8493 | 7322 | 5896 |
| 75 | 8564 | 8173 | 5416 |
| 85 | 4690 | 5933 | 5973 |

Zonal Lumen Summary

| Zone | Lumens | % Lamp | % Fixture |
|--------|----------|--------|-----------|
| 0-30 | 3488.83 | N.A. | 29.40 |
| 0-40 | 5640.92 | N.A. | 47.50 |
| 0-60 | 9302.33 | N.A. | 78.40 |
| 0-90 | 11385.23 | N.A. | 96.00 |
| 90-120 | 365.12 | N.A. | 3.10 |
| 90-130 | 419.07 | N.A. | 3.50 |
| 90-150 | 468.40 | N.A. | 3.90 |
| 90-180 | 479.22 | N.A. | 4.00 |
| 0-180 | 11864.45 | N.A. | 100.00 |

Total Luminaire Efficiency = N.A.%

Coefficient of Utilization Table

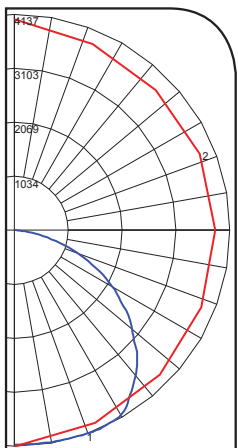
Effective Floor Cavity Reflectance = 20%

| RC RW | 80 | | | | 70 | | | | 50 | | | | 30 | | | | 10 | | | | | |
|-------|-----|-----|-----|-----|-----|-----|-----|-----|-----|-----|-----|-----|-----|-----|----|----|----|----|----|----|---|---|
| | 70 | 50 | 30 | 10 | 70 | 50 | 30 | 10 | 50 | 30 | 10 | 50 | 30 | 10 | 50 | 30 | 10 | 50 | 30 | 10 | 0 | 0 |
| 0 | 118 | 118 | 118 | 118 | 115 | 115 | 115 | 115 | 109 | 109 | 109 | 103 | 103 | 103 | 98 | 98 | 98 | 96 | 96 | 96 | 0 | 0 |
| 1 | 108 | 104 | 99 | 96 | 105 | 101 | 97 | 94 | 96 | 93 | 90 | 91 | 89 | 87 | 87 | 85 | 83 | 81 | 81 | 81 | 0 | 0 |
| 2 | 99 | 91 | 84 | 79 | 96 | 89 | 83 | 78 | 85 | 80 | 75 | 81 | 77 | 73 | 77 | 74 | 71 | 68 | 68 | 68 | 0 | 0 |
| 3 | 90 | 80 | 73 | 66 | 88 | 78 | 71 | 65 | 75 | 69 | 64 | 72 | 67 | 62 | 69 | 64 | 61 | 58 | 58 | 58 | 0 | 0 |
| 4 | 83 | 72 | 63 | 57 | 81 | 70 | 62 | 56 | 67 | 60 | 55 | 64 | 58 | 54 | 62 | 57 | 53 | 50 | 50 | 50 | 0 | 0 |
| 5 | 77 | 64 | 56 | 49 | 74 | 63 | 55 | 49 | 60 | 53 | 48 | 58 | 52 | 47 | 56 | 50 | 46 | 44 | 44 | 44 | 0 | 0 |
| 6 | 71 | 58 | 49 | 43 | 69 | 57 | 49 | 43 | 55 | 48 | 42 | 53 | 46 | 42 | 51 | 45 | 41 | 39 | 39 | 39 | 0 | 0 |
| 7 | 66 | 53 | 44 | 38 | 64 | 52 | 44 | 38 | 50 | 43 | 38 | 48 | 42 | 37 | 47 | 41 | 36 | 34 | 34 | 34 | 0 | 0 |
| 8 | 61 | 48 | 40 | 34 | 60 | 47 | 40 | 34 | 46 | 39 | 34 | 44 | 38 | 33 | 43 | 37 | 33 | 31 | 31 | 31 | 0 | 0 |
| 9 | 57 | 44 | 36 | 31 | 56 | 44 | 36 | 31 | 42 | 35 | 30 | 41 | 35 | 30 | 40 | 34 | 30 | 28 | 28 | 28 | 0 | 0 |
| 10 | 54 | 41 | 33 | 28 | 52 | 40 | 33 | 28 | 39 | 32 | 28 | 38 | 32 | 27 | 37 | 31 | 27 | 25 | 25 | 25 | 0 | 0 |

Photometric Report

TCP LED High Bay

LED High Bay Luminaire with lumen rating of 12000 lumens and three high efficiency drivers operating at 120-277 VAC and 129.5 watts.



Photometric Report

Efficiency (total) N.A.
 Spacing Criterion (0-180) 1.30
 Spacing Criterion (90-270) 1.40

Maximum Candela = 4137.26
 Located At Horizontal Angle = 270,
 Vertical Angle = 21
 # 1 - Vertical Plane Through
 Horizontal Angles (270 - 90)
 (Through Max. Cd.)
 # 2 - Horizontal Cone Through
 Vertical Angle (21) (Through Max. Cd.)

Average Luminance (Candelas / Square Meter)

| Angle In Degrees | Average 0-Deg | Average 45-Deg | Average 90-Deg |
|------------------|---------------|----------------|----------------|
| 45 | 10958 | 11547 | 12656 |
| 55 | 10780 | 11473 | 12208 |
| 65 | 10204 | 11062 | 11268 |
| 75 | 8743 | 9601 | 8934 |
| 85 | 75 | 603 | 3527 |

Zonal Lumen Summary

| Zone | Lumens | % Lamp | % Fixture |
|--------|----------|--------|-----------|
| 0-30 | 3301.98 | N.A. | 25.80 |
| 0-40 | 5524.45 | N.A. | 43.20 |
| 0-60 | 10110.37 | N.A. | 79.10 |
| 0-90 | 12739.09 | N.A. | 99.70 |
| 90-120 | 19.84 | N.A. | 0.20 |
| 90-130 | 24.07 | N.A. | 0.20 |
| 90-150 | 31.46 | N.A. | 0.20 |
| 90-180 | 35.88 | N.A. | 0.30 |
| 0-180 | 12774.97 | N.A. | 100.00 |

Total Luminaire Efficiency = N.A.%

Coefficient of Utilization Table

Effective Floor Cavity Reflectance = 20%

| RC RW | 80 | | | | 70 | | | | 50 | | | | 30 | | | | 10 | | | | | |
|-------|-----|-----|-----|-----|-----|-----|-----|-----|-----|-----|-----|-----|-----|-----|-----|-----|-----|-----|-----|-----|---|---|
| | 70 | 50 | 30 | 10 | 70 | 50 | 30 | 10 | 50 | 30 | 10 | 50 | 30 | 10 | 50 | 30 | 10 | 50 | 30 | 10 | 0 | 0 |
| 0 | 119 | 119 | 119 | 119 | 116 | 116 | 116 | 116 | 111 | 111 | 111 | 106 | 106 | 106 | 102 | 102 | 102 | 100 | 100 | 100 | 0 | 0 |
| 1 | 109 | 104 | 100 | 96 | 106 | 102 | 98 | 95 | 98 | 95 | 92 | 94 | 91 | 89 | 90 | 88 | 86 | 84 | 84 | 84 | 0 | 0 |
| 2 | 99 | 91 | 84 | 78 | 96 | 89 | 83 | 77 | 85 | 80 | 75 | 82 | 77 | 74 | 79 | 75 | 72 | 70 | 70 | 70 | 0 | 0 |
| 3 | 90 | 79 | 71 | 65 | 87 | 78 | 70 | 64 | 75 | 68 | 63 | 72 | 66 | 62 | 69 | 65 | 61 | 58 | 58 | 58 | 0 | 0 |
| 4 | 82 | 70 | 61 | 54 | 80 | 69 | 60 | 54 | 66 | 59 | 53 | 64 | 58 | 52 | 62 | 56 | 52 | 50 | 50 | 50 | 0 | 0 |
| 5 | 75 | 62 | 53 | 47 | 73 | 61 | 53 | 46 | 59 | 52 | 46 | 57 | 50 | 45 | 55 | 49 | 45 | 43 | 43 | 43 | 0 | 0 |
| 6 | 69 | 56 | 47 | 40 | 68 | 55 | 46 | 40 | 53 | 46 | 40 | 51 | 45 | 39 | 50 | 44 | 39 | 37 | 37 | 37 | 0 | 0 |
| 7 | 64 | 51 | 42 | 36 | 63 | 50 | 41 | 35 | 48 | 41 | 35 | 47 | 40 | 35 | 45 | 39 | 35 | 33 | 33 | 33 | 0 | 0 |
| 8 | 60 | 46 | 37 | 32 | 58 | 45 | 37 | 31 | 44 | 37 | 31 | 43 | 36 | 31 | 42 | 35 | 31 | 29 | 29 | 29 | 0 | 0 |
| 9 | 56 | 42 | 34 | 28 | 54 | 42 | 34 | 28 | 40 | 33 | 28 | 39 | 33 | 28 | 38 | 32 | 28 | 26 | 26 | 26 | 0 | 0 |
| 10 | 52 | 39 | 31 | 26 | 51 | 38 | 31 | 25 | 37 | 30 | 25 | 36 | 30 | 25 | 35 | 29 | 25 | 23 | 23 | 23 | 0 | 0 |