

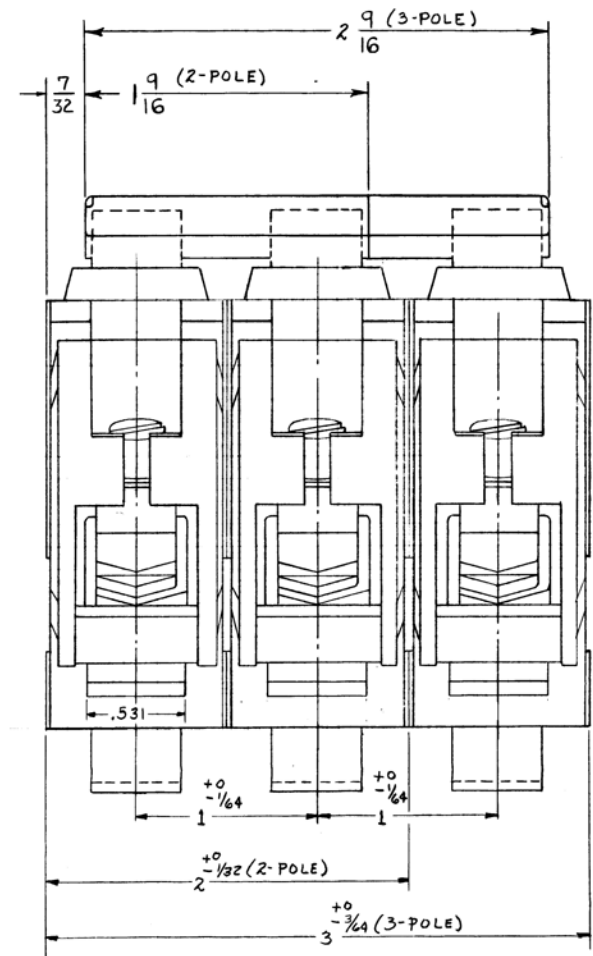
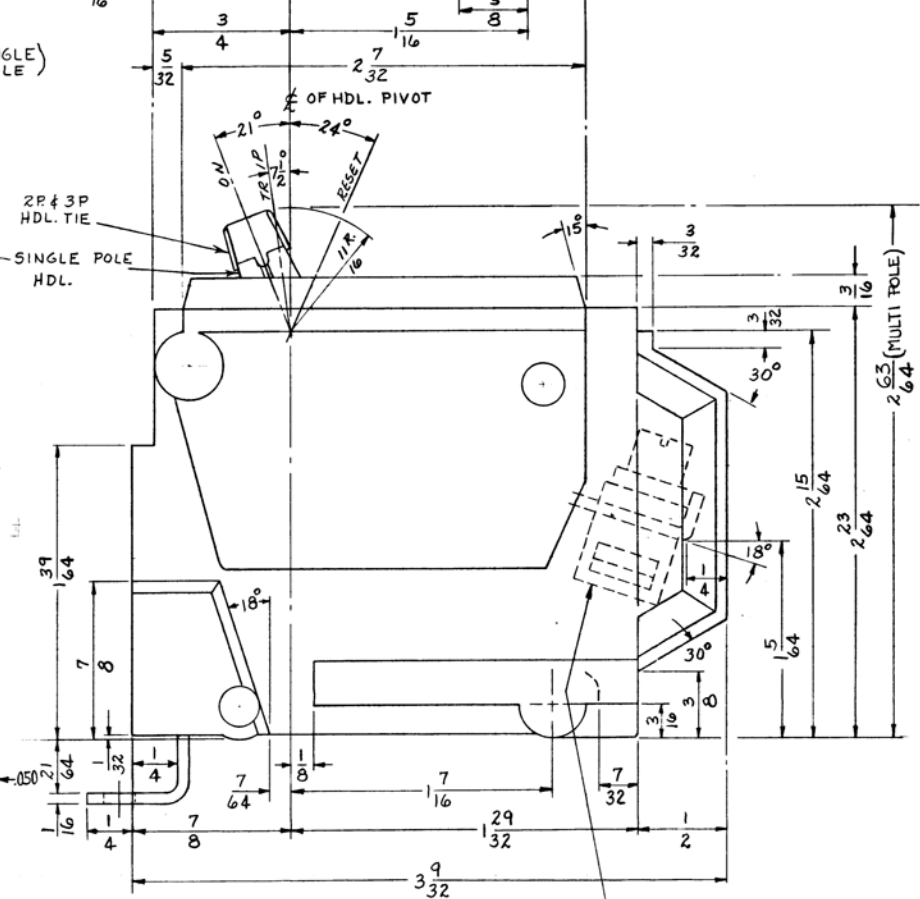
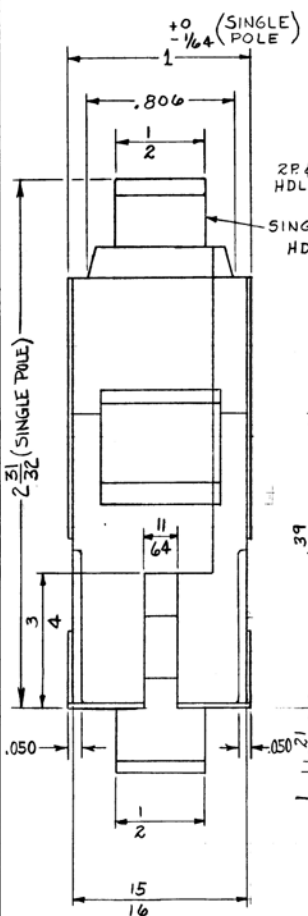
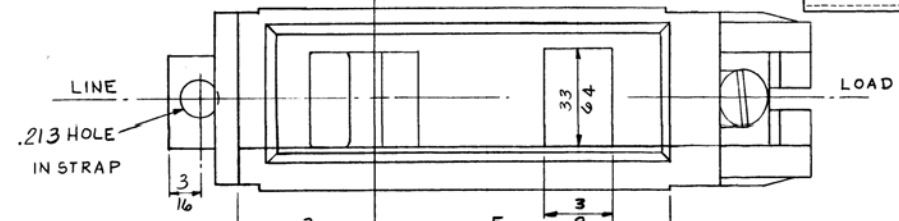
455C873

GENERAL ELECTRIC 455C873

UNLESS OTHERWISE SPECIFIED USE THE FOLLOWING—			
APPLIED PRACTICES	SURFACES	TOLERANCES ON MACHINED DIMENSIONS	
	✓	FRACTIONS	DECIMALS
		+ / - 1/64	+ / - .005
		ANGLES	
		+	

TITLE OUTLINE
TQB CIRCUIT BREAKER
 FIRST MADE FOR TQB1115
 CONT. ON SHEET 2 SH. NO. 1

A
B
C
D
E



LUG WIRE SIZE
 70A. TO 100A. #6 CU. #4 AL. TO 1/2 CU-AL.
 15A. TO 60A. #14 CU. #12 AL. TO #3 CU. #2 AL.

REV NO. 1

455C873
ON NO. 133ND NO. 1ND1

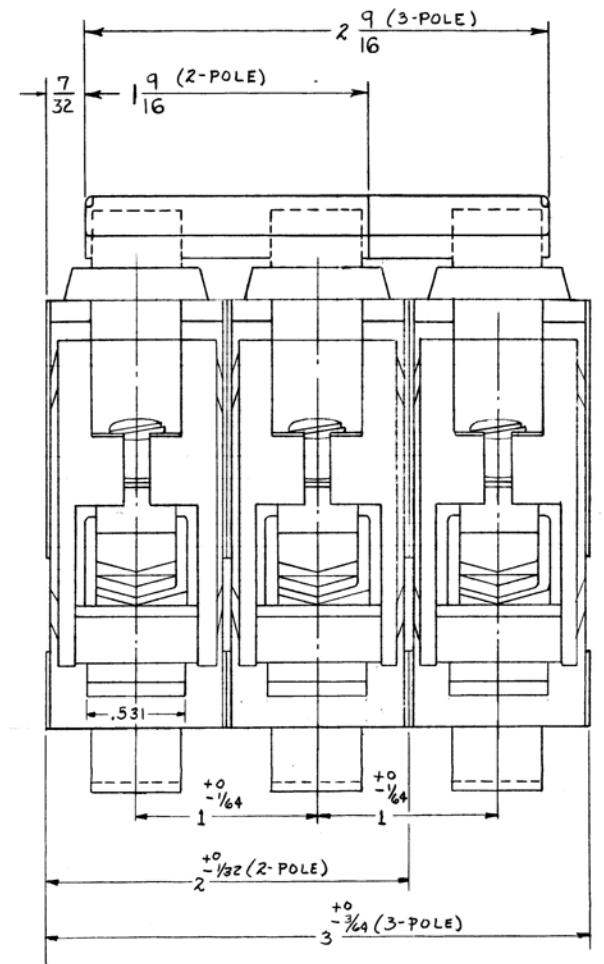
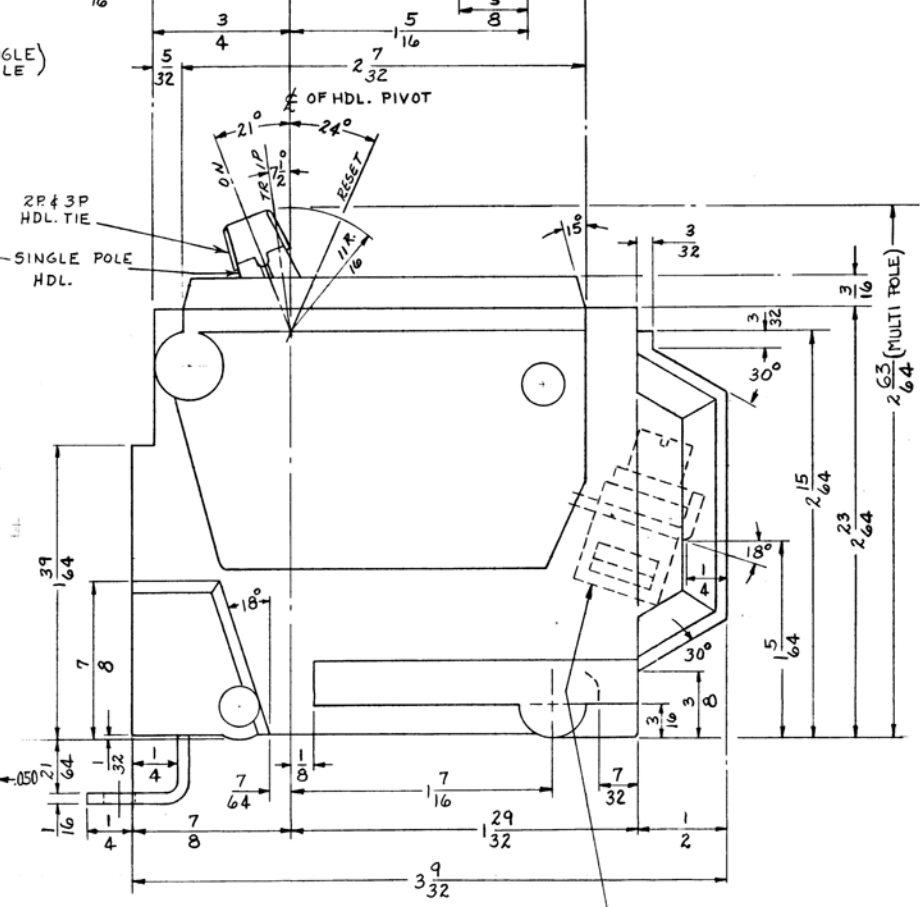
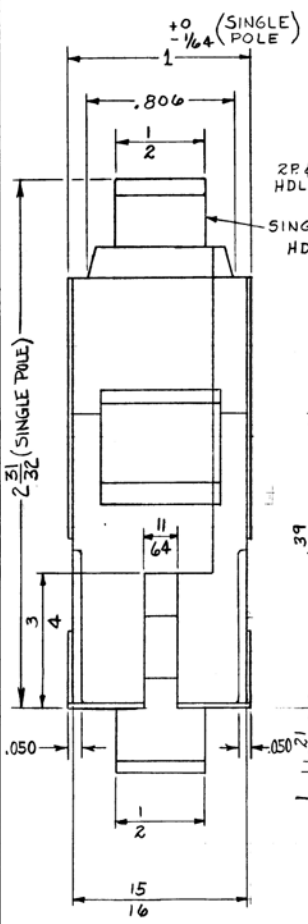
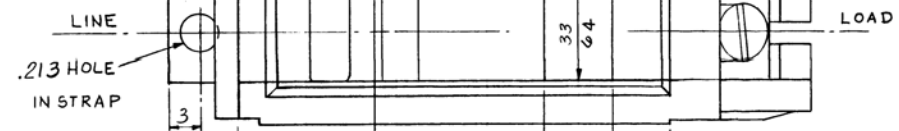
GENERAL ELECTRIC 455C873
CONT. ON SHEET 2 SH. NO. 1

UNLESS OTHERWISE SPECIFIED USE THE FOLLOWING—

APPLIED PRACTICES	SURFACES	TOLERANCES ON MACHINED DIMENSIONS		
		FRACTIONS	DECIMALS	ANGLES
	✓	+ 1/64	± .005	±

TITLE **OUTLINE**
TQB CIRCUIT BREAKER
FIRST MADE FOR TQB1115

A
B
C
D
E



LUG WIRE SIZE
 70A. TO 100A. # 6 CU. # 4 AL. TO 1/2 CU-AL.
 15A. TO 60A. # 14 CU. # 12 AL. TO # 3 CU. # 2 AL.

5

REV NO.
 1