

While-in-use Covers

FOR ONE & TWO GANG BOXES

POLYCARBONATE, "CONSTANT USE" DUPLEX/GFI COVER UL & CSA LISTED

Single gang covers have a patented design with movable hinges that reposition easily for vertical or horizontal mounting, with no tools required.

While-in-use Covers offer a rugged, versatile design that protects against various elements such as rain, snow and ice. They are available in gray and white; single gang, single gang deep and double gang to offer 98 different configurations. The single gang covers have a patented design with movable hinges that reposition easily for vertical or horizontal mounting, with no tools required. They are great for use with vending machines, holiday lighting, portable signs, outdoor lighting, outdoor hot tubs and more.

Features:

- Rugged, UV-resistant polycarbonate cover and back protects device inside from rain, sleet and snow without cracking or breaking and is non-corrosive and non-conductive
- Covers have a versatile product design with movable hinges that reposition for vertical/horizontal mounting, which reduces the number of SKUs
- Each cover includes a pre-mounted neoprene gasket on the back, ensuring the gasket cannot fall off or be improperly positioned during installation – assuring a weatherproof installation every time
- Available in one gang, self-closing cover, standard (3.25") and deep (4.75") depths
- Available in two gang, self-closing cover, standard (3.25") depth
- Meets and exceeds outdoor lighting requirements
- Lockable cover (with customer added locking device) adds security
- Available in both gray and white to meet customer preference
- Compatible with FS and FD boxes

Certifications and Compliances:

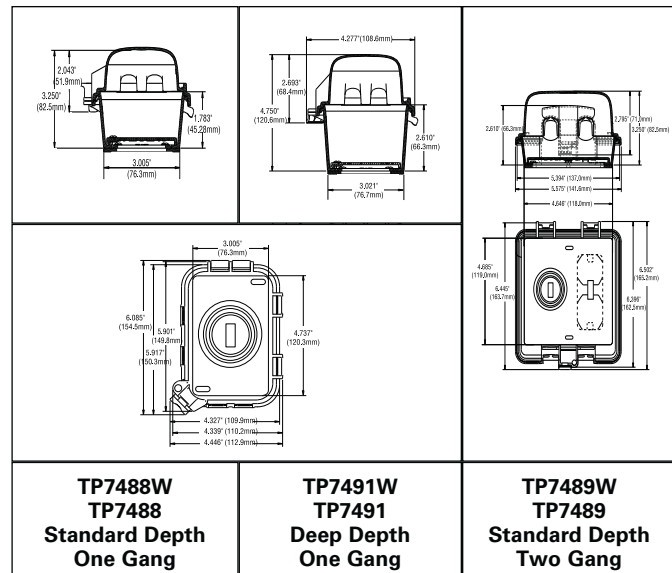
- UL and cUL Listed
- Meets NEMA 3R requirements

Standard Materials:

- Cover, back and hinges – polycarbonate
- Gasket – neoprene



Dimensions (in Inches):



Weatherproof

Cat. #	Description	No. of Configurations using Inserts & Movable Hinges	Color	Unit Qty.	Wt. Lbs. Per 100
TP7488	One Gang, 3.25" Standard Depth, Self-closing Cover, Horizontal/Vertical Mount	16	Gray	6	45
TP7491	One Gang, 4.75" Deep Depth, Self-closing Cover, Horizontal/Vertical Mount	16	Gray	3	48
TP7489	Two Gang, 3.25" Standard Depth, Self-closing Cover, Vertical Mount	66	Gray	4	77
TP7488W	One Gang, 3.25" Standard Depth, Self-closing Cover, Horizontal/Vertical Mount	16	White	6	45
TP7491W	One Gang, 4.75" Deep Depth, Self-closing Cover, Horizontal/Vertical Mount	16	White	3	48
TP7489W	Two Gang, 3.25" Standard Depth, Self-closing Cover, Vertical Mount	66	White	4	77

While-in-use Covers

FOR ONE & TWO GANG BOXES

POLYCARBONATE, "CONSTANT USE" DUPLEX/GFI COVER UL & CSA LISTED

Single gang covers have a patented design with movable hinges that reposition easily for vertical or horizontal mounting, with no tools required.

While-in-use Covers offer a rugged, versatile design that protects against various elements such as rain, snow and ice. They are available in gray and white; single gang, single gang deep and double gang to offer 98 different configurations. The single gang covers have a patented design with movable hinges that reposition easily for vertical or horizontal mounting, with no tools required. They are great for use with vending machines, holiday lighting, portable signs, outdoor lighting, outdoor hot tubs and more.

Features:

- Rugged, UV-resistant polycarbonate cover and back protects device inside from rain, sleet and snow without cracking or breaking and is non-corrosive and non-conductive
- Covers have a versatile product design with movable hinges that reposition for vertical/horizontal mounting, which reduces the number of SKUs
- Each cover includes a pre-mounted neoprene gasket on the back, ensuring the gasket cannot fall off or be improperly positioned during installation – assuring a weatherproof installation every time
- Available in one gang, self-closing cover, standard (3.25") and deep (4.75") depths
- Available in two gang, self-closing cover, standard (3.25") depth
- Meets and exceeds outdoor lighting requirements
- Lockable cover (with customer added locking device) adds security
- Available in both gray and white to meet customer preference
- Compatible with FS and FD boxes

Certifications and Compliances:

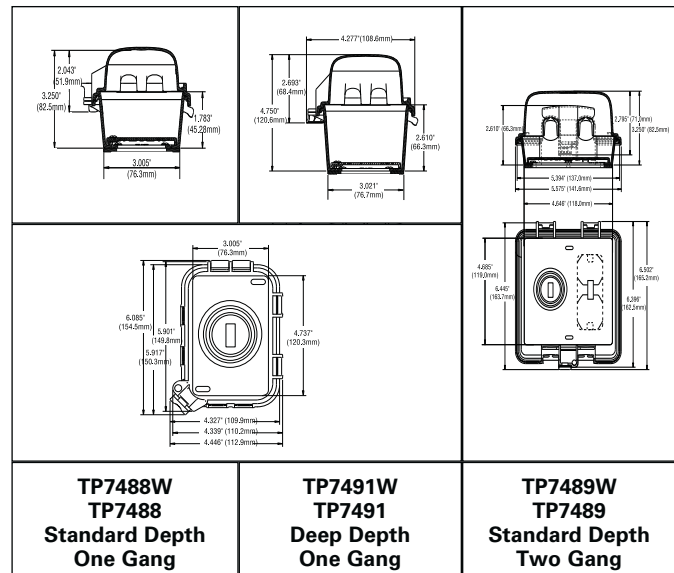
- UL and cUL Listed
- Meets NEMA 3R requirements

Standard Materials:

- Cover, back and hinges – polycarbonate
- Gasket – neoprene



Dimensions (in Inches):



Weatherproof

Cat. #	Description	No. of Configurations using Inserts & Movable Hinges	Color	Unit Qty.	Wt. Lbs. Per 100
TP7488	One Gang, 3.25" Standard Depth, Self-closing Cover, Horizontal/Vertical Mount	16	Gray	6	45
TP7491	One Gang, 4.75" Deep Depth, Self-closing Cover, Horizontal/Vertical Mount	16	Gray	3	48
TP7489	Two Gang, 3.25" Standard Depth, Self-closing Cover, Vertical Mount	66	Gray	4	77
TP7488W	One Gang, 3.25" Standard Depth, Self-closing Cover, Horizontal/Vertical Mount	16	White	6	45
TP7491W	One Gang, 4.75" Deep Depth, Self-closing Cover, Horizontal/Vertical Mount	16	White	3	48
TP7489W	Two Gang, 3.25" Standard Depth, Self-closing Cover, Vertical Mount	66	White	4	77