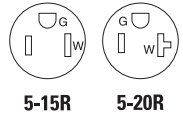


# Arrow Hart combination USB charger with tamper resistant duplex receptacle

Project Name:	Prepared By:
Project Number:	Date:
Catalog Number:	Type:

## Description

2-pole, 3-wire grounding  
 15A, 125V/AC, 5V/DC, 3.1A  
 20A, 125V/AC, 5V/DC, 3.1A  
 NEMA 5-15R, 5-20R



TR7755W



TR7756



## Design features

- Standard AC duplex receptacle with two USB charging ports rated at 3.1A
- Dual USB charging ports charge most compatible electronic devices that charge via a 5V charger adapter
- Three (3) pre-stripped 6" wire leads for line, neutral and ground for quick and easy installation
- Tamper resistant shutters provide compliance with 2014 NEC® Article 406.12 that states that all 15A and 20A, 125V receptacles installed in dwelling units must be tamper resistant
- Replaces a standard duplex receptacle
- Automatic grounding system eliminates need for bonding jumper in grounded metal enclosure, provides redundant measure of ground continuity where jumper is used
- Thermoplastic top and back-body are virtually unbreakable to deliver years of durable performance
- Steel mounting strap is zinc plated for added corrosion resistance
- Convenient patented built-in wire strippers speed installation
- Triple wipe blade contacts and double wipe ground contacts to insure long-term blade retention

**Table 1. USB charger with tamper resistant duplex receptacles, pre-stripped wire leads**

Catalog no.	Description	Rating		USB rating		Color suffix
		A	V/AC	Amp	V/DC	
<input type="checkbox"/> TR7755__	USB charger with tamper resistant duplex receptacle	15	125	3.1	5	A, B, BK, GY, LA, V, W
<input type="checkbox"/> TR7756__	USB charger with tamper resistant duplex receptacle	20	125	3.1	5	A, B, BK, GY, LA, V, W

Compliances, specifications and availability are subject to change without notice.



Powering Business Worldwide

Project Name:	Prepared By:
Project Number:	Date:
Catalog Number:	Type:

## Applications

The Arrow Hart USB duplex receptacle provides quick and convenient access to charge virtually any electronic component including smart phones, tablets, e-readers, cameras and MP3 players. The specification grade device is built to withstand the tough demands of the commercial environment while also providing code compliance with 2014 NEC® article 406.12 that requires tamper resistant receptacles in dwelling units.

**Table 2. Specifications**

Catalog no.	TR7755 & TR7756 series
<b>Device type</b>	<b>USB combination charger with tamper resistant duplex receptacle</b>
<b>Wiring type</b>	Wire leads
<b>Testing &amp; code compliance</b>	cULus Listed to UL498 and UL1310, File no. E15058
<b>Environmental specifications</b>	<b>Flammability:</b> Meets UL94 requirements; V2 rated <b>Temperature rating:</b> -20°C to 60°C (-4°F to 140°F)
<b>Electrical specifications: AC output</b>	<b>Dielectric voltage:</b> Receptacle withstands 2000V per UL498 <b>Temperature rise:</b> Receptacle - max. 30°C (86°F) after 100 cycles of overload @ 150% of rated current (DC)
<b>Electrical specifications: DC output</b>	<b>Switching frequency:</b> Typical 140 kHz <b>Output voltage:</b> Nominal 5V (+/- 10%) <b>Protection:</b> Current limiting and thermal shutdown protection <b>Output current:</b> Constant current maximum 3.1A
<b>Mechanical specifications</b>	<b>Terminations:</b> Device can be wired using #14 or #12 AWG wires, three 6" pre-stripped wire leads for line, neutral and ground, #14 AWG for TR7755 and #12 AWG for TR7756

**Table 3. Materials**

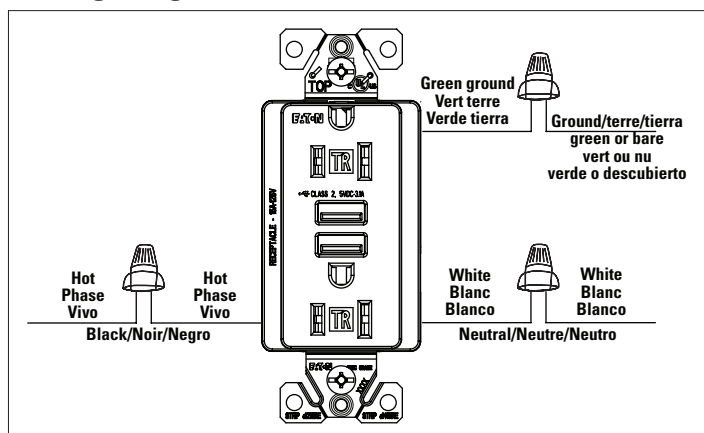
Catalog no.	TR7755 & TR7756 series
<b>Top housing</b>	PC
<b>Bottom housing</b>	PC
<b>Strap</b>	0.045" thick steel, zinc plated
<b>Auto ground clip</b>	Phosphor bronze
<b>Line contacts</b>	0.030" thick brass
<b>Ground contact</b>	0.014" thick brass
<b>Terminal screws</b>	N/A (wire leads)
<b>Ground screw</b>	N/A (wire leads)
<b>Tamper resistant</b>	Reliable Delrin® shutter assembly

**Table 4. Color ordering information**

For ordering devices, include Cat. no. followed by the color code: A (Almond), B (Brown), BK (Black), GY (Gray), LA (Light Almond), V (Ivory), W (White)

A	B	BK	GY	LA	V	W
Almond	Brown	Black	Gray	Lt. Almond	Ivory	White

## Wiring diagram



Project Name:	Prepared By:
Project Number:	Date:
Catalog Number:	Type:

## Product dimensions

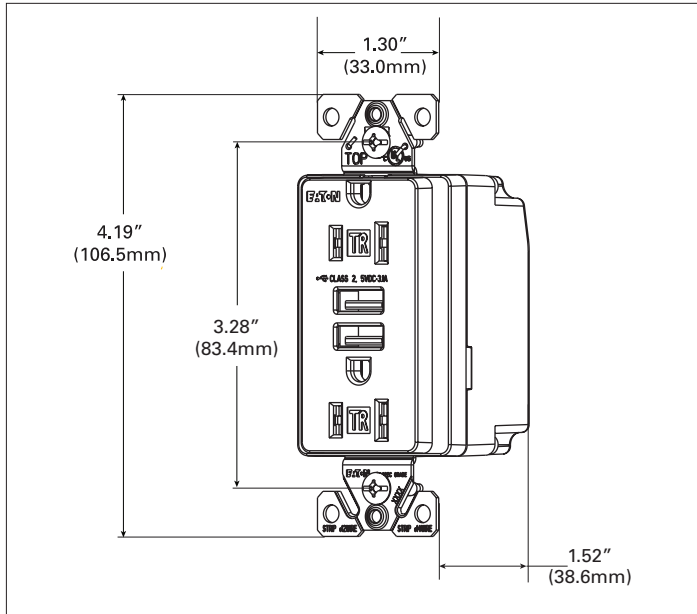


Figure 1. TR7755 Line art with dimensions

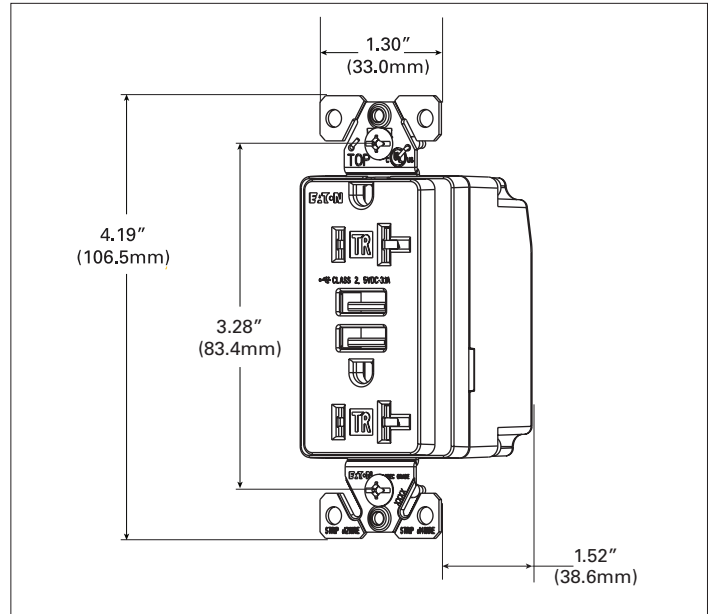


Figure 2. TR7756 Line art with dimensions

## Certifications & compliances

Catalog no.	cULus	NOM 426
TR7755	•	•
TR7756	•	•

KEY: cULus cULus NOM 426 NOM

Electrical Sector  
203 Cooper Circle  
Peachtree City, GA 30269  
United States  
Eaton.com  
Cooperwiringdevices.com

Electrical Sector  
Canada Operations  
5925 McLaughlin Road  
Mississauga, Ontario, L5R 1B8  
Canada  
EatonCanada.ca  
Cooperwiringdevices.com

Electrical Sector  
Mexico Operations  
Carr. Tlalnepantla -  
Cuautitlán Km 17.8 s/n  
Col. Villa Jardín esq.  
Cerrada 8 de Mayo  
Cuautitlán, México CP 54800  
México  
Eaton.mx  
Cooperwiringdevices.com

**Eaton**  
1000 Eaton Boulevard  
Cleveland, OH 44122  
United States  
Eaton.com

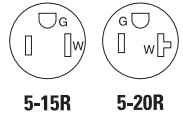
© 2015 Eaton  
All Rights Reserved  
Printed in USA  
Publication No. TD610014EN  
July 2015

# Arrow Hart combination USB charger with tamper resistant duplex receptacle

Project Name:	Prepared By:
Project Number:	Date:
Catalog Number:	Type:

## Description

2-pole, 3-wire grounding  
 15A, 125V/AC, 5V/DC, 3.1A  
 20A, 125V/AC, 5V/DC, 3.1A  
 NEMA 5-15R, 5-20R



TR7755W

**TR**  
TAMPER  
RESISTANT



TR7756

**TR**  
TAMPER  
RESISTANT

## Design features

- Standard AC duplex receptacle with two USB charging ports rated at 3.1A
- Dual USB charging ports charge most compatible electronic devices that charge via a 5V charger adapter
- Three (3) pre-stripped 6" wire leads for line, neutral and ground for quick and easy installation
- Tamper resistant shutters provide compliance with 2014 NEC® Article 406.12 that states that all 15A and 20A, 125V receptacles installed in dwelling units must be tamper resistant
- Replaces a standard duplex receptacle
- Automatic grounding system eliminates need for bonding jumper in grounded metal enclosure, provides redundant measure of ground continuity where jumper is used
- Thermoplastic top and back-body are virtually unbreakable to deliver years of durable performance
- Steel mounting strap is zinc plated for added corrosion resistance
- Convenient patented built-in wire strippers speed installation
- Triple wipe blade contacts and double wipe ground contacts to insure long-term blade retention

**Table 1. USB charger with tamper resistant duplex receptacles, pre-stripped wire leads**

Catalog no.	Description	Rating		USB rating		Color suffix
		A	V/AC	Amp	V/DC	
<input type="checkbox"/> TR7755__	USB charger with tamper resistant duplex receptacle	15	125	3.1	5	A, B, BK, GY, LA, V, W
<input type="checkbox"/> TR7756__	USB charger with tamper resistant duplex receptacle	20	125	3.1	5	A, B, BK, GY, LA, V, W

Compliances, specifications and availability are subject to change without notice.



Powering Business Worldwide

Project Name:	Prepared By:
Project Number:	Date:
Catalog Number:	Type:

## Applications

The Arrow Hart USB duplex receptacle provides quick and convenient access to charge virtually any electronic component including smart phones, tablets, e-readers, cameras and MP3 players. The specification grade device is built to withstand the tough demands of the commercial environment while also providing code compliance with 2014 NEC® article 406.12 that requires tamper resistant receptacles in dwelling units.

**Table 2. Specifications**

Catalog no.	TR7755 & TR7756 series
<b>Device type</b>	<b>USB combination charger with tamper resistant duplex receptacle</b>
<b>Wiring type</b>	Wire leads
<b>Testing &amp; code compliance</b>	cULus Listed to UL498 and UL1310, File no. E15058
<b>Environmental specifications</b>	<b>Flammability:</b> Meets UL94 requirements; V2 rated <b>Temperature rating:</b> -20°C to 60°C (-4°F to 140°F)
<b>Electrical specifications: AC output</b>	<b>Dielectric voltage:</b> Receptacle withstands 2000V per UL498 <b>Temperature rise:</b> Receptacle - max. 30°C (86°F) after 100 cycles of overload @ 150% of rated current (DC)
<b>Electrical specifications: DC output</b>	<b>Switching frequency:</b> Typical 140 kHz <b>Output voltage:</b> Nominal 5V (+/- 10%) <b>Protection:</b> Current limiting and thermal shutdown protection <b>Output current:</b> Constant current maximum 3.1A
<b>Mechanical specifications</b>	<b>Terminations:</b> Device can be wired using #14 or #12 AWG wires, three 6" pre-stripped wire leads for line, neutral and ground, #14 AWG for TR7755 and #12 AWG for TR7756

**Table 3. Materials**

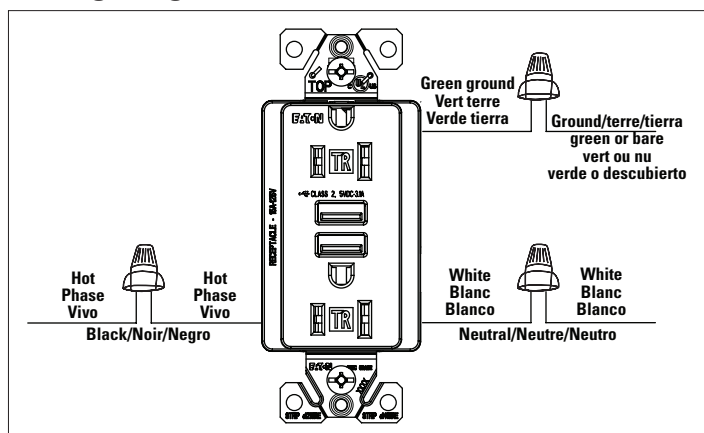
Catalog no.	TR7755 & TR7756 series
<b>Top housing</b>	PC
<b>Bottom housing</b>	PC
<b>Strap</b>	0.045" thick steel, zinc plated
<b>Auto ground clip</b>	Phosphor bronze
<b>Line contacts</b>	0.030" thick brass
<b>Ground contact</b>	0.014" thick brass
<b>Terminal screws</b>	N/A (wire leads)
<b>Ground screw</b>	N/A (wire leads)
<b>Tamper resistant</b>	Reliable Delrin® shutter assembly

**Table 4. Color ordering information**

For ordering devices, include Cat. no. followed by the color code: A (Almond), B (Brown), BK (Black), GY (Gray), LA (Light Almond), V (Ivory), W (White)

A	B	BK	GY	LA	V	W
Almond	Brown	Black	Gray	Lt. Almond	Ivory	White

## Wiring diagram



Project Name:	Prepared By:
Project Number:	Date:
Catalog Number:	Type:

## Product dimensions

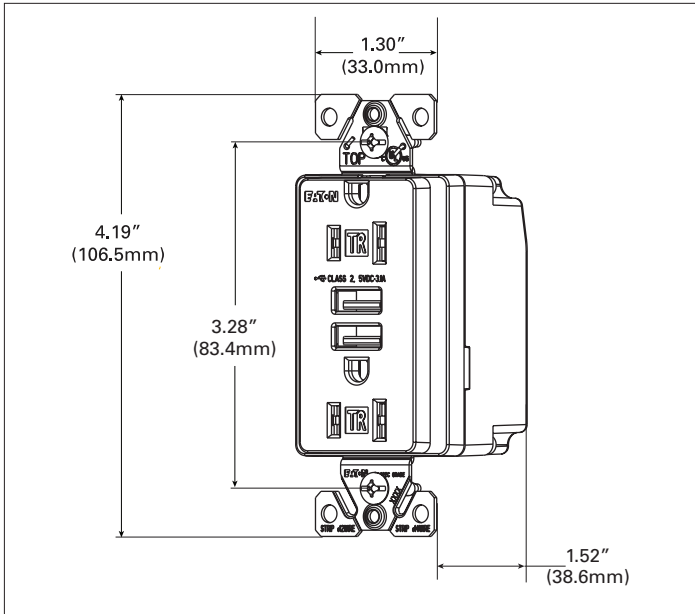


Figure 1. TR7755 Line art with dimensions

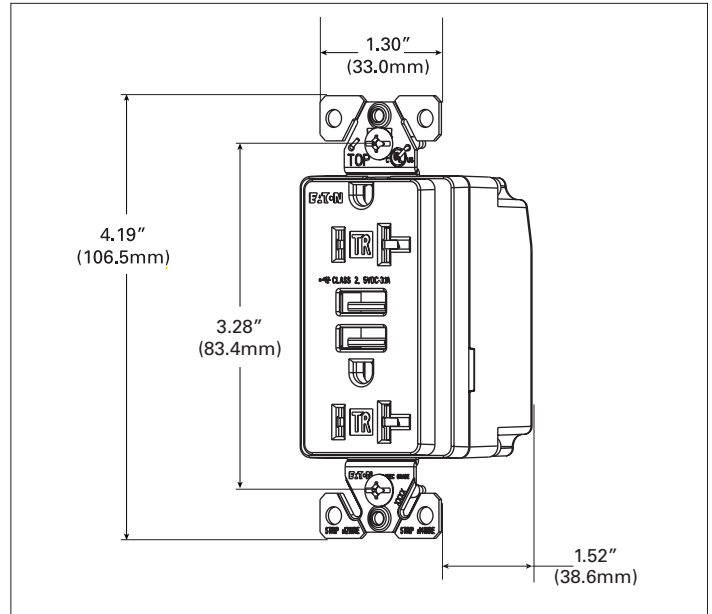


Figure 2. TR7756 Line art with dimensions

## Certifications & compliances

Catalog no.	cULus	NOM 426
TR7755	•	•
TR7756	•	•

KEY: cULus cULus NOM 426 NOM

Electrical Sector  
203 Cooper Circle  
Peachtree City, GA 30269  
United States  
Eaton.com  
Cooperwiringdevices.com

Electrical Sector  
Canada Operations  
5925 McLaughlin Road  
Mississauga, Ontario, L5R 1B8  
Canada  
EatonCanada.ca  
Cooperwiringdevices.com

Electrical Sector  
Mexico Operations  
Carr. Tlalnepantla -  
Cuautitlán Km 17.8 s/n  
Col. Villa Jardín esq.  
Cerrada 8 de Mayo  
Cuautitlán, México CP 54800  
México  
Eaton.mx  
Cooperwiringdevices.com

**Eaton**  
1000 Eaton Boulevard  
Cleveland, OH 44122  
United States  
Eaton.com

© 2015 Eaton  
All Rights Reserved  
Printed in USA  
Publication No. TD610014EN  
July 2015

Eaton is a registered trademark.

All other trademarks are property  
of their respective owners.