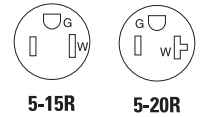


# OBC Arc Fault Circuit Interrupter (AFCI) Receptacles

Project Name:	Prepared By:
Project Number:	Date:
Catalog Number:	Type:

## Description

2-Pole, 3-Wire Grounding  
 15A, 125V/AC  
 20A, 125V/AC



TRAFCI15



TRAFCI20V

## Design features

- Protects against arc faults in wiring resulting from damaged insulation and other causes that can lead to electrical fires
- Outlet Branch Circuit (OBC) AFCI receptacles protect from series and parallel arcs downstream
- Outlet Branch Circuit (OBC) AFCI receptacles also provide protection from upstream series arcs (no AFCI receptacle from any manufacturer can protect from upstream parallel arcs)
- Tamper resistant products comply with 2014 NEC® Article 406.12 for all dwelling units
- Meets and exceeds Short Circuit Testing and Underwriters Laboratories UL 1699A and UL 498 Safety standards
- Ground termination with backwire clamp provides secure wiring and reduces installation time
- Line side terminals are backed out and staked for fast installation
- When downstream receptacles are wired from load side, a 20 amp feed-through rating offers full protection
- Tri-combo head terminal and mounting screws

**Table 1. Isolated Ground, Back & Side Wire**

Catalog No.	Description	Amps	Volts	Color Suffix
<input type="checkbox"/> TRAFCI15__	Tamper Resistant OBC AFCI Receptacle	15	125	A, B, BK, GY, LA, V, W
<input type="checkbox"/> TRAFCI20__	Tamper Resistant OBC AFCI Receptacle	20	125	A, B, BK, GY, LA, V, W

Compliances, specifications and availability are subject to change without notice.



Powering Business Worldwide

Project Name:	Prepared By:
Project Number:	Date:
Catalog Number:	Type:

## Applications

Eaton's Wiring Devices Outlet Branch Circuit (OBC) AFCI receptacles provide protection against unseen arc faults that can result in electrical fires. With a 20A feed-through rating, arc fault protection extends to all down-stream devices and electrical cords when installed properly. Tamper Resistant shutters provide compliance with 2014 NEC Article 406.12 that states that all receptacles installed in dwelling units must be tamper resistant. "TR" designation provides visual identification. Terminal screws are backed out and ready to wire. Durable impact-resistant thermoplastic face and back body are virtually unbreakable.

**Table 2. Specifications**

Catalog No.	TRAFCI15 & TRAFCI20 Series
<b>Device Type</b>	<b>Outlet Branch Circuit Arc Fault Circuit Interrupter</b>
<b>Wiring Type</b>	Back & side wire
<b>Testing &amp; Code Compliance</b>	<b>cULus Listed</b> to UL1699A and UL498, File no. E341748 Meets all UL 1699A (AFCI) and UL498 (Receptacles) requirements and cULus to CEC part II and CSA C22.2 No. 0 and C22.2, No.42
<b>Warranty</b>	2-Year, Limited
<b>Environmental Specifications</b>	<b>Flammability:</b> Meets UL94 requirements; V2 rated <b>Temperature Rating:</b> -35°C to 66°C (-31°F to 150.8°F) <b>Operating Areas:</b> Indoor use <b>Relative Humidity:</b> 98% RH; non-condensing
<b>Electrical Specifications</b>	<b>Dielectric Voltage:</b> Withstands 2000V per UL498 <b>Current Interrupting:</b> Yes, at full-rated current <b>Temperature Rise:</b> Max. 30°C (86°F) after 100 cycles of overload @ 150% of rated current (DC) <b>Trip Time:</b> >110ms @ Series Arcs above 30A <b>Frequency:</b> 60 Hz; Voltage: 125V; Amperage: 15A/20A 20A Feed Through <b>Short Circuit Testing:</b> Meets and exceeds 10 kA <b>Max. Interrupt Capacity:</b> 20A
<b>Mechanical Specifications</b>	<b>Terminal Accommodation:</b> #14 - #10 AWG <b>Voltage Ratings:</b> Permanently marked on device

**Table 3. Materials**

Catalog No.	TRAFCI15 & TRAFCI20 Series
<b>Top Housing</b>	Nylon
<b>Bottom Housing</b>	PVC
<b>Strap</b>	Steel
<b>Line Contacts</b>	Brass
<b>Ground Contact</b>	Brass
<b>Terminal Screws</b>	#8-32 steel, brass plated; neutral screw nickel plated
<b>Ground Screw</b>	#8-32 steel, zinc plated, green

**Table 4. Color Ordering Information**

For ordering devices, include Cat. No. followed by the color code: A (Almond), B (Brown), BK (Black), GY (Gray) LA (Light Almond), V (Ivory), W (White)

A	B	BK	GY	LA	V	W
Almond	Brown	Black	Gray	Lt. Almond	Ivory	White

**Compliances, specifications and availability are subject to change without notice.**

Project Name:	Prepared By:
Project Number:	Date:
Catalog Number:	Type:

## Product Dimensions

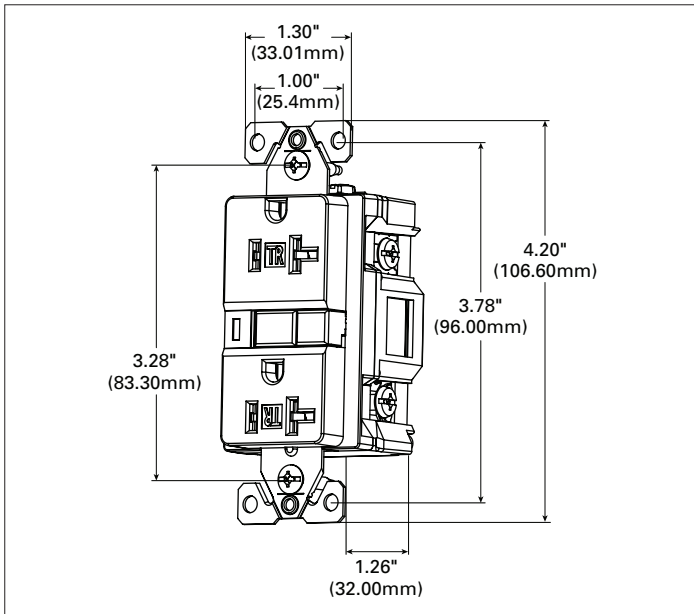


Figure 1. TRAFCI20

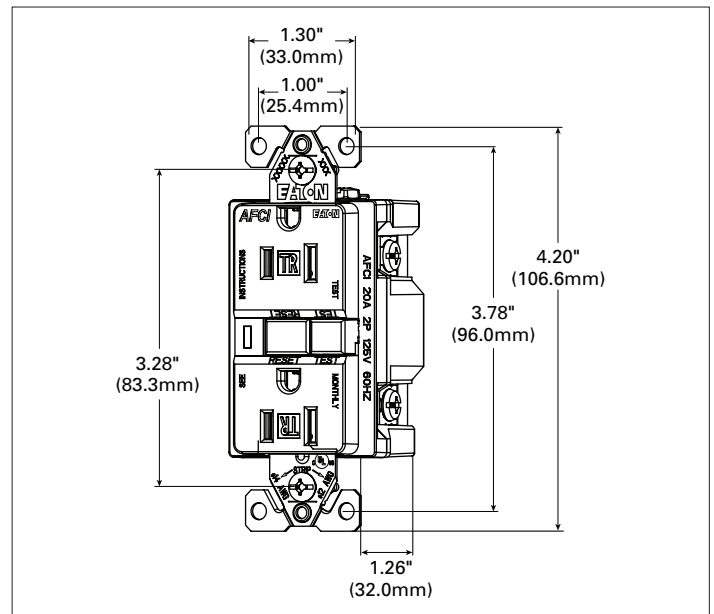


Figure 2. TRAFCI15

## Wiring Diagrams

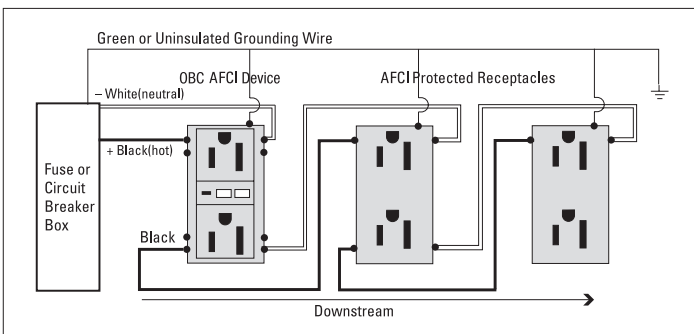


Figure 3. OBC AFCI: Feed-Through Installation with Protection Provided Downstream

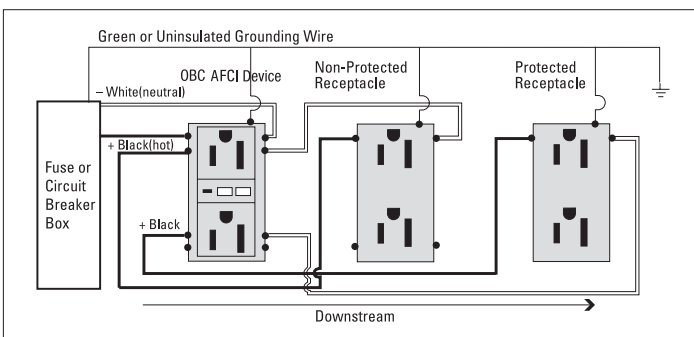
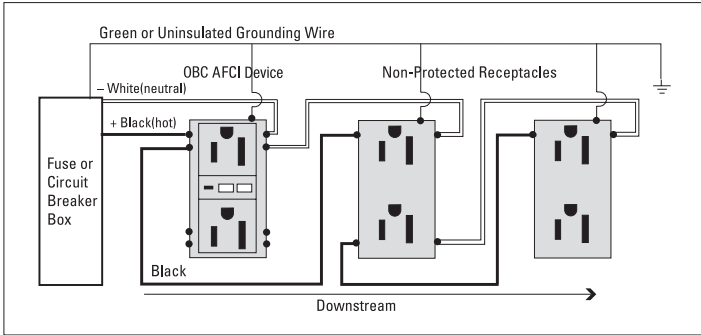


Figure 4. OBC AFCI: Feed-Through Installation with Both Protected and Non-Protected Receptacles Downstream

Project Name:	Prepared By:
Project Number:	Date:
Catalog Number:	Type:



**Figure 5. OBC AFCI: Feed-Through Installation with Non-Protected Receptacles Downstream**

## Certifications & Compliances

Catalog No.	cULus
TRAFCI15	•
TRAFCI20	•

**KEY:** cULus cULus

Compliances, specifications and availability are subject to change without notice.

Electrical Sector  
203 Cooper Circle  
Peachtree City, GA 30269  
United States  
Eaton.com  
Eaton.com/arrowhart

Electrical Sector  
Canada Operations  
5925 McLaughlin Road  
Mississauga, Ontario, L5R 1B8  
Canada  
EatonCanada.ca  
Eaton.com/arrowhart

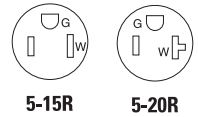
Electrical Sector  
Mexico Operations  
Carr. Tlalnepantla -  
Cuautitlan Km 17.8 s/n  
Col. Villa Jardin esq.  
Cerrada 8 de Mayo  
Cuautitlan, Mexico CP 54800  
Mexico  
Eaton.mx  
Eaton.com/arrowhart

# OBC Arc Fault Circuit Interrupter (AFCI) Receptacles

Project Name:	Prepared By:
Project Number:	Date:
Catalog Number:	Type:

## Description

2-Pole, 3-Wire Grounding  
 15A, 125V/AC  
 20A, 125V/AC



TRAFCI15



TRAFCI20V

## Design features

- Protects against arc faults in wiring resulting from damaged insulation and other causes that can lead to electrical fires
- Outlet Branch Circuit (OBC) AFCI receptacles protect from series and parallel arcs downstream
- Outlet Branch Circuit (OBC) AFCI receptacles also provide protection from upstream series arcs (no AFCI receptacle from any manufacturer can protect from upstream parallel arcs)
- Tamper resistant products comply with 2014 NEC® Article 406.12 for all dwelling units
- Meets and exceeds Short Circuit Testing and Underwriters Laboratories UL 1699A and UL 498 Safety standards
- Ground termination with backwire clamp provides secure wiring and reduces installation time
- Line side terminals are backed out and staked for fast installation
- When downstream receptacles are wired from load side, a 20 amp feed-through rating offers full protection
- Tri-combo head terminal and mounting screws

**Table 1. Isolated Ground, Back & Side Wire**

Catalog No.	Description	Amps	Volts	Color Suffix
<input type="checkbox"/> TRAFCI15__	Tamper Resistant OBC AFCI Receptacle	15	125	A, B, BK, GY, LA, V, W
<input type="checkbox"/> TRAFCI20__	Tamper Resistant OBC AFCI Receptacle	20	125	A, B, BK, GY, LA, V, W

Compliances, specifications and availability are subject to change without notice.



Powering Business Worldwide

Project Name:	Prepared By:
Project Number:	Date:
Catalog Number:	Type:

## Applications

Eaton's Wiring Devices Outlet Branch Circuit (OBC) AFCI receptacles provide protection against unseen arc faults that can result in electrical fires. With a 20A feed-through rating, arc fault protection extends to all down-stream devices and electrical cords when installed properly. Tamper Resistant shutters provide compliance with 2014 NEC Article 406.12 that states that all receptacles installed in dwelling units must be tamper resistant. "TR" designation provides visual identification. Terminal screws are backed out and ready to wire. Durable impact-resistant thermoplastic face and back body are virtually unbreakable.

**Table 2. Specifications**

Catalog No.	TRAFCI15 & TRAFCI20 Series
<b>Device Type</b>	<b>Outlet Branch Circuit Arc Fault Circuit Interrupter</b>
<b>Wiring Type</b>	Back & side wire
<b>Testing &amp; Code Compliance</b>	<b>cULus Listed</b> to UL1699A and UL498, File no. E341748 Meets all UL 1699A (AFCI) and UL498 (Receptacles) requirements and cULus to CEC part II and CSA C22.2 No. 0 and C22.2, No.42
<b>Warranty</b>	2-Year, Limited
<b>Environmental Specifications</b>	<b>Flammability:</b> Meets UL94 requirements; V2 rated <b>Temperature Rating:</b> -35°C to 66°C (-31°F to 150.8°F) <b>Operating Areas:</b> Indoor use <b>Relative Humidity:</b> 98% RH; non-condensing
<b>Electrical Specifications</b>	<b>Dielectric Voltage:</b> Withstands 2000V per UL498 <b>Current Interrupting:</b> Yes, at full-rated current <b>Temperature Rise:</b> Max. 30°C (86°F) after 100 cycles of overload @ 150% of rated current (DC) <b>Trip Time:</b> >110ms @ Series Arcs above 30A <b>Frequency:</b> 60 Hz; Voltage: 125V; Amperage: 15A/20A 20A Feed Through <b>Short Circuit Testing:</b> Meets and exceeds 10 kA <b>Max. Interrupt Capacity:</b> 20A
<b>Mechanical Specifications</b>	<b>Terminal Accommodation:</b> #14 - #10 AWG <b>Voltage Ratings:</b> Permanently marked on device

**Table 3. Materials**

Catalog No.	TRAFCI15 & TRAFCI20 Series
<b>Top Housing</b>	Nylon
<b>Bottom Housing</b>	PVC
<b>Strap</b>	Steel
<b>Line Contacts</b>	Brass
<b>Ground Contact</b>	Brass
<b>Terminal Screws</b>	#8-32 steel, brass plated; neutral screw nickel plated
<b>Ground Screw</b>	#8-32 steel, zinc plated, green

**Table 4. Color Ordering Information**

For ordering devices, include Cat. No. followed by the color code: A (Almond), B (Brown), BK (Black), GY (Gray) LA (Light Almond), V (Ivory), W (White)

A	B	BK	GY	LA	V	W
Almond	Brown	Black	Gray	Lt. Almond	Ivory	White

**Compliances, specifications and availability are subject to change without notice.**

Project Name:	Prepared By:
Project Number:	Date:
Catalog Number:	Type:

## Product Dimensions

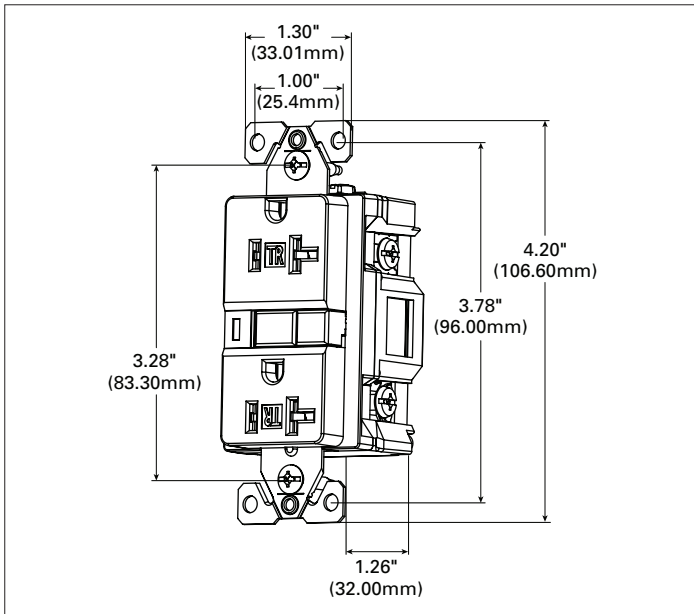


Figure 1. TRAFCI20

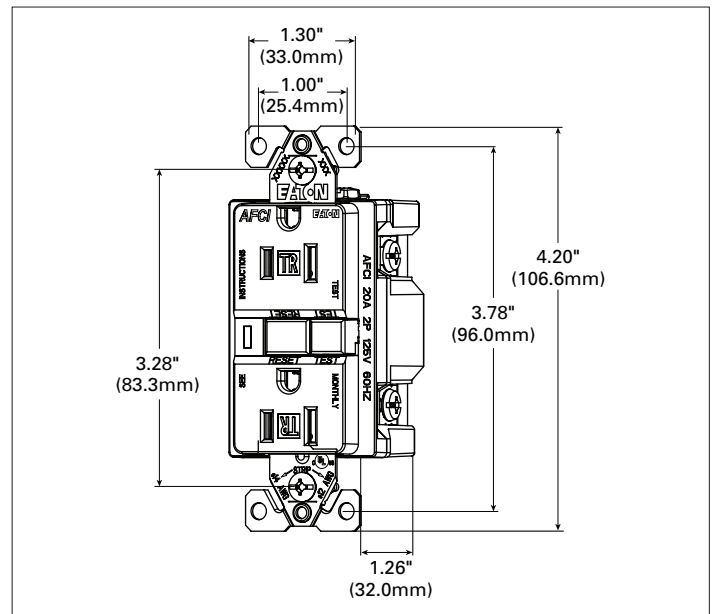


Figure 2. TRAFCI15

## Wiring Diagrams

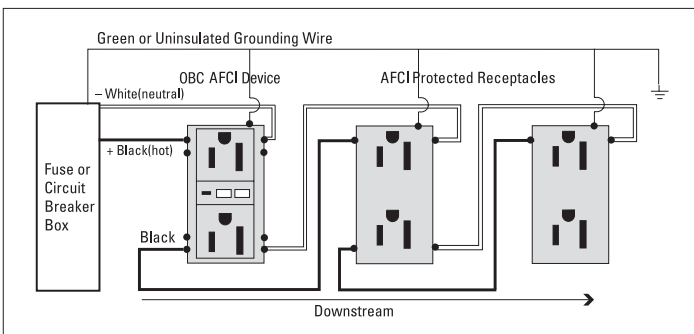


Figure 3. OBC AFCI: Feed-Through Installation with Protection Provided Downstream

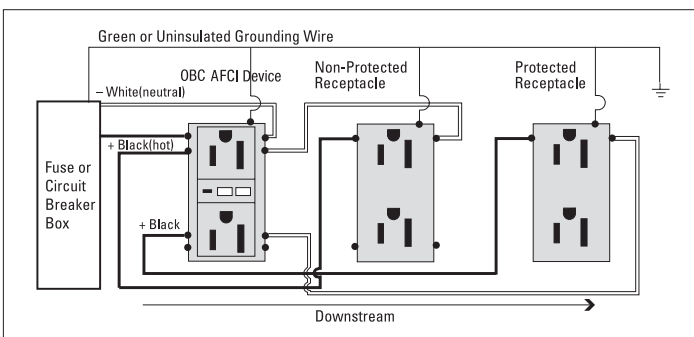
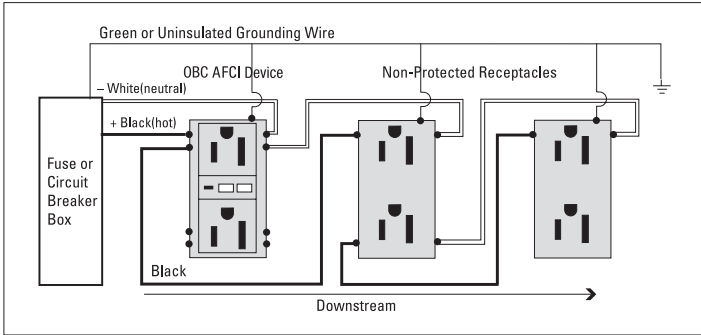



Figure 4. OBC AFCI: Feed-Through Installation with Both Protected and Non-Protected Receptacles Downstream

Project Name:	Prepared By:
Project Number:	Date:
Catalog Number:	Type:



**Figure 5. OBC AFCI: Feed-Through Installation with Non-Protected Receptacles Downstream**

## Certifications & Compliances

Catalog No.	
TRAFCI15	•
TRAFCI20	•

**KEY:**  cULus

Compliances, specifications and availability are subject to change without notice.

Electrical Sector  
203 Cooper Circle  
Peachtree City, GA 30269  
United States  
Eaton.com  
Eaton.com/arrowhart

Electrical Sector  
Canada Operations  
5925 McLaughlin Road  
Mississauga, Ontario, L5R 1B8  
Canada  
EatonCanada.ca  
Eaton.com/arrowhart

Electrical Sector  
Mexico Operations  
Carr. Tlalnepantla -  
Cuautitlan Km 17.8 s/n  
Col. Villa Jardin esq.  
Cerrada 8 de Mayo  
Cuautitlan, Mexico CP 54800  
Mexico  
Eaton.mx  
Eaton.com/arrowhart