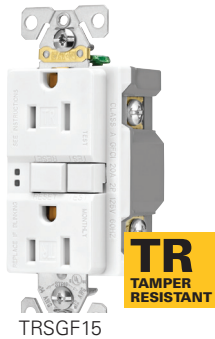
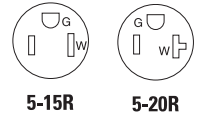


# Tamper resistant self-test GFCI receptacles

Project Name:	Prepared By:
Project Number:	Date:
Catalog Number:	Type:

## Description

2-Pole, 3-Wire Grounding  
15A, 125V/AC; 20A, 125V/AC  
NEMA 5-15, 5-20



## Design features

- Performs periodic self-tests to ensure integrity of GFCI protection. If no ground-fault protection is detected, the device will trip, will not reset, and the status indicator light will glow amber
- Meets and exceeds 10 kA short circuit testing and underwriters laboratories (UL) 2006 UL943 safety standards
- Large visual trip indicator light gives quick notification of a tripped or "end of life" condition
- Automatic grounding system eliminates need for bonding jumper in grounded metal enclosure, provides redundant measure of ground continuity where jumper is used
- Ground termination with back wire clamp provides secure wiring and reduces installation time
- Tamper resistant shutters resist the insertion of foreign objects
- Line side terminals are backed out and staked for fast installation
- Horizontal test/reset button alignment provides larger unobstructed area
- Test and reset buttons are color matched to provide superior aesthetics
- Tapered back wire openings handle multiple wire sizes and types for applications up to #10 AWG solid or stranded wire
- When downstream receptacles are wired from load side, a 20 amp feed-through rating offers full protection
- Line-load miswiring protection: GFCI's will not provide power downstream when wired incorrectly
- Tri-combo head terminal and mounting screws

**Table 1. Tamper Resistant Self-Test GFCI Receptacles, Back & Side Wire**

Catalog No.	Description	Amps	Volts	Color Suffix
□ TRSGF15__	NEMA 5-15R Duplex self-test GFCI, back & side wire	15	125	A, B, BK, GY, LA, RB, SG, V, W
□ TRSGF20__	NEMA 5-20R Duplex self-test GFCI, back & side wire	20	125	A, B, BK, GY, LA, RB, RD, SG, V, W



Powering Business Worldwide

Project Name:	Prepared By:
Project Number:	Date:
Catalog Number:	Type:

## Applications

GFCI receptacles are designed with the safety of the user in mind. In commercial and industrial areas like public bathrooms, breakrooms and food service areas, the NEC® requires GFCI receptacles. Arrow Hart Self-Test GFCI receptacles are UL Listed and fully compliant with all of the latest UL943 Class A GFCI and UL498 requirements. The Self-Test GFCIs conduct an automatic test periodically to ensure GFCI protection. The device will trip and will not reset if GFCI protection is not available. Additionally, GFCIs incorporate a safety lock-out function to protect against mis-wired line-load connections and GFCI circuitry damage.

**Table 2. Specifications**

Catalog No.	TRSGF
<b>Device Type</b>	<b>Specification grade tamper resistant duplex self-test GFCI, 15A &amp; 20A</b>
<b>Wiring Type</b>	Back & side wire
<b>Testing &amp; Code Compliance</b>	<ul style="list-style-type: none"> <li>cULus Listed to UL498 and UL943, file no. E60120</li> <li>Meets all UL943 (GFCI), UL498 (Receptacles), UL498 and applicable CSA requirements</li> <li>NOM certified</li> </ul>
<b>Environmental Specifications</b>	<b>Flammability:</b> Meets UL 94 requirements; V2 rated <b>Temperature Rating:</b> -35°C to 66°C (-31°F to 150.8°F).
<b>Electrical Specifications</b>	<b>Dielectric Voltage:</b> Withstands 2000V per UL498 <b>Current Interrupting:</b> Yes, at full-rated current <b>Temperature Rise:</b> Max. 30°C (86°F) after 100 cycles of overload @ 150% of rated current (DC) <b>Trip time:</b> 0.025 seconds (Class A) <b>Frequency:</b> 60 Hz; voltage: 125V; amperage: 15A/20A 20A feed through <b>Short circuit testing:</b> Meets and exceeds 10 kA <b>Maximum interrupting capacity:</b> 20 amps
<b>Mechanical Specifications</b>	<b>Terminal Accommodation:</b> #14 - 10 AWG <b>Voltage Ratings:</b> Permanently marked on device

**Table 3. Materials**

Catalog No.	TRSGF
<b>Top Housing</b>	Nylon PC (Oil Rubbed Bronze and Silver Granite colors only)
<b>Bottom Housing</b>	PVC
<b>Strap</b>	0.040" thick steel, zinc plated
<b>Line Contacts</b>	0.030" thick 3-leaf brass
<b>Terminal Screws</b>	#8-32 steel, brass plated, hot neutral screw nickel plated
<b>Ground Screw</b>	#8-32 steel, zinc plated (green)
<b>Terminal Clamps</b>	Brass-plated steel;

**Table 4. Color Ordering Information**

For ordering devices, include Cat. No. followed by the color code: A (Almond), B (Brown), BK (Black), GY (Gray), LA (Lt. Almond), RB (Oil Rubbed Bronze), RD (Red), SG (Silver Granite), V (Ivory), W (White)

<b>A</b> Almond	<b>B</b> Brown	<b>BK</b> Black	<b>GY</b> Gray	<b>LA</b> Lt. Almond	<b>RB</b> Oil Rubbed Bronze	<b>RD</b> Red	<b>SG</b> Silver Granite
<b>V</b> Ivory	<b>W</b> White						

Project Name:	Prepared By:
Project Number:	Date:
Catalog Number:	Type:

**Wiring Diagrams**

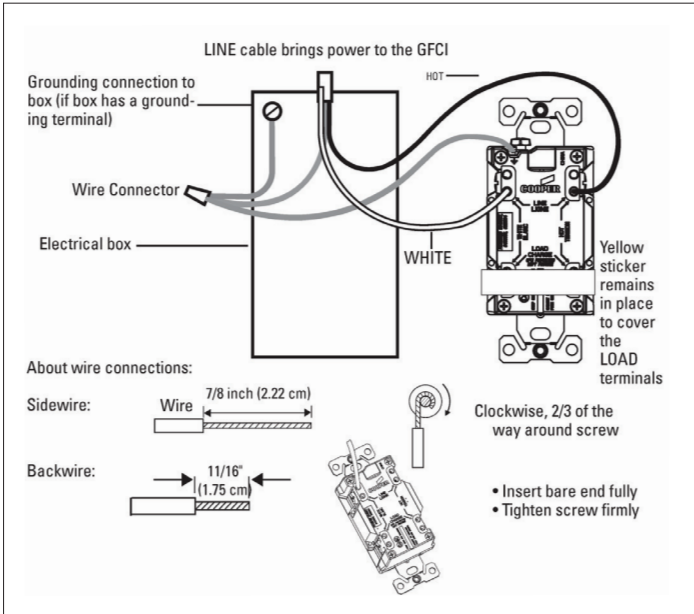


Figure 1. One cable (2 or 3 wires) entering the box

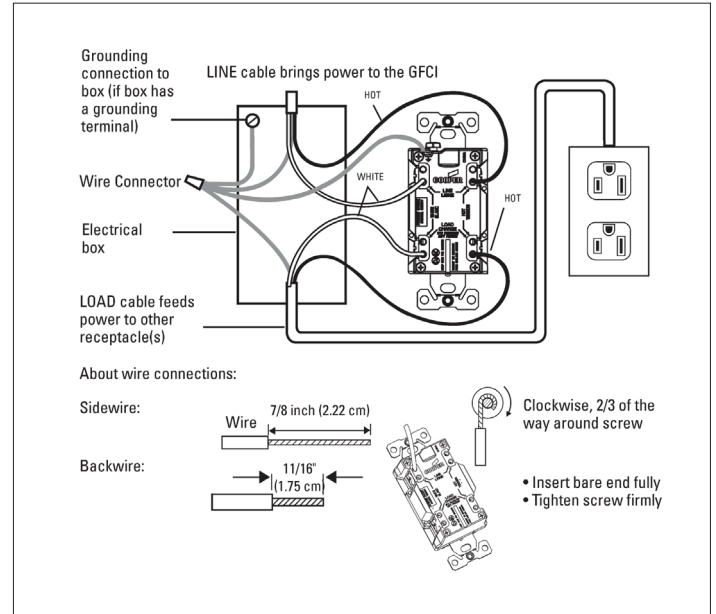


Figure 2. Two cables (4 or 6 wires) entering the box

**Product Dimensions**

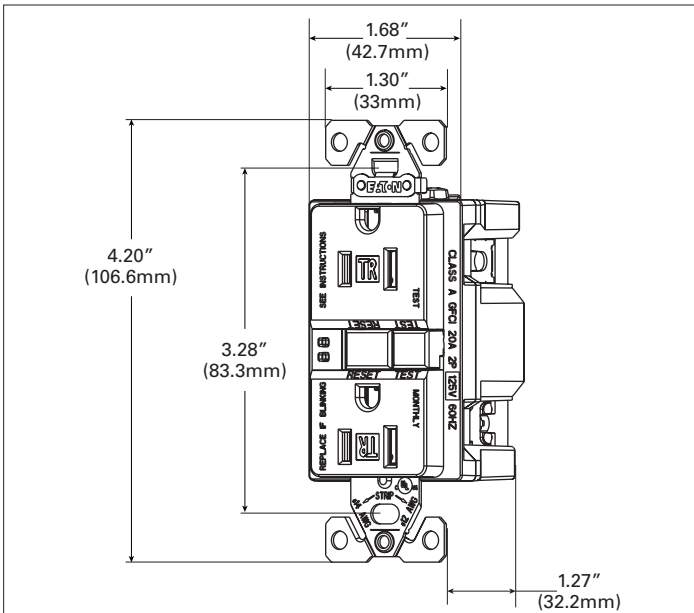


Figure 3. TRSGF15 Line art with dimensions

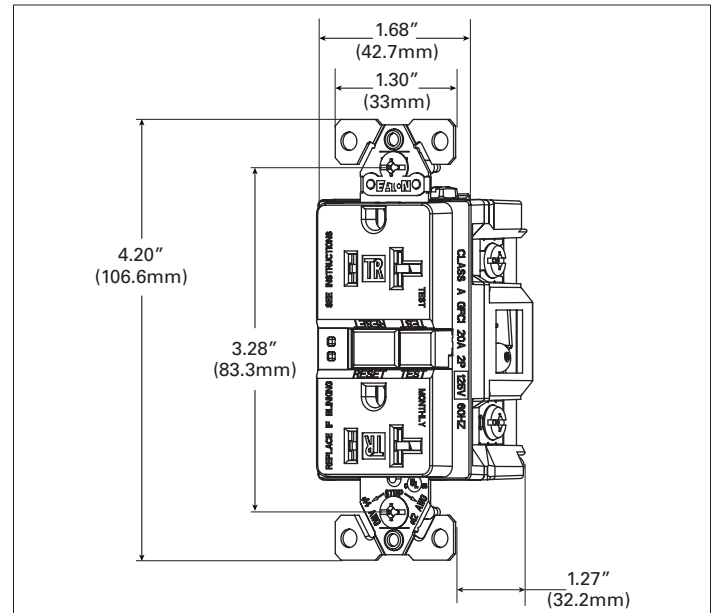


Figure 4. TRSGF20 Line art with dimensions

Technical Data  
Effective March 2016

Project Name:	Prepared By:
Project Number:	Date:
Catalog Number:	Type:

## Certifications & Compliances

Catalog No.				
TRSGFH15	•	•	•	•
TRSGFH20	•	•	•	•

**KEY:**  cULus  NOM  Arrowlink  Build-To-Spec

 Build-To-Spec Customizable Devices

Electrical Sector  
203 Cooper Circle  
Peachtree City, GA 30269  
United States  
Eaton.com  
Eaton.com/arrowhart

Electrical Sector  
Canada Operations  
5925 McLaughlin Road  
Mississauga, Ontario, L5R 1B8  
Canada  
EatonCanada.ca  
Eaton.com/arrowhart

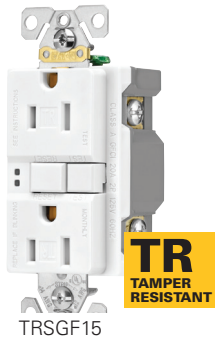
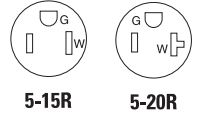
Electrical Sector  
Mexico Operations  
Carr. Tlalnepantla -  
Cuautitlán Km 17.8 s/n  
Col. Villa Jardín esq.  
Cerrada 8 de Mayo  
Cuautitlán, México CP 54800  
México  
Eaton.mx  
Eaton.com/arrowhart

# Tamper resistant self-test GFCI receptacles

Project Name:	Prepared By:
Project Number:	Date:
Catalog Number:	Type:

## Description

2-Pole, 3-Wire Grounding  
 15A, 125V/AC; 20A, 125V/AC  
 NEMA 5-15, 5-20



## Design features

- Performs periodic self-tests to ensure integrity of GFCI protection. If no ground-fault protection is detected, the device will trip, will not reset, and the status indicator light will glow amber
- Meets and exceeds 10 kA short circuit testing and underwriters laboratories (UL) 2006 UL943 safety standards
- Large visual trip indicator light gives quick notification of a tripped or “end of life” condition
- Automatic grounding system eliminates need for bonding jumper in grounded metal enclosure, provides redundant measure of ground continuity where jumper is used
- Ground termination with back wire clamp provides secure wiring and reduces installation time
- Tamper resistant shutters resist the insertion of foreign objects
- Line side terminals are backed out and staked for fast installation
- Horizontal test/reset button alignment provides larger unobstructed area
- Test and reset buttons are color matched to provide superior aesthetics
- Tapered back wire openings handle multiple wire sizes and types for applications up to #10 AWG solid or stranded wire
- When downstream receptacles are wired from load side, a 20 amp feed-through rating offers full protection
- Line-load miswiring protection: GFCI’s will not provide power downstream when wired incorrectly
- Tri-combo head terminal and mounting screws

**Table 1. Tamper Resistant Self-Test GFCI Receptacles, Back & Side Wire**

Catalog No.	Description	Amps	Volts	Color Suffix
□ TRSGF15__	NEMA 5-15R Duplex self-test GFCI, back & side wire	15	125	A, B, BK, GY, LA, RB, SG, V, W
□ TRSGF20__	NEMA 5-20R Duplex self-test GFCI, back & side wire	20	125	A, B, BK, GY, LA, RB, RD, SG, V, W



Project Name:	Prepared By:
Project Number:	Date:
Catalog Number:	Type:

## Applications

GFCI receptacles are designed with the safety of the user in mind. In commercial and industrial areas like public bathrooms, breakrooms and food service areas, the NEC® requires GFCI receptacles. Arrow Hart Self-Test GFCI receptacles are UL Listed and fully compliant with all of the latest UL943 Class A GFCI and UL498 requirements. The Self-Test GFCIs conduct an automatic test periodically to ensure GFCI protection. The device will trip and will not reset if GFCI protection is not available. Additionally, GFCIs incorporate a safety lock-out function to protect against mis-wired line-load connections and GFCI circuitry damage.

**Table 2. Specifications**

Catalog No.	TRSGF
<b>Device Type</b>	<b>Specification grade tamper resistant duplex self-test GFCI, 15A &amp; 20A</b>
<b>Wiring Type</b>	Back & side wire
<b>Testing &amp; Code Compliance</b>	<ul style="list-style-type: none"> <li>cULus Listed to UL498 and UL943, file no. E60120</li> <li>Meets all UL943 (GFCI), UL498 (Receptacles), UL498 and applicable CSA requirements</li> <li>NOM certified</li> </ul>
<b>Environmental Specifications</b>	<b>Flammability:</b> Meets UL 94 requirements; V2 rated <b>Temperature Rating:</b> -35°C to 66°C (-31°F to 150.8°F).
<b>Electrical Specifications</b>	<b>Dielectric Voltage:</b> Withstands 2000V per UL498 <b>Current Interrupting:</b> Yes, at full-rated current <b>Temperature Rise:</b> Max. 30°C (86°F) after 100 cycles of overload @ 150% of rated current (DC) <b>Trip time:</b> 0.025 seconds (Class A) <b>Frequency:</b> 60 Hz; voltage: 125V; amperage: 15A/20A 20A feed through <b>Short circuit testing:</b> Meets and exceeds 10 kA <b>Maximum interrupting capacity:</b> 20 amps
<b>Mechanical Specifications</b>	<b>Terminal Accommodation:</b> #14 - 10 AWG <b>Voltage Ratings:</b> Permanently marked on device

**Table 3. Materials**

Catalog No.	TRSGF
<b>Top Housing</b>	Nylon PC (Oil Rubbed Bronze and Silver Granite colors only)
<b>Bottom Housing</b>	PVC
<b>Strap</b>	0.040" thick steel, zinc plated
<b>Line Contacts</b>	0.030" thick 3-leaf brass
<b>Terminal Screws</b>	#8-32 steel, brass plated, hot neutral screw nickel plated
<b>Ground Screw</b>	#8-32 steel, zinc plated (green)
<b>Terminal Clamps</b>	Brass-plated steel;

**Table 4. Color Ordering Information**

For ordering devices, include Cat. No. followed by the color code: A (Almond), B (Brown), BK (Black), GY (Gray), LA (Lt. Almond), RB (Oil Rubbed Bronze), RD (Red), SG (Silver Granite), V (Ivory), W (White)

<b>A</b> Almond	<b>B</b> Brown	<b>BK</b> Black	<b>GY</b> Gray	<b>LA</b> Lt. Almond	<b>RB</b> Oil Rubbed Bronze	<b>RD</b> Red	<b>SG</b> Silver Granite
<b>V</b> Ivory	<b>W</b> White						

Project Name:	Prepared By:
Project Number:	Date:
Catalog Number:	Type:

**Wiring Diagrams**

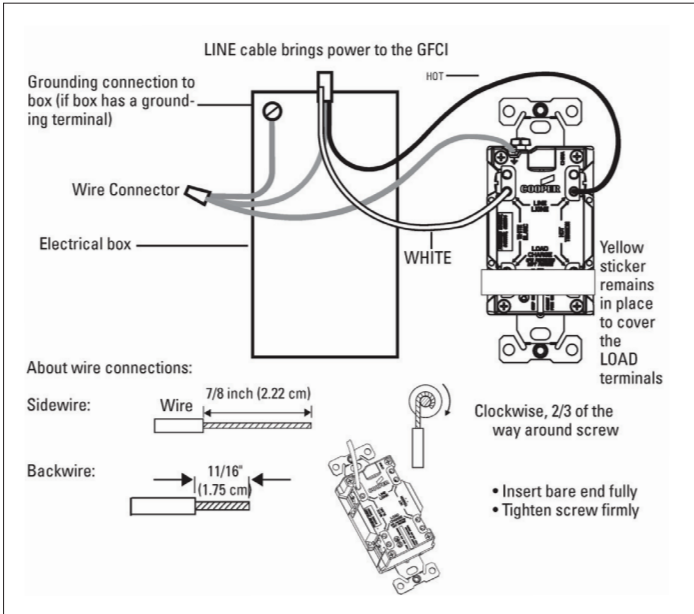


Figure 1. One cable (2 or 3 wires) entering the box

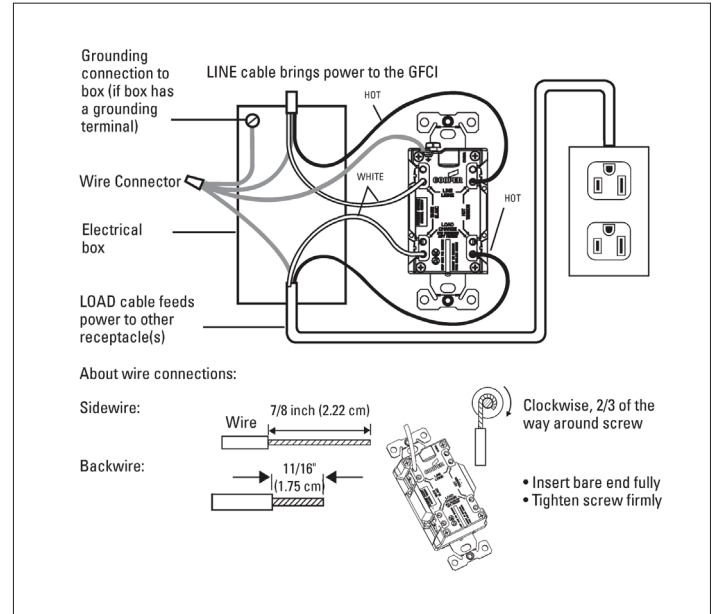


Figure 2. Two cables (4 or 6 wires) entering the box

**Product Dimensions**

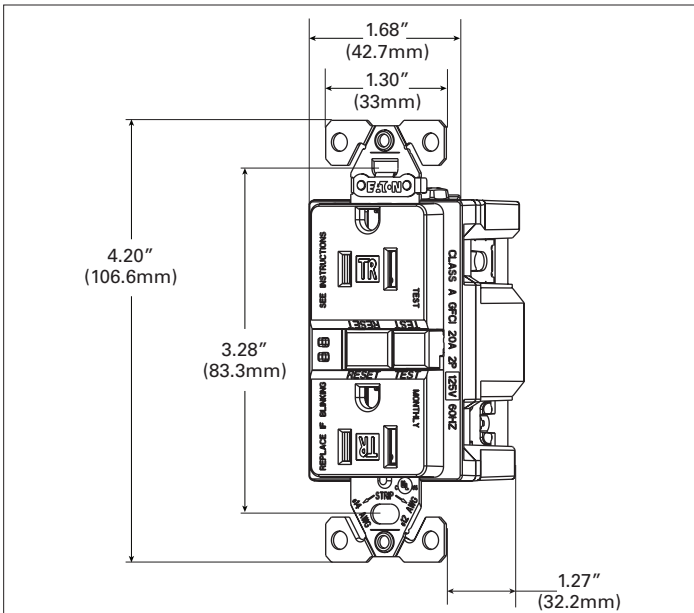


Figure 3. TRSGF15 Line art with dimensions

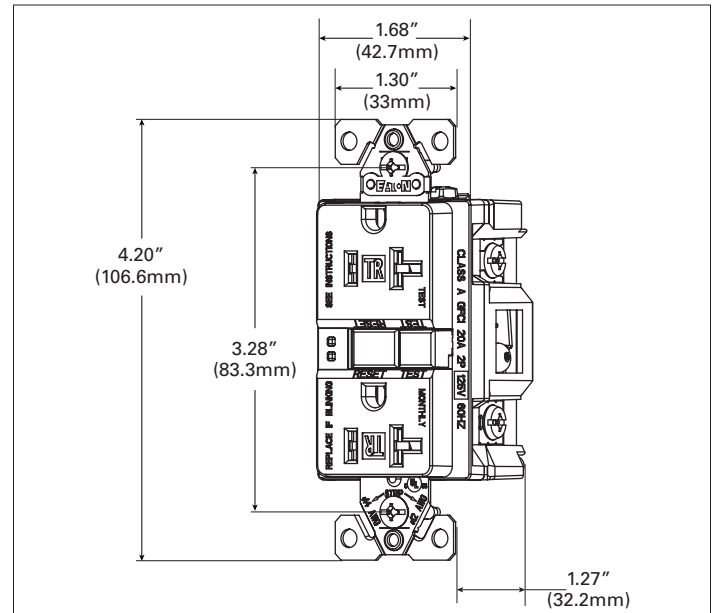






Figure 4. TRSGF20 Line art with dimensions

Technical Data  
Effective March 2016

Project Name:	Prepared By:
Project Number:	Date:
Catalog Number:	Type:

## Certifications & Compliances

Catalog No.				
TRSGFH15	•	•	•	•
TRSGFH20	•	•	•	•

**KEY:**  cULus  NOM  Arrowlink  Build-To-Spec

 Build-To-Spec Customizable Devices

Electrical Sector  
203 Cooper Circle  
Peachtree City, GA 30269  
United States  
Eaton.com  
Eaton.com/arrowhart

Electrical Sector  
Canada Operations  
5925 McLaughlin Road  
Mississauga, Ontario, L5R 1B8  
Canada  
EatonCanada.ca  
Eaton.com/arrowhart

Electrical Sector  
Mexico Operations  
Carr. Tlalnepantla -  
Cuautitlán Km 17.8 s/n  
Col. Villa Jardín esq.  
Cerrada 8 de Mayo  
Cuautitlán, México CP 54800  
México  
Eaton.mx  
Eaton.com/arrowhart