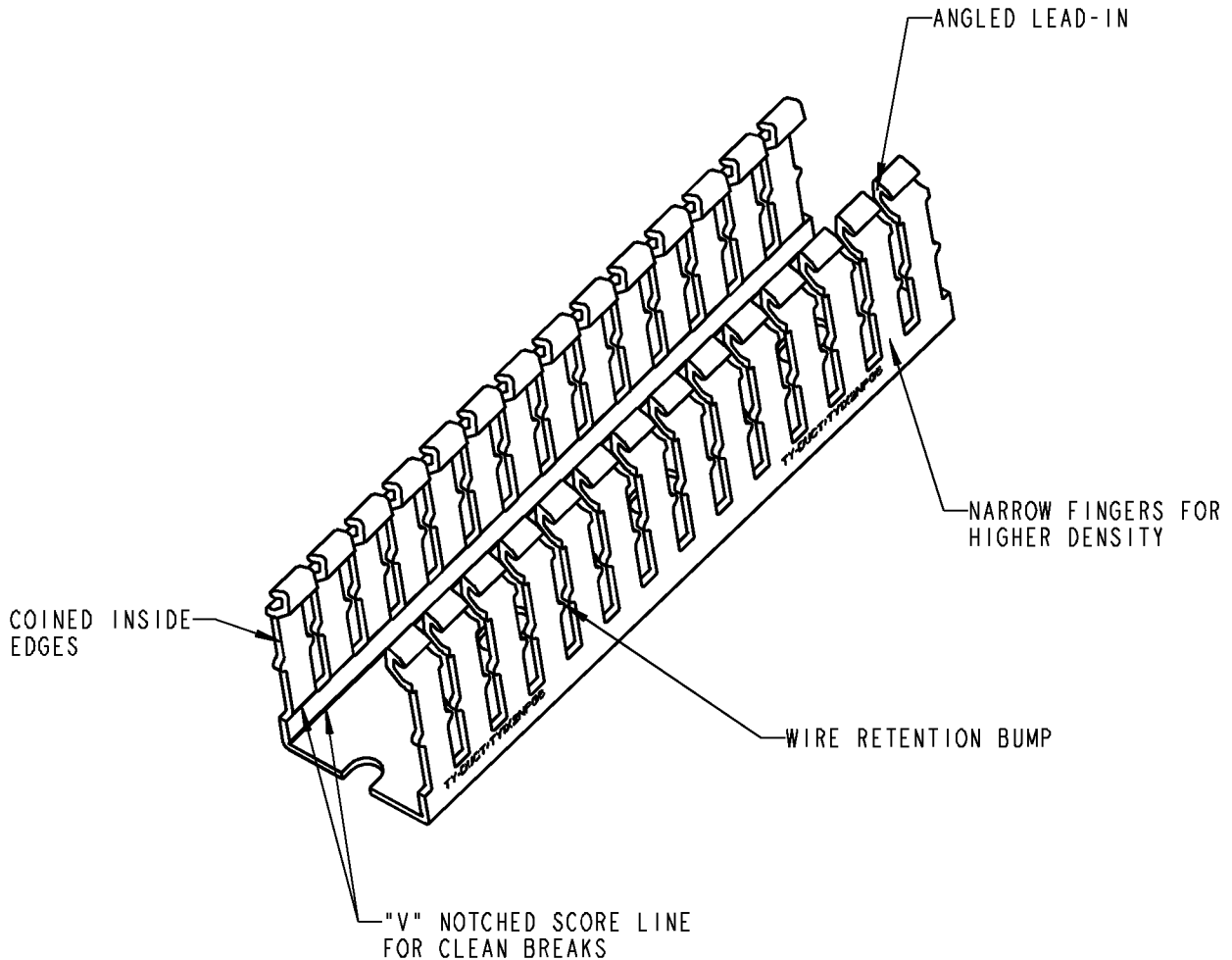


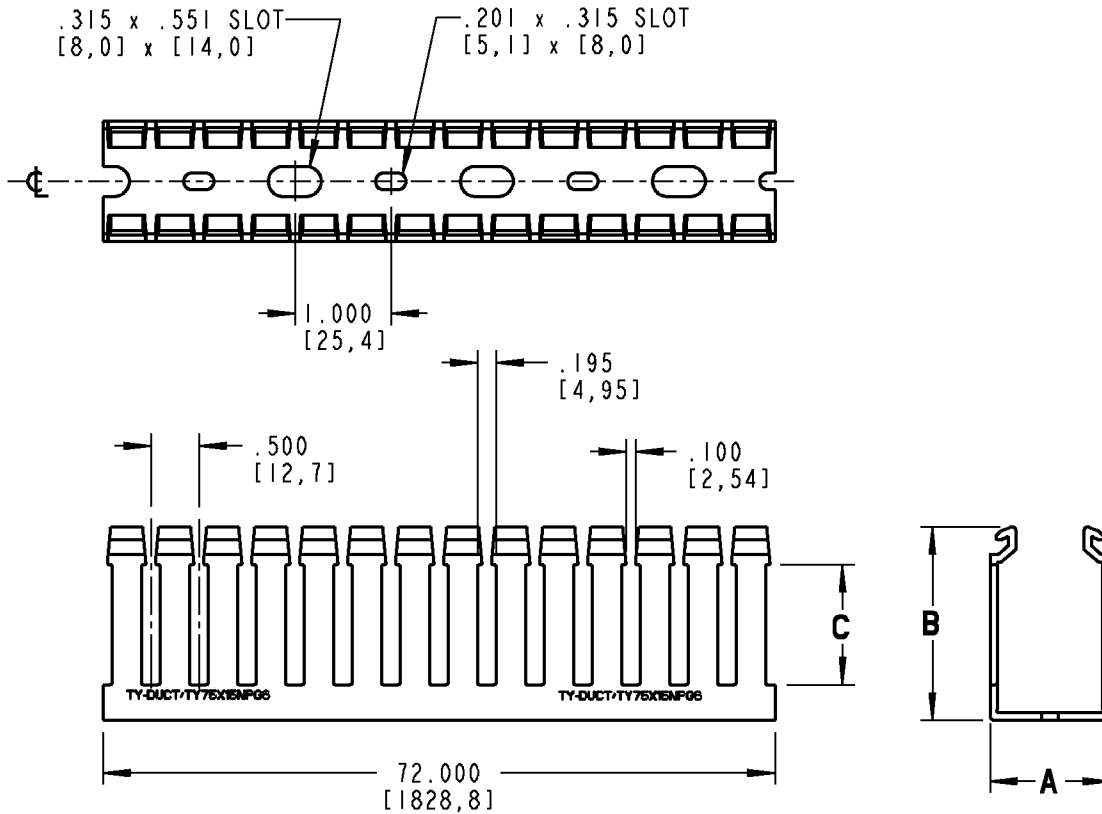


Ty-Duct

**NOTES:**

1. MATERIAL: RIGID PVC
2. TEMPERATURE RATING: -40°F [-40°C] TO 122°F [50°C]
3. FLAMMABILITY RATING: UL94V-0
4. NORTH AMERICAN AND DIN STYLE MOUNTING HOLES
5. FLUSH MOUNT COVER DESIGN. COVER MOUNTS FLUSH WITH SIDE WALLS

| | | | | | |
|---|---|--|----------------------------|----------------------|----------------------------------|
| GENERAL NOTES | | Thomas & Betts <small>www.tnb.com</small> | | | |
| 1. ALL DIMENSIONS ARE FOR REFERENCE ONLY. 2. DIMENSIONS IN BRACKETS [] ARE IN METRIC UNITS. | | | | | |
| REVISIONS | | | | | |
| 3 | SEE ERN 2006994 FOR APPROVAL SIGNATURES & RELEASE DATE. PROJECT NO: FD55400 | ORIGINAL PROJECT NO / (ERN NO) FD55400 / (2005724) | SHEET NO: 1 OF 7 | REV. NO: 3 | DRAWING NO: WSD-000181 |



| CATALOG NO. | A (WIDTH) | B (HEIGHT) | C | RETENTION FEATURE | COVER CATALOG NO. |
|-------------|---------------|----------------|---------------|----------------------|----------------------|
| TY75X15NP*6 | .940 [23,88] | 1.500 [38,1] | .830 [21,08] | --- | TY75CP*6 |
| TYIX1NP*6 | 1.250 [31,75] | 1.025 [26,04] | .430 [10,92] | --- | TYICP*6 |
| TYIX15NP*6 | | 1.500 [38,1] | .830 [21,08] | --- | |
| TYIX2NP*6 | | 2.014 [51,16] | 1.249 [31,72] | D | |
| TYIX3NP*6 | | 3.000 [76,2] | 2.175 [55,25] | F | |
| TYIX4NP*6 | | 4.317 [109,65] | 3.487 [88,57] | F | |

* = COLOR CODE

B = BLACK G = GRAY I = INTRINSIC BLUE W = WHITE

Thomas & Betts
www.tnb.com

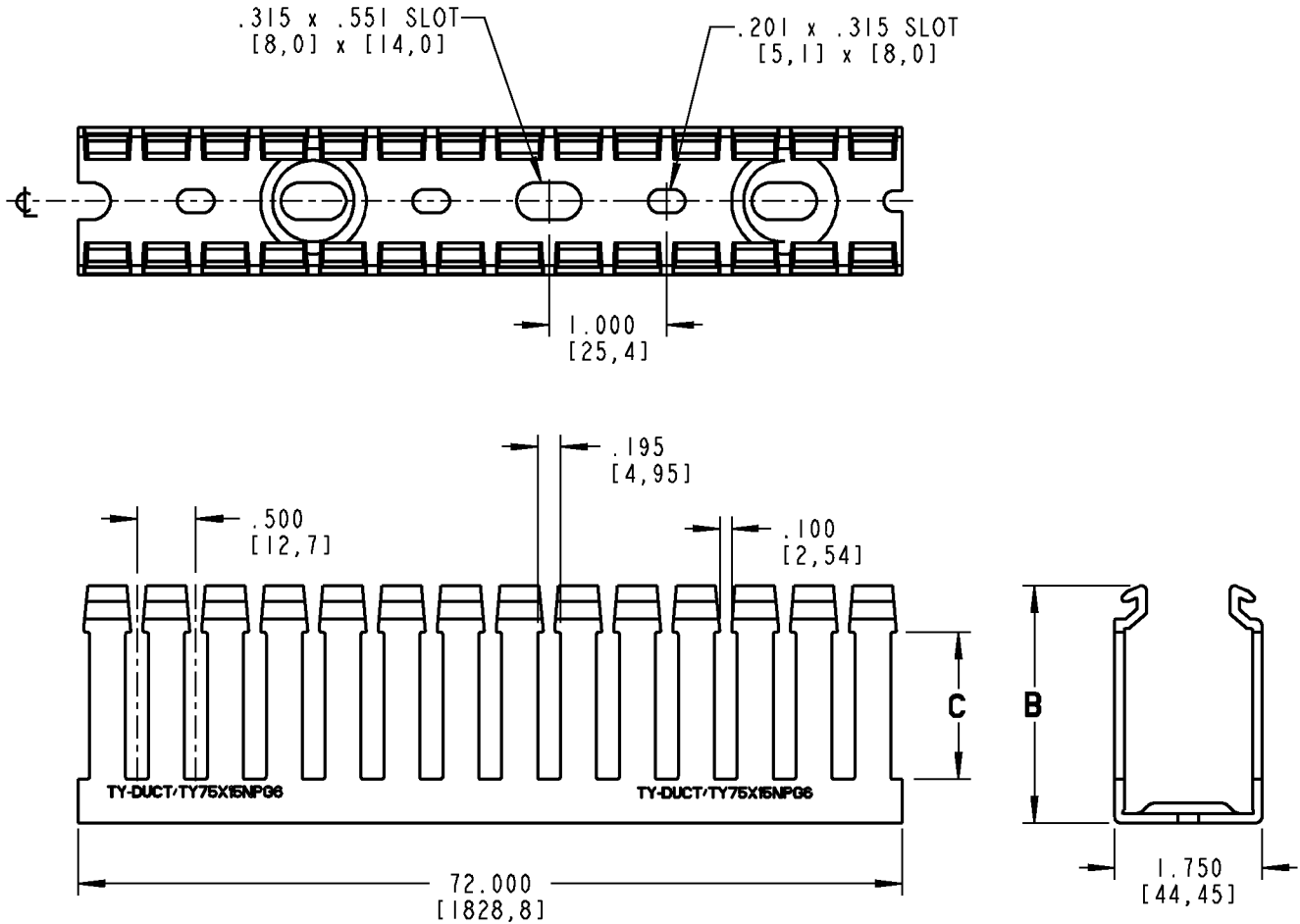
DESCRIPTION:

NARROW SLOT WIRING DUCT

SHEET NO:
2 OF 7

REV. NO:
3

DRAWING NO:
WSD-000181



| CATALOG NO. | B (HEIGHT) | C | RETENTION FEATURE | COVER CATALOG NO. |
|-------------|----------------|---------------|-------------------|-------------------|
| TY15X1NP*6 | 1.025 [26,04] | .430 [10,92] | --- | TY15CP*6 |
| TY15X15NP*6 | 1.500 [38,1] | .830 [21,08] | --- | |
| TY15X2NP*6 | 2.014 [51,16] | 1.249 [31,72] | D | |
| TY15X3NP*6 | 3.000 [76,2] | 2.175 [55,25] | F | |
| TY15X4NP*6 | 4.317 [109,65] | 3.487 [88,57] | F | |

* = COLOR CODE

B = BLACK G = GRAY I = INTRINSIC BLUE W = WHITE

Thomas & Betts
www.tnb.com

DESCRIPTION:

NARROW SLOT WIRING DUCT

SHEET NO:

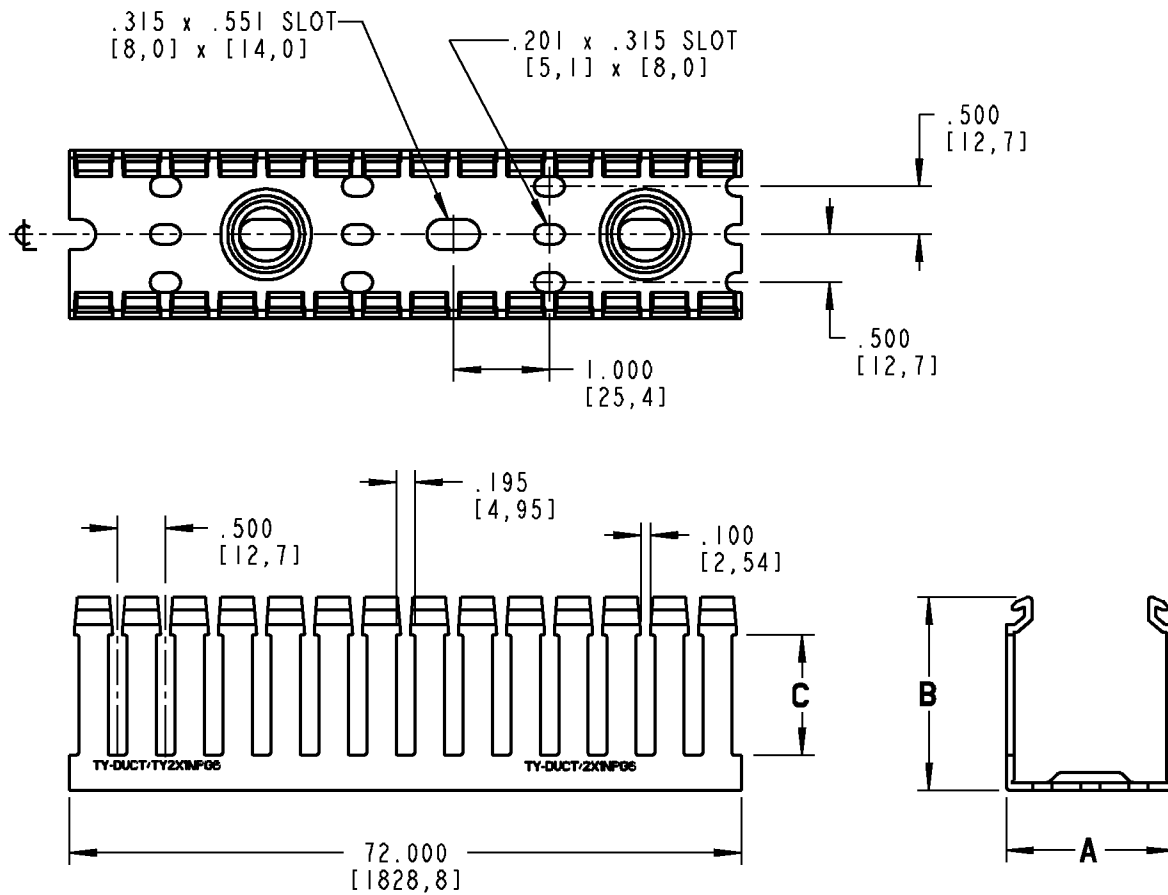
3 OF 7

REV. NO:

3

DRAWING NO:

WSD-000181



| CATALOG NO. | A (WIDTH) | B (HEIGHT) | C | RETENTION FEATURE | COVER CATALOG NO. |
|-------------|---------------|----------------|----------------|----------------------|----------------------|
| TY2X1NP*6 | 2.250 [57,15] | 1.046 [26,57] | .430 [10,92] | --- | TY2CP*6 |
| TY2X15NP*6 | | 1.521 [38,63] | .830 [21,08] | --- | |
| TY2X2NP*6 | | 2.034 [51,66] | 1.249 [31,72] | D | |
| TY2X3NP*6 | | 3.000 [76,2] | 2.175 [55,25] | F | |
| TY2X4NP*6 | | 4.332 [110,03] | 3.487 [88,57] | F | |
| TY2X5NP*6 | | 5.020 [127,51] | 4.161 [105,69] | F | |
| TY25X2NP*6 | 2.750 [69,85] | 2.034 [51,66] | 1.249 [31,72] | D | TY25CP*6 |
| TY25X3NP*6 | | 3.000 [76,2] | 2.175 [55,25] | F | |
| TY25X4NP*6 | | 4.332 [110,03] | 3.487 [88,57] | F | |

* = COLOR CODE

B = BLACK G = GRAY I = INTRINSIC BLUE W = WHITE

Thomas & Betts
www.tnb.com

DESCRIPTION:

NARROW SLOT WIRING DUCT

SHEET NO:

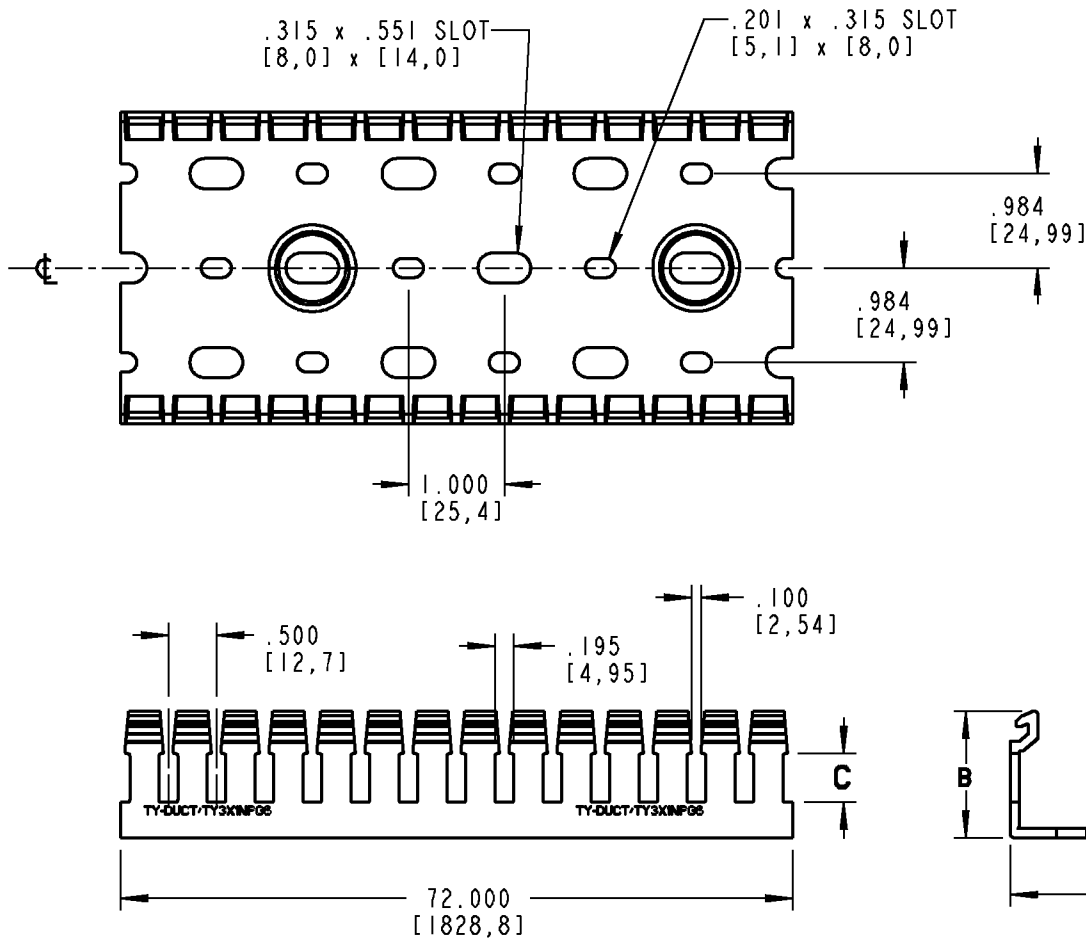
4 OF 7

REV. NO:

3

DRAWING NO:

WSD-000181



| CATALOG NO. | A (WIDTH) | B (HEIGHT) | C | RETENTION FEATURE | COVER CATALOG NO. |
|-------------|----------------|----------------|----------------|----------------------|----------------------|
| TY3X1NP*6 | 3.250 [82,55] | 1.055 [26,8] | .430 [10,92] | --- | TY3CP*6 |
| TY3X2NP*6 | | 2.081 [52,86] | 1.249 [31,72] | D | |
| TY3X3NP*6 | | 3.056 [77,62] | 2.175 [55,25] | F | |
| TY3X4NP*6 | | 4.387 [111,43] | 3.487 [88,57] | F | |
| TY3X5NP*6 | | 5.061 [128,55] | 4.161 [105,69] | F | |
| TY4X2NP*6 | 4.250 [107,95] | 2.081 [52,86] | 1.249 [31,72] | --- | TY4CP*6 |
| TY4X3NP*6 | | 3.056 [77,62] | 2.175 [55,25] | D | |
| TY4X4NP*6 | | 4.387 [111,43] | 4.161 [105,69] | F | |
| TY4X5NP*6 | | 5.061 [128,55] | 3.487 [88,57] | F | |
| TY6X4NP*6 | 6.250 [158,75] | 4.387 [111,43] | 3.987 [101,27] | F | TY6CP*6 |

* = COLOR CODE

B = BLACK G = GRAY I = INTRINSIC BLUE W = WHITE

Thomas & Betts
www.tnb.com

DESCRIPTION:

NARROW SLOT WIRING DUCT

SHEET NO:
5 OF 7

REV. NO:
3

DRAWING NO:
WSD-000181

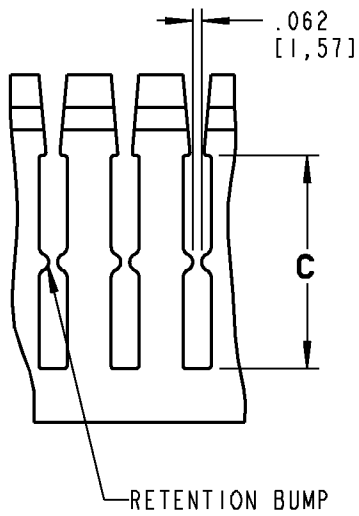


FIG. D

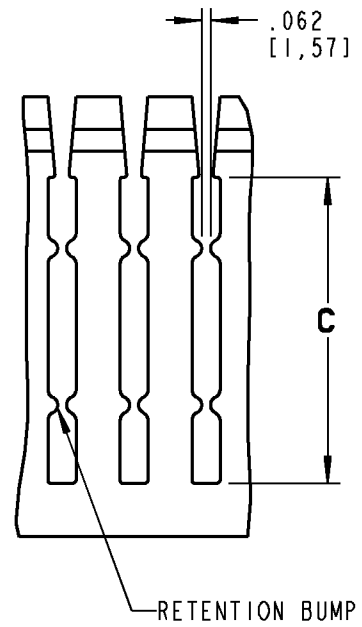


FIG. F

| | | |
|---|----------------------|----------------------------------|
| Thomas & Betts <small>www.tnb.com</small> | | |
| DESCRIPTION: NARROW SLOT WIRING DUCT | | |
| SHEET NO: 6 OF 7 | REV. NO: 3 | DRAWING NO: WSD-000181 |

| NOMINAL DUCT SIZE | AREA SQUARE | ELECTRICAL | | | | | | | | | | | | DATA CABLE | | | | | |
|----------------------|----------------|------------|------|--------|------|--------|------|--------|------|--------|------|--------|------|------------|-----|--------|-----------------|-------|----------------|
| | | 8 AWG | | 10 AWG | | 12 AWG | | 14 AWG | | 16 AWG | | 18 AWG | | 22 AWG | | 24 AWG | | | |
| | | Ø.216 | THHN | Ø.153 | THHN | Ø.122 | THHN | Ø.105 | THHN | Ø.096 | THHN | Ø.084 | THHN | Ø.085 | MTW | Ø.217 | UTP/CM CAT5E | Ø.250 | UTP/CM CAT6 |
| 1.00 x 1.00 | 1.000 | 6 | 12 | 19 | 11 | 26 | 15 | 10 | 31 | 18 | 40 | 22 | 68 | 5 | 2 | | | | |
| 1.00 x 2.00 | 2.000 | 12 | 24 | 38 | 23 | 52 | 30 | 21 | 62 | 37 | 81 | 45 | 135 | 9 | 3 | | | | |
| 1.00 x 3.00 | 3.000 | 18 | 37 | 58 | 34 | 78 | 44 | 31 | 93 | 55 | 121 | 67 | 203 | 18 | 5 | | | | |
| 1.00 x 4.00 | 4.000 | 24 | 49 | 77 | 46 | 104 | 59 | 42 | 124 | 73 | 162 | 90 | 270 | 24 | 6 | | | | |
| 1.50 x 1.00 | 1.500 | 9 | 18 | 29 | 17 | 39 | 22 | 16 | 47 | 27 | 61 | 34 | 101 | 7 | 2 | | | | |
| 1.50 x 1.50 | 2.250 | 14 | 27 | 43 | 26 | 58 | 33 | 24 | 70 | 41 | 91 | 50 | 152 | 14 | 4 | | | | |
| 1.50 x 2.00 | 3.000 | 18 | 37 | 58 | 34 | 78 | 44 | 31 | 93 | 55 | 121 | 67 | 203 | 18 | 5 | | | | |
| 1.50 x 3.00 | 4.500 | 28 | 55 | 86 | 52 | 117 | 67 | 47 | 140 | 82 | 182 | 101 | 304 | 27 | 7 | | | | |
| 1.50 x 4.00 | 6.000 | 37 | 73 | 115 | 69 | 155 | 89 | 63 | 186 | 110 | 243 | 134 | 406 | 36 | 10 | | | | |
| 2.00 x 1.00 | 2.000 | 12 | 24 | 38 | 23 | 52 | 30 | 21 | 62 | 37 | 81 | 45 | 135 | 12 | 3 | | | | |
| 2.00 x 1.50 | 3.000 | 18 | 37 | 58 | 34 | 78 | 44 | 31 | 93 | 55 | 121 | 67 | 203 | 18 | 5 | | | | |
| 2.00 x 2.00 | 4.000 | 24 | 49 | 77 | 46 | 104 | 59 | 42 | 124 | 73 | 162 | 90 | 270 | 24 | 6 | | | | |
| 2.00 x 3.00 | 6.000 | 37 | 73 | 115 | 69 | 155 | 89 | 63 | 186 | 110 | 243 | 134 | 406 | 36 | 10 | | | | |
| 2.00 x 4.00 | 8.000 | 49 | 98 | 154 | 92 | 207 | 118 | 84 | 248 | 146 | 324 | 179 | 541 | 49 | 13 | | | | |
| 2.00 x 5.00 | 10.000 | 61 | 122 | 192 | 114 | 259 | 148 | 105 | 310 | 183 | 405 | 224 | 676 | 61 | 16 | | | | |
| 2.50 x 2.00 | 5.000 | 31 | 61 | 96 | 57 | 130 | 74 | 52 | 155 | 91 | 202 | 112 | 338 | 30 | 8 | | | | |
| 2.50 x 3.00 | 7.500 | 46 | 92 | 144 | 86 | 194 | 111 | 79 | 233 | 137 | 304 | 168 | 507 | 46 | 12 | | | | |
| 2.50 x 4.00 | 10.000 | 61 | 122 | 192 | 114 | 259 | 148 | 105 | 310 | 183 | 405 | 224 | 676 | 61 | 16 | | | | |
| 3.00 x 1.00 | 3.000 | 18 | 37 | 58 | 34 | 78 | 44 | 31 | 93 | 55 | 121 | 67 | 203 | 18 | 5 | | | | |
| 3.00 x 2.00 | 6.000 | 37 | 73 | 115 | 69 | 155 | 89 | 63 | 186 | 110 | 243 | 134 | 406 | 36 | 10 | | | | |
| 3.00 x 3.00 | 9.000 | 55 | 110 | 173 | 103 | 233 | 133 | 94 | 279 | 165 | 364 | 201 | 609 | 55 | 14 | | | | |
| 3.00 x 4.00 | 12.000 | 73 | 146 | 230 | 137 | 311 | 177 | 126 | 372 | 219 | 486 | 269 | 811 | 73 | 19 | | | | |
| 4.00 x 4.00 | 16.000 | 98 | 195 | 307 | 183 | 415 | 237 | 168 | 496 | 293 | 648 | 358 | 1082 | 97 | 26 | | | | |
| 4.00 x 5.00 | 20.000 | 122 | 244 | 384 | 229 | 518 | 296 | 210 | 620 | 366 | 810 | 448 | 1352 | 121 | 32 | | | | |
| 6.00 x 4.00 | 24.000 | 144 | 293 | 461 | 275 | 622 | 355 | 252 | 744 | 439 | 972 | 537 | 1623 | 146 | 39 | | | | |

NOTE: WIRE FILL IS BASED ON 50% FILL OF DUCT AREA



DESCRIPTION:

NARROW SLOT WIRING DUCT

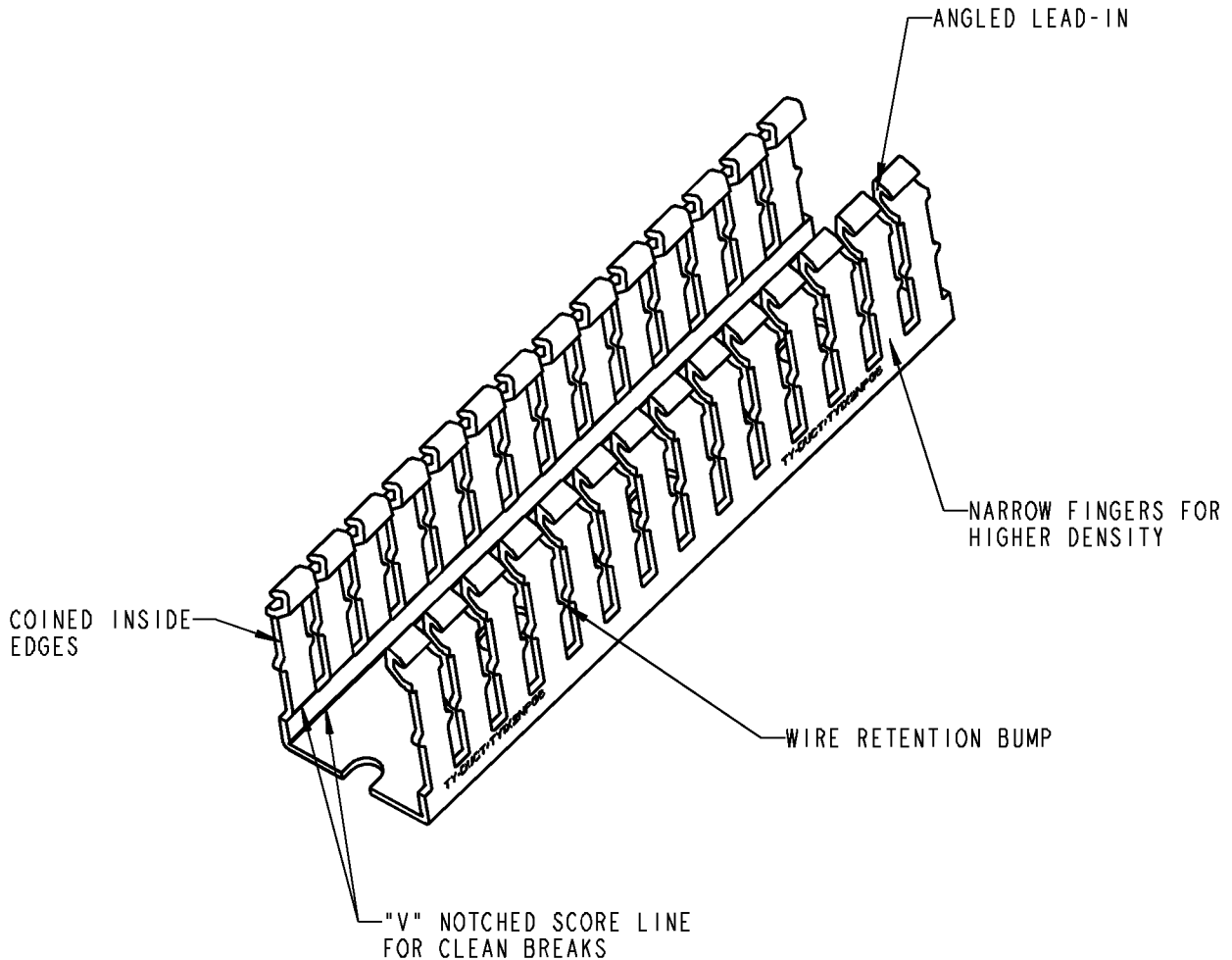
SHEET NO:
7 OF 7

REV. NO:
3

DRAWING NO:
WSD-000181



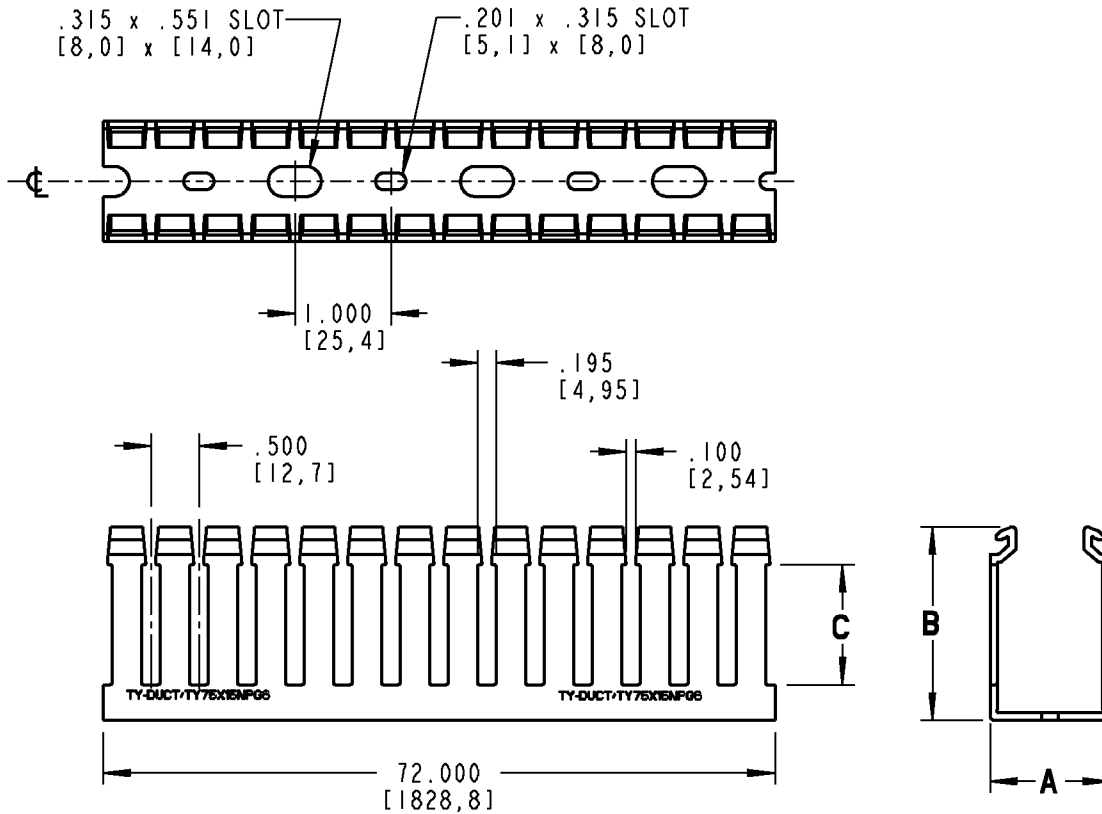
Ty-Duct



NOTES:

1. MATERIAL: RIGID PVC
2. TEMPERATURE RATING: -40°F [-40°C] TO 122°F [50°C]
3. FLAMMABILITY RATING: UL94V-0
4. NORTH AMERICAN AND DIN STYLE MOUNTING HOLES
5. FLUSH MOUNT COVER DESIGN. COVER MOUNTS FLUSH WITH SIDE WALLS

| | | | | | |
|---|--|--|----------------------------|----------------------|----------------------------------|
| GENERAL NOTES | | Thomas & Betts <small>www.tnb.com</small> | | | |
| 1. ALL DIMENSIONS ARE FOR REFERENCE ONLY. 2. DIMENSIONS IN BRACKETS [] ARE IN METRIC UNITS. | | | | | |
| REVISIONS | | | | | |
| 3 | SEE ERN 2006994 FOR APPROVAL SIGNATURES & RELEASE DATE. PROJECT NO: FD55400 | ORIGINAL PROJECT NO / (ERN NO) FD55400 / (2005724) | SHEET NO: 1 OF 7 | REV. NO: 3 | DRAWING NO: WSD-000181 |



| CATALOG NO. | A (WIDTH) | B (HEIGHT) | C | RETENTION FEATURE | COVER CATALOG NO. |
|-------------|---------------|----------------|---------------|----------------------|----------------------|
| TY75X15NP*6 | .940 [23,88] | 1.500 [38,1] | .830 [21,08] | --- | TY75CP*6 |
| TYIX1NP*6 | 1.250 [31,75] | 1.025 [26,04] | .430 [10,92] | --- | TYICP*6 |
| TYIX15NP*6 | | 1.500 [38,1] | .830 [21,08] | --- | |
| TYIX2NP*6 | | 2.014 [51,16] | 1.249 [31,72] | D | |
| TYIX3NP*6 | | 3.000 [76,2] | 2.175 [55,25] | F | |
| TYIX4NP*6 | | 4.317 [109,65] | 3.487 [88,57] | F | |

* = COLOR CODE

B = BLACK G = GRAY I = INTRINSIC BLUE W = WHITE

Thomas & Betts
www.tnb.com

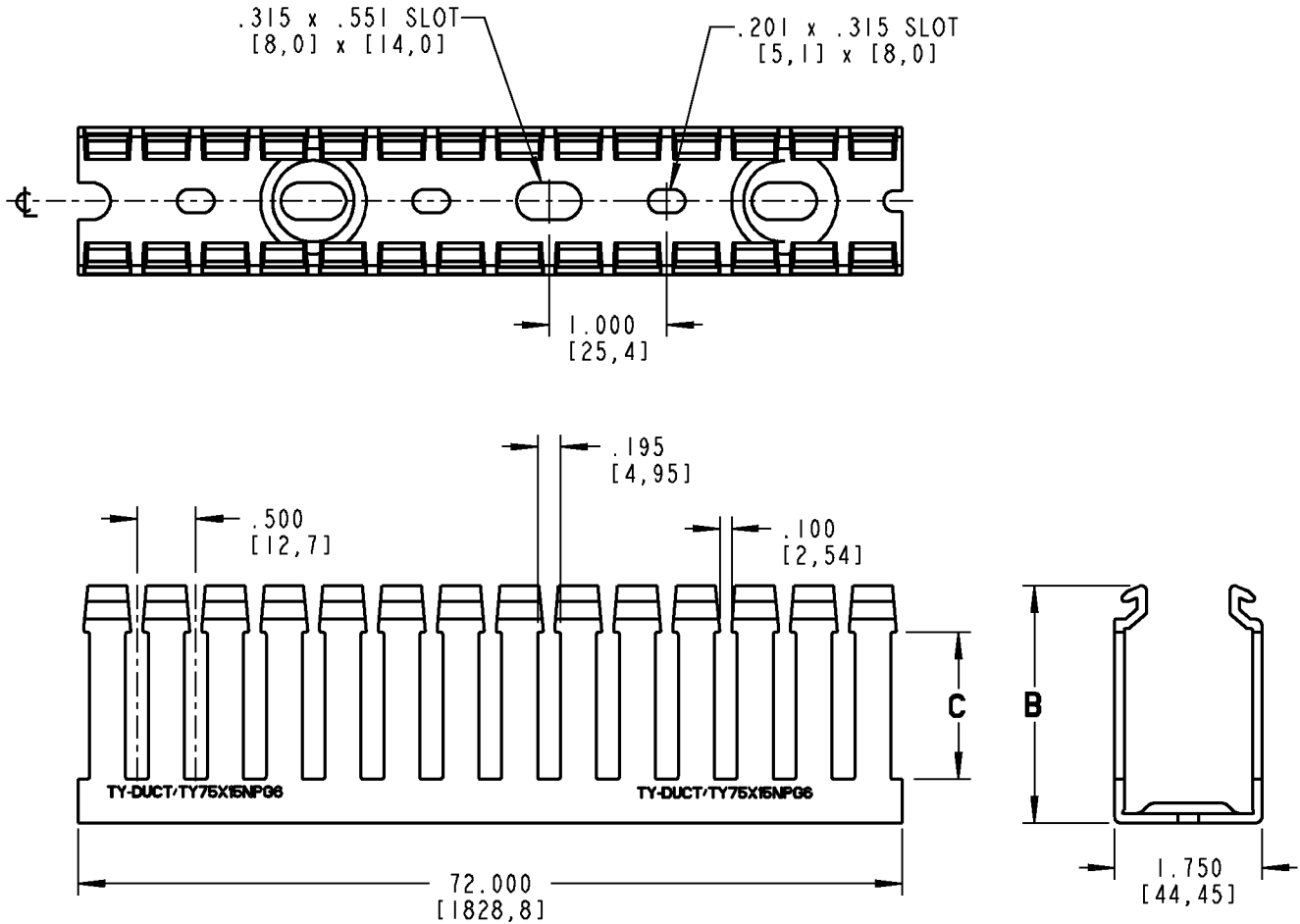
DESCRIPTION:

NARROW SLOT WIRING DUCT

SHEET NO:
2 OF 7

REV. NO:
3

DRAWING NO:
WSD-000181



| CATALOG NO. | B (HEIGHT) | C | RETENTION FEATURE | COVER CATALOG NO. |
|-------------|----------------|---------------|-------------------|-------------------|
| TY15X1NP*6 | 1.025 [26,04] | .430 [10,92] | --- | TY15CP*6 |
| TY15X15NP*6 | 1.500 [38,1] | .830 [21,08] | --- | |
| TY15X2NP*6 | 2.014 [51,16] | 1.249 [31,72] | D | |
| TY15X3NP*6 | 3.000 [76,2] | 2.175 [55,25] | F | |
| TY15X4NP*6 | 4.317 [109,65] | 3.487 [88,57] | F | |

* = COLOR CODE

B = BLACK G = GRAY I = INTRINSIC BLUE W = WHITE

Thomas & Betts
www.tnb.com

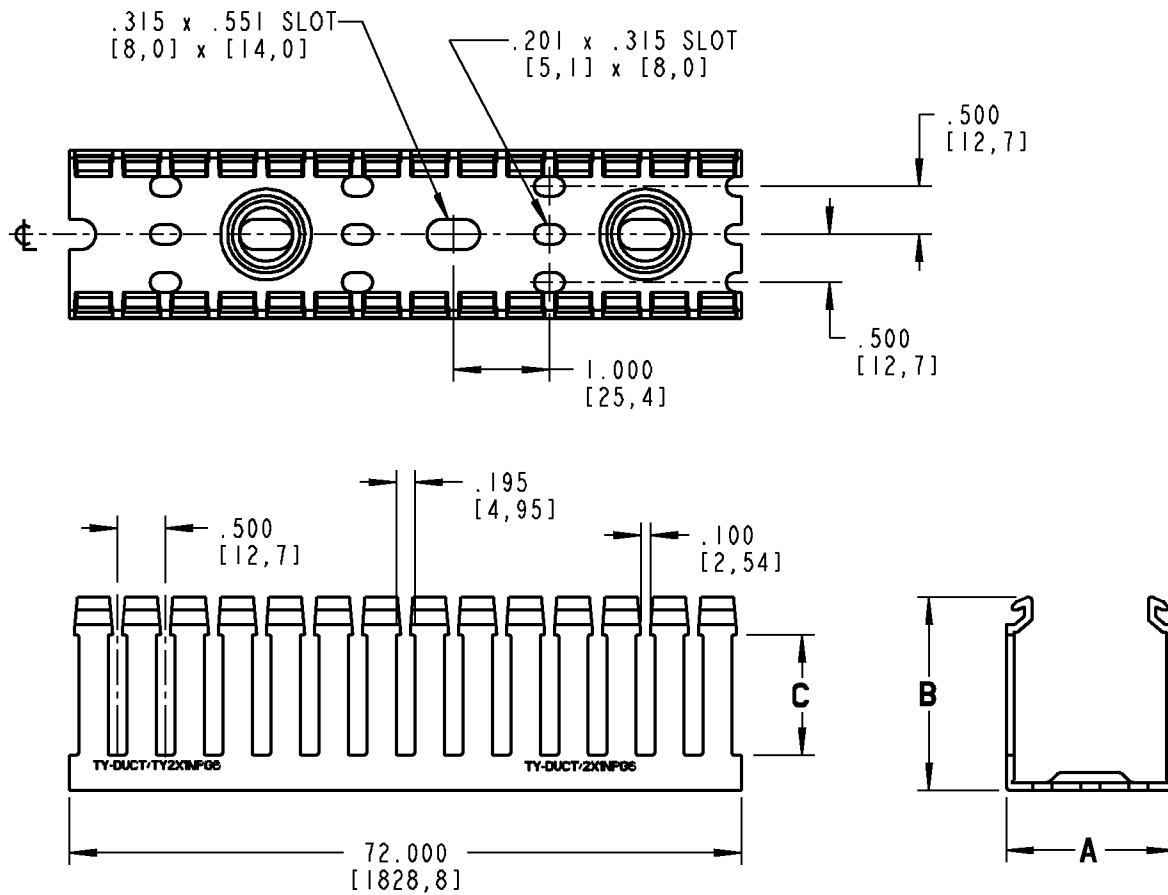
DESCRIPTION:

NARROW SLOT WIRING DUCT

SHEET NO:
3 OF 7

REV. NO:
3

DRAWING NO:
WSD-000181



| CATALOG NO. | A (WIDTH) | B (HEIGHT) | C | RETENTION FEATURE | COVER CATALOG NO. |
|-------------|---------------|----------------|----------------|----------------------|----------------------|
| TY2X1NP*6 | 2.250 [57,15] | 1.046 [26,57] | .430 [10,92] | --- | TY2CP*6 |
| TY2X15NP*6 | | 1.521 [38,63] | .830 [21,08] | --- | |
| TY2X2NP*6 | | 2.034 [51,66] | 1.249 [31,72] | D | |
| TY2X3NP*6 | | 3.000 [76,2] | 2.175 [55,25] | F | |
| TY2X4NP*6 | | 4.332 [110,03] | 3.487 [88,57] | F | |
| TY2X5NP*6 | | 5.020 [127,51] | 4.161 [105,69] | F | |
| TY25X2NP*6 | 2.750 [69,85] | 2.034 [51,66] | 1.249 [31,72] | D | TY25CP*6 |
| TY25X3NP*6 | | 3.000 [76,2] | 2.175 [55,25] | F | |
| TY25X4NP*6 | | 4.332 [110,03] | 3.487 [88,57] | F | |

* = COLOR CODE

B = BLACK G = GRAY I = INTRINSIC BLUE W = WHITE

Thomas & Betts
www.tnb.com

DESCRIPTION:

NARROW SLOT WIRING DUCT

SHEET NO:

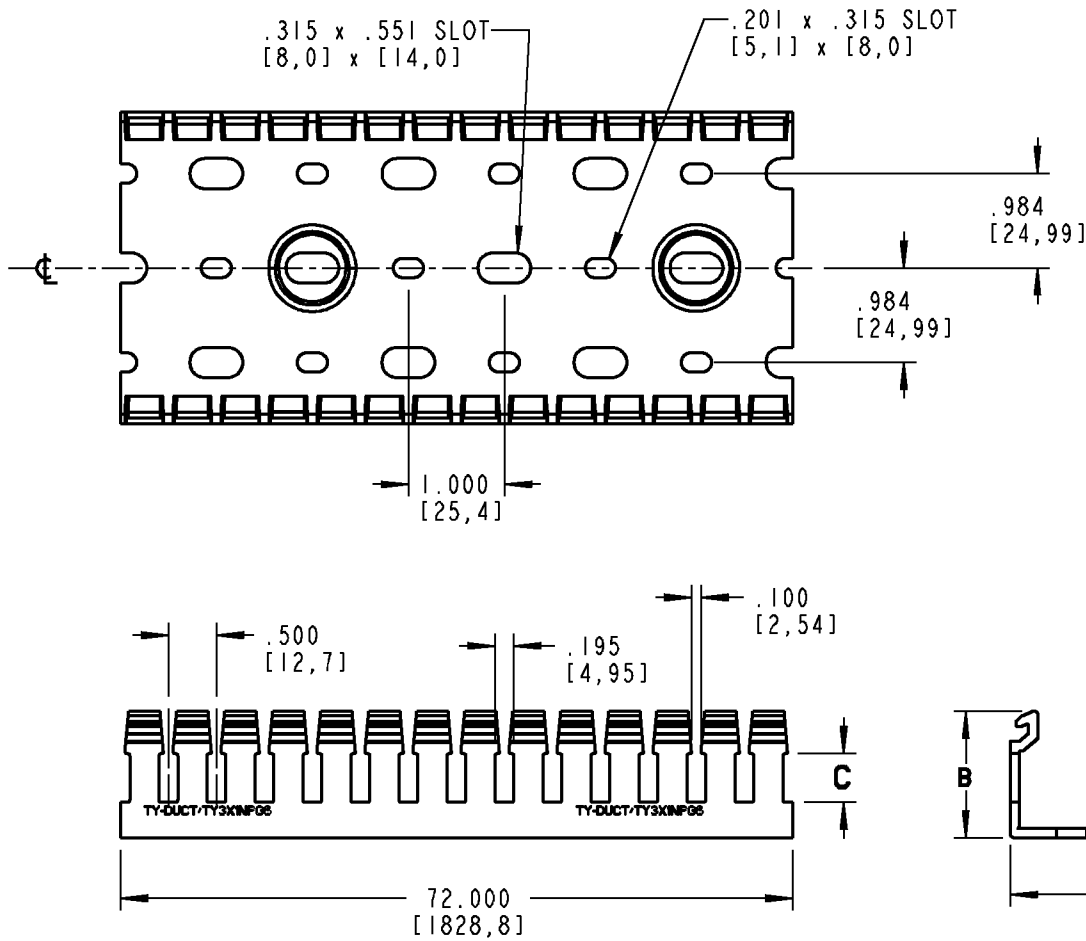
4 OF 7

REV. NO:

3

DRAWING NO:

WSD-000181



| CATALOG NO. | A (WIDTH) | B (HEIGHT) | C | RETENTION FEATURE | COVER CATALOG NO. |
|-------------|----------------|----------------|----------------|----------------------|----------------------|
| TY3X1NP*6 | 3.250 [82,55] | 1.055 [26,8] | .430 [10,92] | --- | TY3CP*6 |
| TY3X2NP*6 | | 2.081 [52,86] | 1.249 [31,72] | D | |
| TY3X3NP*6 | | 3.056 [77,62] | 2.175 [55,25] | F | |
| TY3X4NP*6 | | 4.387 [111,43] | 3.487 [88,57] | F | |
| TY3X5NP*6 | | 5.061 [128,55] | 4.161 [105,69] | F | |
| TY4X2NP*6 | 4.250 [107,95] | 2.081 [52,86] | 1.249 [31,72] | --- | TY4CP*6 |
| TY4X3NP*6 | | 3.056 [77,62] | 2.175 [55,25] | D | |
| TY4X4NP*6 | | 4.387 [111,43] | 4.161 [105,69] | F | |
| TY4X5NP*6 | | 5.061 [128,55] | 3.487 [88,57] | F | |
| TY6X4NP*6 | 6.250 [158,75] | 4.387 [111,43] | 3.987 [101,27] | F | TY6CP*6 |

* = COLOR CODE

B = BLACK G = GRAY I = INTRINSIC BLUE W = WHITE

Thomas & Betts
www.tnb.com

DESCRIPTION:

NARROW SLOT WIRING DUCT

SHEET NO:
5 OF 7

REV. NO:
3

DRAWING NO:
WSD-000181

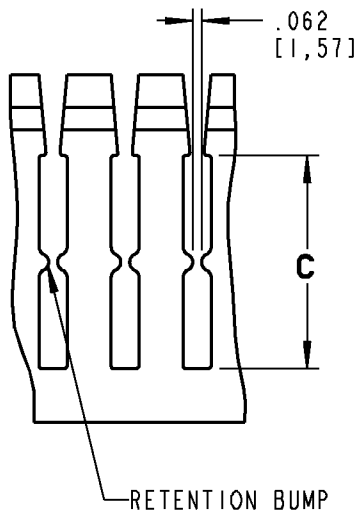


FIG. D

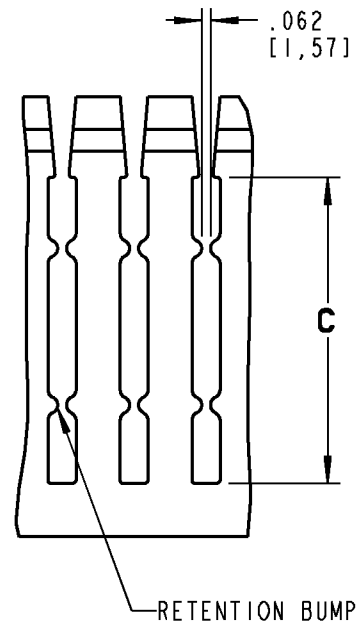


FIG. F

| | | |
|---|---------------|----------------------------------|
| Thomas & Betts <small>www.tnb.com</small> | | |
| DESCRIPTION: NARROW SLOT WIRING DUCT | | |
| SHEET NO: 6 OF 7 | REV. NO: 3 | DRAWING NO: WSD-000181 |

| NOMINAL DUCT SIZE W H | AREA SQUARE | ELECTRICAL | | | | | | | | | | | | DATA CABLE | | | | | |
|--------------------------|-------------|------------|------|--------|------|--------|------|--------|------|--------|------|--------|------|------------|-----|--------|--------------|-------|-------------|
| | | 8 AWG | | 10 AWG | | 12 AWG | | 14 AWG | | 16 AWG | | 18 AWG | | 22 AWG | | 24 AWG | | | |
| | | Ø.216 | THHN | Ø.153 | THHN | Ø.122 | THHN | Ø.105 | THHN | Ø.096 | THHN | Ø.084 | THHN | Ø.065 | MTW | Ø.217 | UTP/CM CAT5E | Ø.250 | UTP/CM CAT6 |
| 1.00 x 1.00 | 1.000 | 6 | 12 | 19 | 11 | 26 | 15 | 10 | 31 | 18 | 40 | 22 | 68 | 5 | 2 | | | | |
| 1.00 x 2.00 | 2.000 | 12 | 24 | 38 | 23 | 52 | 30 | 21 | 62 | 37 | 81 | 45 | 135 | 9 | 3 | | | | |
| 1.00 x 3.00 | 3.000 | 18 | 37 | 58 | 34 | 78 | 44 | 31 | 93 | 55 | 121 | 67 | 203 | 18 | 5 | | | | |
| 1.00 x 4.00 | 4.000 | 24 | 49 | 77 | 46 | 104 | 59 | 42 | 124 | 73 | 162 | 90 | 270 | 24 | 6 | | | | |
| 1.50 x 1.00 | 1.500 | 9 | 18 | 29 | 17 | 39 | 22 | 16 | 47 | 27 | 61 | 34 | 101 | 7 | 2 | | | | |
| 1.50 x 1.50 | 2.250 | 14 | 27 | 43 | 26 | 58 | 33 | 24 | 70 | 41 | 91 | 50 | 152 | 14 | 4 | | | | |
| 1.50 x 2.00 | 3.000 | 18 | 37 | 58 | 34 | 78 | 44 | 31 | 93 | 55 | 121 | 67 | 203 | 18 | 5 | | | | |
| 1.50 x 3.00 | 4.500 | 28 | 55 | 86 | 52 | 117 | 67 | 47 | 140 | 82 | 182 | 101 | 304 | 27 | 7 | | | | |
| 1.50 x 4.00 | 6.000 | 37 | 73 | 115 | 69 | 155 | 89 | 63 | 186 | 110 | 243 | 134 | 406 | 36 | 10 | | | | |
| 2.00 x 1.00 | 2.000 | 12 | 24 | 38 | 23 | 52 | 30 | 21 | 62 | 37 | 81 | 45 | 135 | 12 | 3 | | | | |
| 2.00 x 1.50 | 3.000 | 18 | 37 | 58 | 34 | 78 | 44 | 31 | 93 | 55 | 121 | 67 | 203 | 18 | 5 | | | | |
| 2.00 x 2.00 | 4.000 | 24 | 49 | 77 | 46 | 104 | 59 | 42 | 124 | 73 | 162 | 90 | 270 | 24 | 6 | | | | |
| 2.00 x 3.00 | 6.000 | 37 | 73 | 115 | 69 | 155 | 89 | 63 | 186 | 110 | 243 | 134 | 406 | 36 | 10 | | | | |
| 2.00 x 4.00 | 8.000 | 49 | 98 | 154 | 92 | 207 | 118 | 84 | 248 | 146 | 324 | 179 | 541 | 49 | 13 | | | | |
| 2.00 x 5.00 | 10.000 | 61 | 122 | 192 | 114 | 259 | 148 | 105 | 310 | 183 | 405 | 224 | 676 | 61 | 16 | | | | |
| 2.50 x 2.00 | 5.000 | 31 | 61 | 96 | 57 | 130 | 74 | 52 | 155 | 91 | 202 | 112 | 338 | 30 | 8 | | | | |
| 2.50 x 3.00 | 7.500 | 46 | 92 | 144 | 86 | 194 | 111 | 79 | 233 | 137 | 304 | 168 | 507 | 46 | 12 | | | | |
| 2.50 x 4.00 | 10.000 | 61 | 122 | 192 | 114 | 259 | 148 | 105 | 310 | 183 | 405 | 224 | 676 | 61 | 16 | | | | |
| 3.00 x 1.00 | 3.000 | 18 | 37 | 58 | 34 | 78 | 44 | 31 | 93 | 55 | 121 | 67 | 203 | 18 | 5 | | | | |
| 3.00 x 2.00 | 6.000 | 37 | 73 | 115 | 69 | 155 | 89 | 63 | 186 | 110 | 243 | 134 | 406 | 36 | 10 | | | | |
| 3.00 x 3.00 | 9.000 | 55 | 110 | 173 | 103 | 233 | 133 | 94 | 279 | 165 | 364 | 201 | 609 | 55 | 14 | | | | |
| 3.00 x 4.00 | 12.000 | 73 | 146 | 230 | 137 | 311 | 177 | 126 | 372 | 219 | 486 | 269 | 811 | 73 | 19 | | | | |
| 4.00 x 4.00 | 16.000 | 98 | 195 | 307 | 183 | 415 | 237 | 168 | 496 | 293 | 648 | 358 | 1082 | 97 | 26 | | | | |
| 4.00 x 5.00 | 20.000 | 122 | 244 | 384 | 229 | 518 | 296 | 210 | 620 | 366 | 810 | 448 | 1352 | 121 | 32 | | | | |
| 6.00 x 4.00 | 24.000 | 144 | 293 | 461 | 275 | 622 | 355 | 252 | 744 | 439 | 972 | 537 | 1623 | 146 | 39 | | | | |

NOTE: WIRE FILL IS BASED ON 50% FILL OF DUCT AREA



DESCRIPTION:

NARROW SLOT WIRING DUCT

SHEET NO:
7 OF 7

REV. NO:
3

DRAWING NO:
WSD-000181