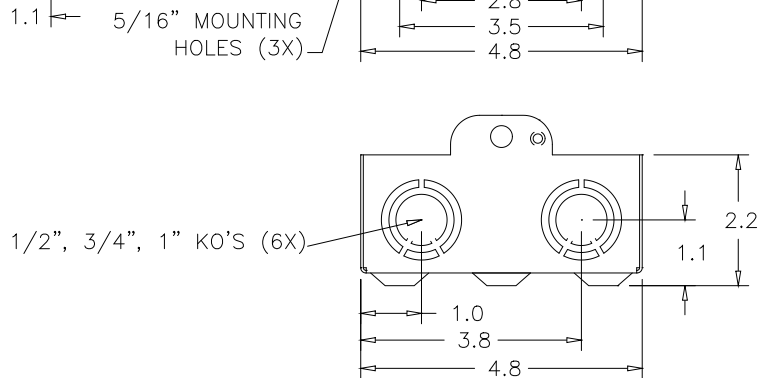
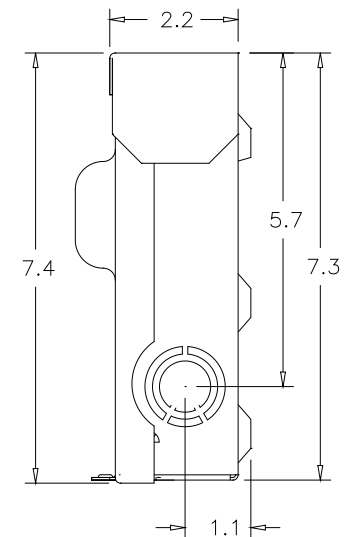
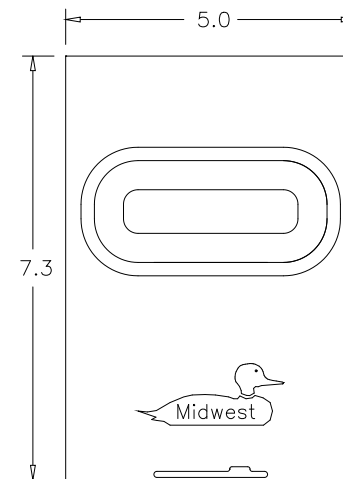


WIRE RANGE TABLE D:

| CONNECTOR | COPPER | | ALUMINUM | |
|--------------|--------|--------|----------|--------|
| | SOLID | STRAND | SOLID | STRAND |
| LINE | 14-8 | 14-2 | 12-8 | 12-2 |
| LOAD | 14-8 | 14-2 | 12-8 | 12-2 |
| NEUTRAL | ----- | ----- | ----- | ----- |
| EQUIP. GRND. | 12-8 | 12-2 | 12-8 | 12-2 |



SH1

MIDWEST ELECTRIC PRODUCTS, INC.
Mankato, MN

Dr. By: JDE
Ck. By:
CR: R0746662

* = Critical To Quality
Unless Otherwise Specified
Tolerances On:
3 Pl. Decimals ± .010
2 Pl. Decimals ± .030
Fractions ± 1/32
Angles ± 1/2°
Holes ± .003
Dimensions Are In Inches

AutoCad Generated
SCALE 1 : 1
SIZE A

SHEET 1 OF 1

TITLE: U035F2
OUTLINE DRAWING
DWG NO: 265A6337