



MILBANK
ENERGY AT WORK



U1232-X-5T-K1

Catalog Number	U1232-X-5T-K1
Marketing Product Description	5 Terminal Ringless Large Closing Plate 2 Position Double Connector 6-350kcmil
UPC	784572132962
Length (IN)	5.125
Width (IN)	26.5
Height (IN)	14
Brand Name	Milbank
Type	Ringless Meter Socket
Application	Meter Socket
Standard	UL Listed;Type 3R
Voltage Rating	300 Volts Alternating Current
Amperage Rating	150 Continuous Ampere
Phase	1 Phase
Frequency Rating	60 Hertz
Size	5.125L x 26.5W x 14H
Number Of Cutouts	0
Cutout Size	No Main Breaker
Cable Entry	Overhead or Underground
Terminal	Single Mechanical
Insulation	Glass Polyester
Mounting	Surface Mount

Enclosure	G90 Galvanized Steel with Powder Coat Finish
-----------	--

Jaw Quantity	5 Terminal
--------------	------------

Bypass Type	No Bypass
-------------	-----------

Number of Meter Positions	2 Positions
---------------------------	-------------

Equipment Ground	Ground Lug
------------------	------------

Hub Opening	Large Closing Plate
-------------	---------------------

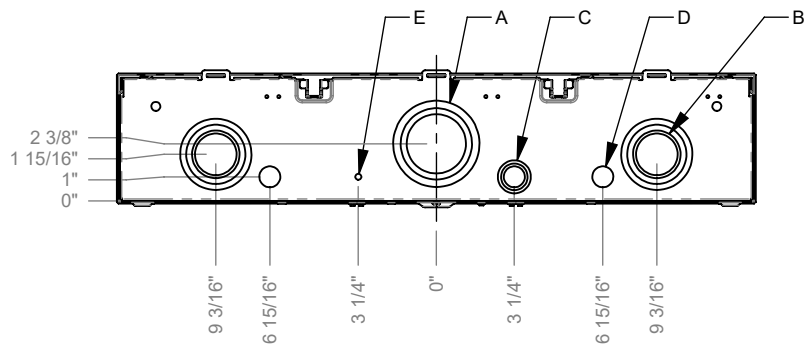
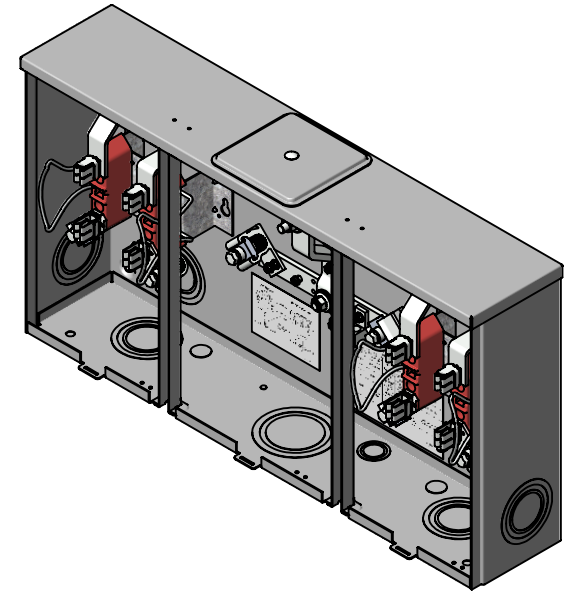
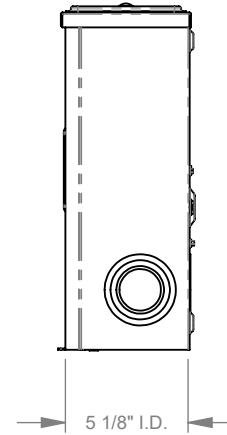
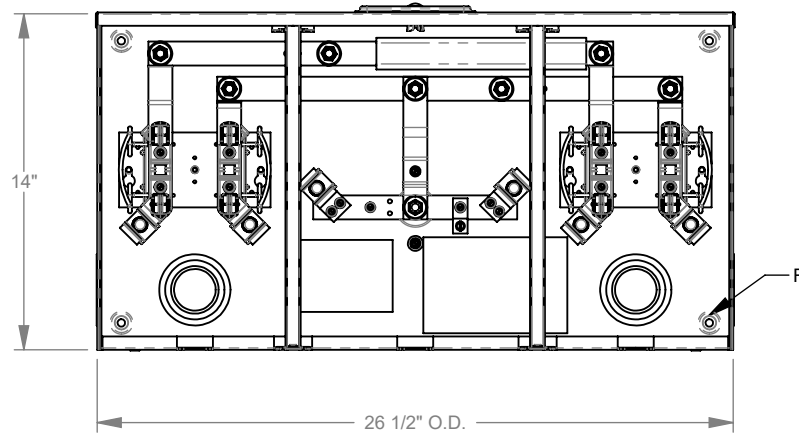
Line Side Wire Range	6 AWG - 350 kcmil
----------------------	-------------------

Load Side Wire Range	6 AWG - 350 kcmil
----------------------	-------------------

Number Of Receptacles	0
-----------------------	---

Please consult serving utility for their requirements prior to ordering or installing, as specifications and approvals vary by utility and may require local electrical inspector approval. All installations must be installed by a licensed electrician and must comply with all national and local codes, laws and regulations. Milbank reserves the right to make changes in specifications and features shown without notice or obligation.

FEATURE TABLE		
ITEM	QTY	DESCRIPTION
A	1	2, 2½, 3 CONC. K.O.
B	6	1¼, 1½, 2, 2½ CONC. K.O.
C	1	½, ¾, 1 CONC. K.O.
D	2	½ SOLID (Ø 7/8) K.O.
E	1	¼ SOLID K.O.
F	4	STD. MNTG. EMBOSS



MILBANK
ENERGY AT WORK

Version:

1

**All dimensions are +/- 1/16".
Drawing views are not to scale.**

Please consult serving utility for their requirements prior to ordering or installing, as specifications and approvals vary by utility, and may require local electrical inspector approval. All installations must be installed by a licensed electrician and must comply with all national and local codes, laws and regulations. Milbank reserves the right to make changes in specifications and features shown without notice or obligation.