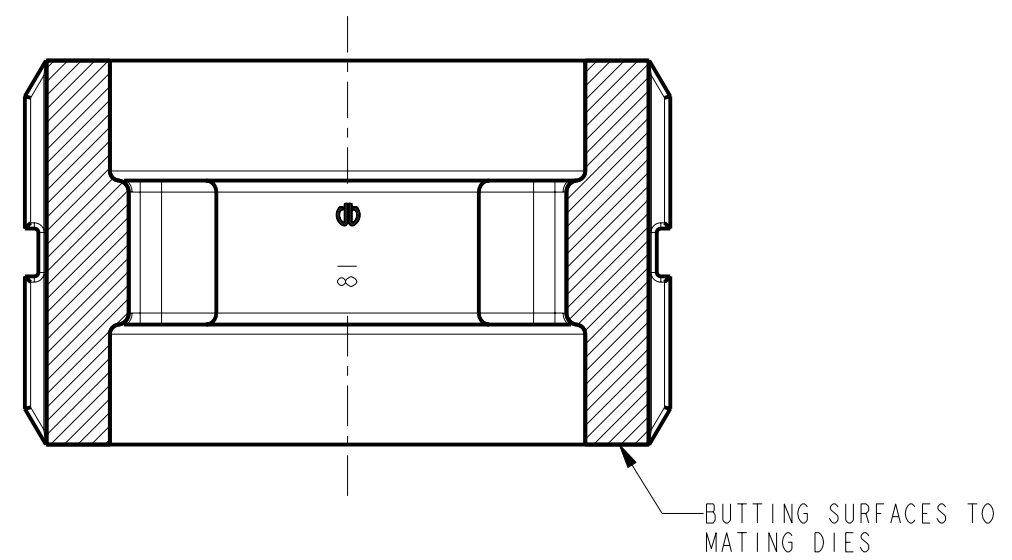
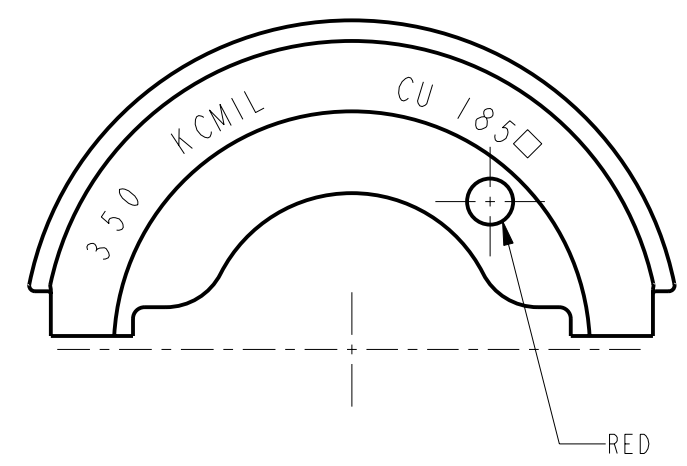
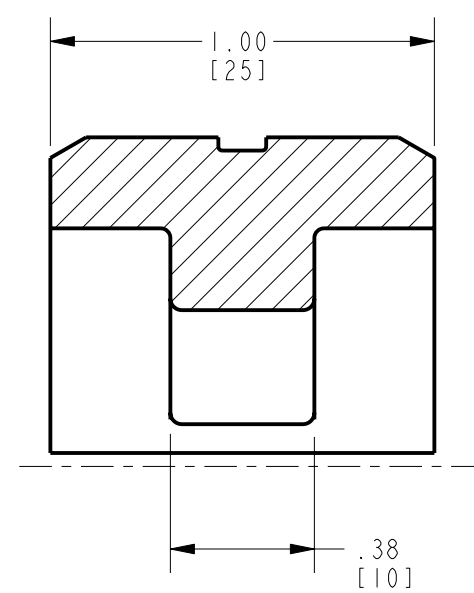
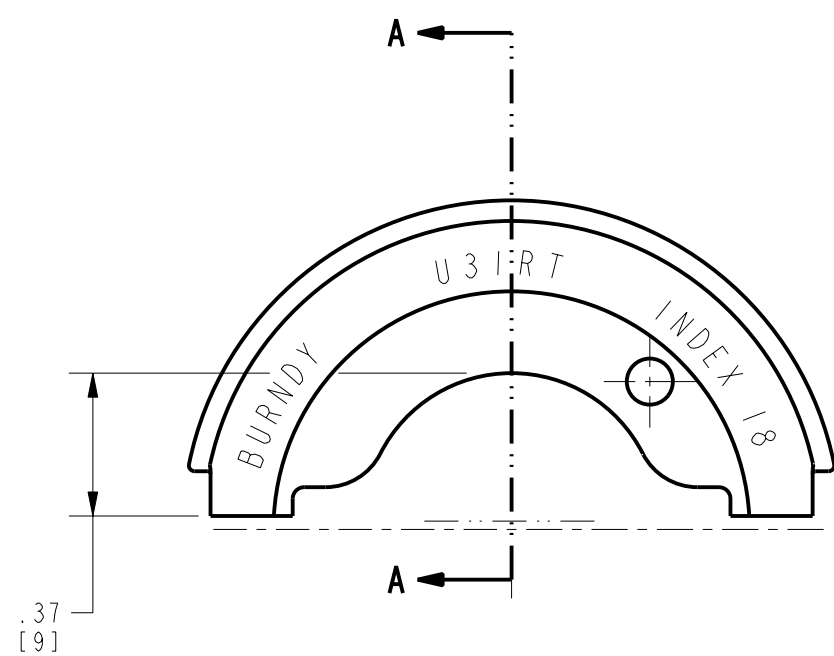


REV.	DATE	DESCRIPTION	ECO	BY	C'H'K.
A	6/22/2009 9:00:00 PM	NEW SALES DRAWING RELEASE	18373	IA	BSK



SECTION A-A

NOTES:

1. DIMENSIONS IN BRACKETS [ ] ARE IN MILLIMETERS ROUNDED OFF TO THE NEAREST MILLIMETER, UNLESS OTHERWISE SPECIFIED, AND ARE FOR REFERENCE ONLY.
2. DIE INSPECTION GAGE CATALOG NUMBER (CUSTOMER & ENGINEERING USE ONLY): UPG18.
3. MATERIAL: STAINLESS STEEL.

TO ORDER BURNDY® PRODUCTS CALL  
 UNITED STATES:  
 1-800-346-4175 (LONDONDERRY, NH)  
 CANADA:  
 1-800-361-6975 (QUEBEC)  
 1-800-387-6487 (ALL OTHER PROVINCES)  
 FOR PRODUCT INFO: <http://www.burndy.com>

CIRCULAR BUTTING TWIN DIE	
ITEM NO:	--
CAT. NO:	U3IRT
DRAWN BY:	I. ANBALAGAN 06/18/09
CHECKER:	--
DSN APPVL:	--
MFG APPVL:	--
QA APPVL:	--
MKT APPVL:	--
PROD FAM:	TOOLS-HYDRAULIC/U-DIES
PROJECT #:	--
DOCUMENT TYPE:	Sales
REL LEVEL:	Released
SCALE:	2:1
DRAWING NO:	10102822
REV:	A
SHEET 1 OF 1	

REV: PE0200