



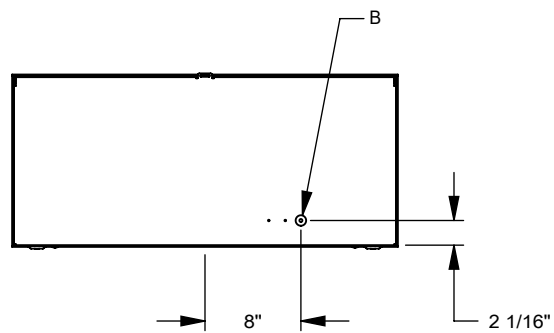
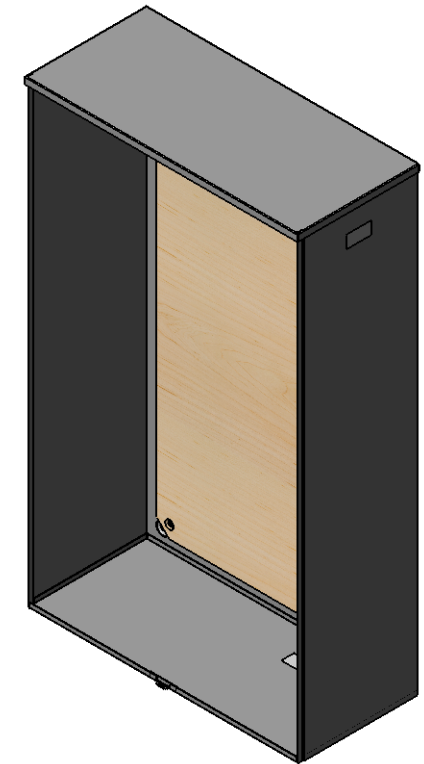
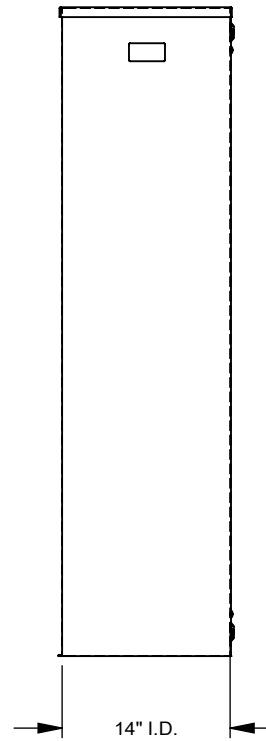
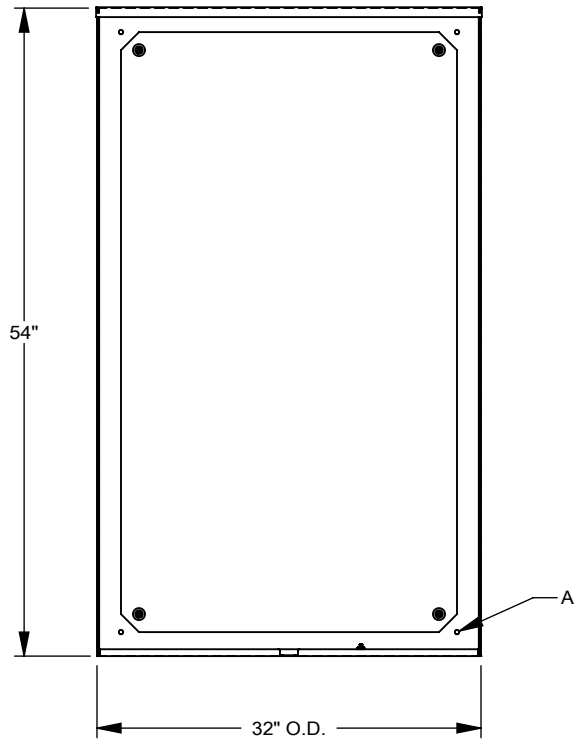
Catalog Number: U4769-O
Item Description: 14 X 32 X 54 TRANS ENCL
UPC Code: 784572244597

Brand Name: Milbank
Type: Latch Cover
Special Features: Single Door, Back Panel Included,
Current Transformer Mounting Rack
Provision
Application: Current Transformer Enclosure
Standard: UL Listed
Material: G90 Galvanized Steel with Powder
Coat Finish
Cable Entry: No Knockouts
Mounting: Surface Mount
NEMA Rating: Type 3R



Utility requirements may vary. Always consult the serving utility for their requirements prior to ordering or installing this equipment. This product must always be installed by a licensed electrician. Installation of this equipment may require local electrical inspector approval.

FEATURE TABLE		
ITEM	QTY	DESCRIPTION
A	4	TRANS. MNTG.EMBOSS
B	1	¼, ½ CONC. K.O.



Version:

1

All dimensions are +/- 1/16".
 Drawing views are not to scale.
 Utility requirements for this equipment may vary. Always consult the serving utility for their requirements prior to ordering or installing this equipment. This product must be installed by a licensed electrician. Installation of this equipment may require local electrical inspector approval.