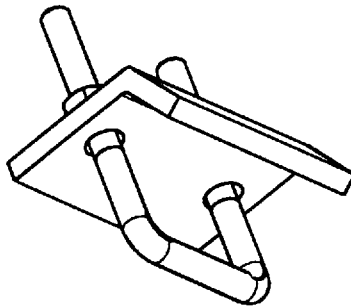
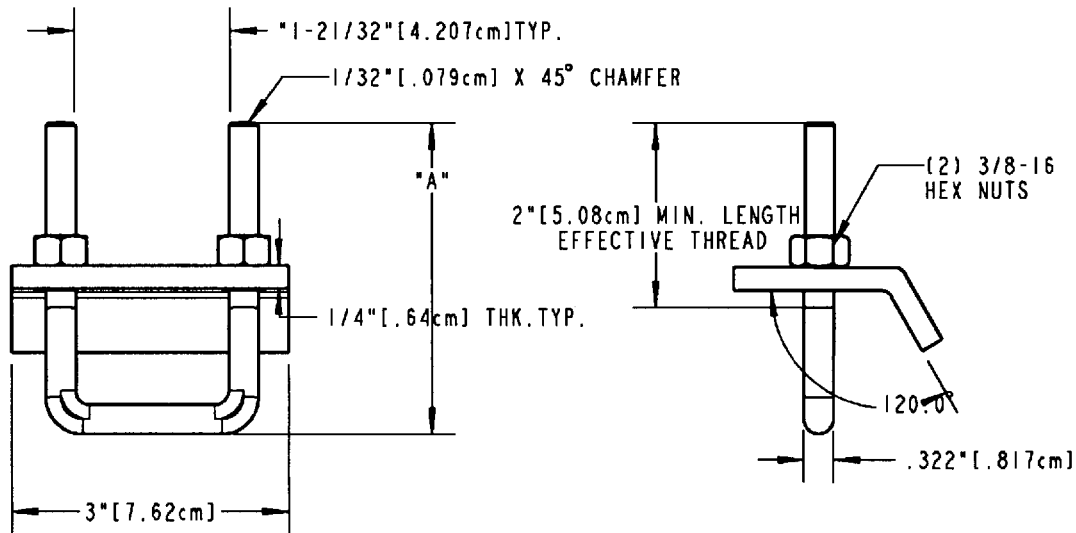


Kindorf



017				
016	U-503 SS	TYPE 304 STAINLESS STEEL	NONE	3-3/8" [8.57cm]
015	U-503 HDG	TYPE 304 STAINLESS STEEL	HOT-DIPPED GALVANIZED	3-3/8" [8.57cm]
014	U-503 EG	H.R. LOW CARBON STEEL A.I.S.I. C-1008	ELECTROGALVANIZED	3-3/8" [8.57cm]
013	U-503	H.R. LOW CARBON STEEL A.I.S.I. C-1008	GOLD-GALV.	3-3/8" [8.57cm]
012				
010	U-502 S	TYPE 304 STAINLESS STEEL	NONE	5" [12.7cm]
009	U-502 HDG	TYPE 304 STAINLESS STEEL	HOT-DIPPED GALVANIZED	5" [12.7cm]
008	U-502 EG	H.R. LOW CARBON STEEL A.I.S.I. C-1008	ELECTROGALVANIZED	5" [12.7cm]
007	U-502	H.R. LOW CARBON STEEL A.I.S.I. C-1008	GOLD-GALV.	5" [12.7cm]
006				
005	2HCJ4 (GRAINGER)	TYPE 304 STAINLESS STEEL	NONE	3-1/4" [8.25cm]
004	U-501 SS	TYPE 304 STAINLESS STEEL	NONE	3-1/4" [8.25cm]
003	U-501 HDG	TYPE 304 STAINLESS STEEL	HOT-DIPPED GALVANIZED	3-1/4" [8.25cm]
002	U-501 EG	H.R. LOW CARBON STEEL A.I.S.I. C-1008	ELECTROGALVANIZED	3-1/4" [8.25cm]
001	U-501	H.R. LOW CARBON STEEL A.I.S.I. C-1008	GOLD-GALV.	3-1/4" [8.25cm]
ITEM	DESCRIPTION	MATERIAL	FINISH	DIM A

GENERAL NOTES

- ALL DIMENSIONS ARE FOR REFERENCE ONLY.
- DIMENSIONS IN BRACKETS [] ARE IN METRIC UNITS.

REVISIONS

SEE ERN (2009453)
FOR APPROVAL SIGNATURES
& RELEASE DATE.
PROJECT NO: NM400367

Thomas & Betts
www.tnb.com

DESCRIPTION:

BEAM CLAMP FOR STRUCTURAL CHANNEL

ORIGINAL PROJECT NO / (ERN NO)

SHEET NO:

REV. NO:

DRAWING NO:

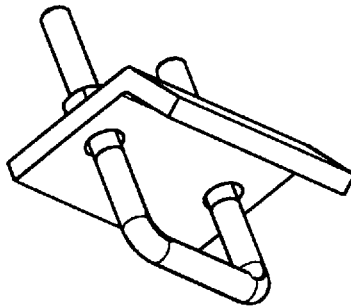
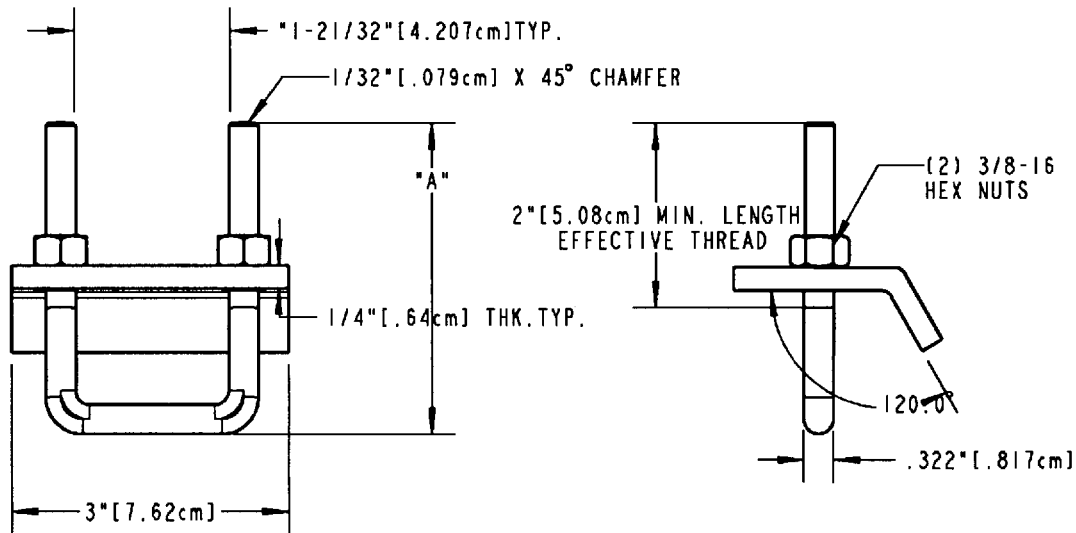
NM400367 / (2009453)

1 OF 1

-

WSD-000395

Kindorf



017				
016	U-503 SS	TYPE 304 STAINLESS STEEL	NONE	3-3/8" [8.57cm]
015	U-503 HDG	TYPE 304 STAINLESS STEEL	HOT-DIPPED GALVANIZED	3-3/8" [8.57cm]
014	U-503 EG	H.R. LOW CARBON STEEL A.I.S.I. C-1008	ELECTROGALVANIZED	3-3/8" [8.57cm]
013	U-503	H.R. LOW CARBON STEEL A.I.S.I. C-1008	GOLD-GALV.	3-3/8" [8.57cm]
012				
010	U-502 S	TYPE 304 STAINLESS STEEL	NONE	5" [12.7cm]
009	U-502 HDG	TYPE 304 STAINLESS STEEL	HOT-DIPPED GALVANIZED	5" [12.7cm]
008	U-502 EG	H.R. LOW CARBON STEEL A.I.S.I. C-1008	ELECTROGALVANIZED	5" [12.7cm]
007	U-502	H.R. LOW CARBON STEEL A.I.S.I. C-1008	GOLD-GALV.	5" [12.7cm]
006				
005	2HCJ4 (GRAINGER)	TYPE 304 STAINLESS STEEL	NONE	3-1/4" [8.25cm]
004	U-501 SS	TYPE 304 STAINLESS STEEL	NONE	3-1/4" [8.25cm]
003	U-501 HDG	TYPE 304 STAINLESS STEEL	HOT-DIPPED GALVANIZED	3-1/4" [8.25cm]
002	U-501 EG	H.R. LOW CARBON STEEL A.I.S.I. C-1008	ELECTROGALVANIZED	3-1/4" [8.25cm]
001	U-501	H.R. LOW CARBON STEEL A.I.S.I. C-1008	GOLD-GALV.	3-1/4" [8.25cm]
ITEM	DESCRIPTION	MATERIAL	FINISH	DIM A

GENERAL NOTES

- ALL DIMENSIONS ARE FOR REFERENCE ONLY.
- DIMENSIONS IN BRACKETS [] ARE IN METRIC UNITS.

REVISIONS

SEE ERN (2009453)
FOR APPROVAL SIGNATURES
& RELEASE DATE.
PROJECT NO: NM400367

Thomas & Betts
www.tnb.com

DESCRIPTION:

BEAM CLAMP FOR STRUCTURAL CHANNEL

ORIGINAL PROJECT NO / (ERN NO)

SHEET NO:

REV. NO:

DRAWING NO:

NM400367 / (2009453)

1 OF 1

-

WSD-000395