

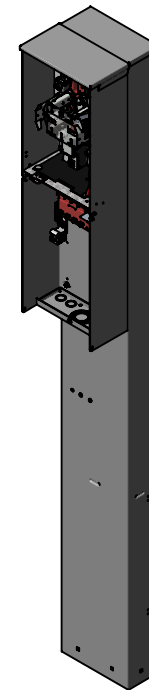
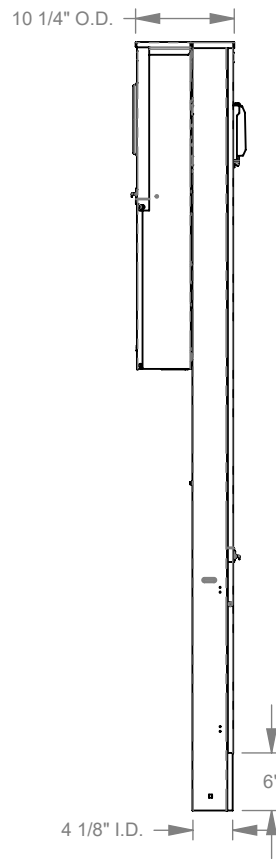
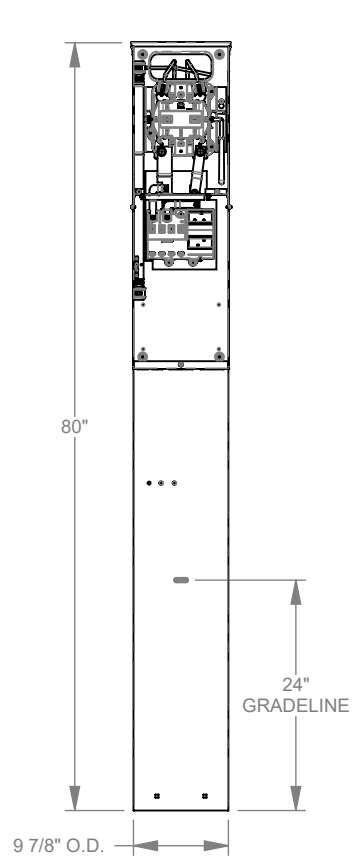


# U5949-O-5T9-CDOT



<b>Catalog Number</b>	U5949-O-5T9-CDOT	<b>Cable Entry</b>	Underground
<b>Marketing Product Description</b>	5 Terminal Ringless Plain Top Lever Bypass 1 Main Breaker Provision 5th Terminal 9 Oclock Position Single Pedestal Direct Bury Cold Sequence Fuse Pullout Colorado DOT	<b>Terminal</b>	Single Mechanical
<b>UPC</b>	784572652927	<b>Insulation</b>	Glass Polyester
<b>Length (IN)</b>	10.25	<b>Mounting</b>	Pedestal
<b>Width (IN)</b>	9.875	<b>Enclosure</b>	G90 Galvanized Steel with Powder Coat Finish
<b>Height (IN)</b>	80	<b>Jaw Quantity</b>	5 Terminal
<b>Brand Name</b>	Milbank	<b>Bypass Type</b>	Lever Bypass
<b>Type</b>	Ringless Meter Socket	<b>Number of Meter Positions</b>	Single Power Head
<b>Special Features</b>	Colorado DOT	<b>Equipment Ground</b>	4 Barrel Ground Lug
<b>Application</b>	Meter Socket With Main And Load Center	<b>Hub Opening</b>	Plain Top
<b>Standard</b>	UL Listed;Type 3R	<b>Line Side Wire Range</b>	6 AWG - 350 kcmil
<b>Voltage Rating</b>	Up to 240 Volts Alternating Current	<b>Load Side Wire Range</b>	1 AWG - 300 kcmil
<b>Amperage Rating</b>	200 Continuous Ampere	<b>Number Of Receptacles</b>	0
<b>Phase</b>	1 Phase		
<b>Frequency Rating</b>	60 Hertz		
<b>Size</b>	10.25L x 9.875W x80H		
<b>Number Of Cutouts</b>	6		
<b>Cutout Size</b>	Breaker Provision		

Please consult serving utility for their requirements prior to ordering or installing, as specifications and approvals vary by utility and may require local electrical inspector approval. All installations must be installed by a licensed electrician and must comply with all national and local codes, laws and regulations. Milbank reserves the right to make changes in specifications and features shown without notice or obligation.



**MILBANK**  
ENERGY AT WORK

Version:

**1**

**All dimensions are +/- 1/16".  
Drawing views are not to scale.**

Please consult serving utility for their requirements prior to ordering or installing, as specifications and approvals vary by utility, and may require local electrical inspector approval. All installations must be installed by a licensed electrician and must comply with all national and local codes, laws and regulations. Milbank reserves the right to make changes in specifications and features shown without notice or obligation.



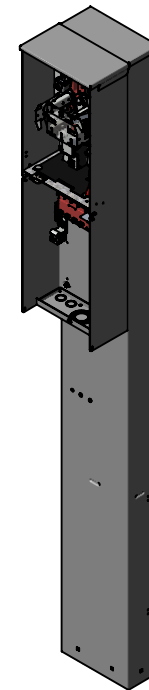
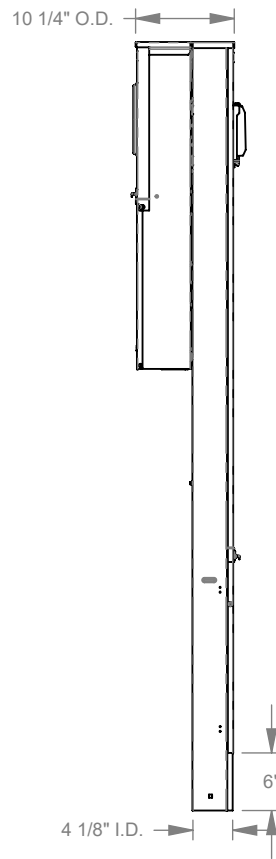
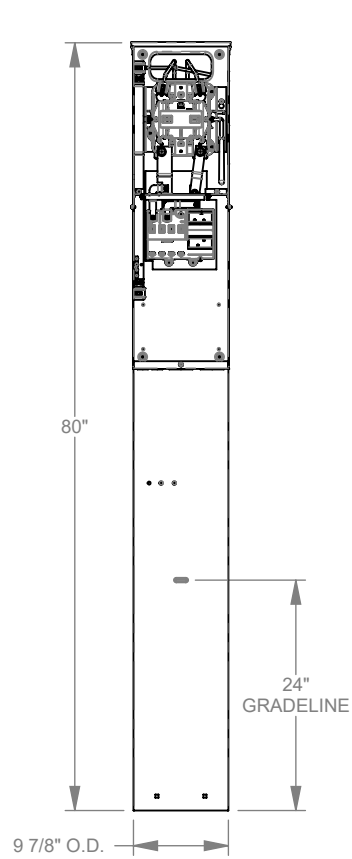
**MILBANK**  
ENERGY AT WORK

## U5949-O-5T9-CDOT



<b>Catalog Number</b>	U5949-O-5T9-CDOT	<b>Cable Entry</b>	Underground
<b>Marketing Product Description</b>	5 Terminal Ringless Plain Top Lever Bypass 1 Main Breaker Provision 5th Terminal 9 Oclock Position Single Pedestal Direct Bury Cold Sequence Fuse Pullout Colorado DOT	<b>Terminal</b>	Single Mechanical
<b>UPC</b>	784572652927	<b>Insulation</b>	Glass Polyester
<b>Length (IN)</b>	10.25	<b>Mounting</b>	Pedestal
<b>Width (IN)</b>	9.875	<b>Enclosure</b>	G90 Galvanized Steel with Powder Coat Finish
<b>Height (IN)</b>	80	<b>Jaw Quantity</b>	5 Terminal
<b>Brand Name</b>	Milbank	<b>Bypass Type</b>	Lever Bypass
<b>Type</b>	Ringless Meter Socket	<b>Number of Meter Positions</b>	Single Power Head
<b>Special Features</b>	Colorado DOT	<b>Equipment Ground</b>	4 Barrel Ground Lug
<b>Application</b>	Meter Socket With Main And Load Center	<b>Hub Opening</b>	Plain Top
<b>Standard</b>	UL Listed;Type 3R	<b>Line Side Wire Range</b>	6 AWG - 350 kcmil
<b>Voltage Rating</b>	Up to 240 Volts Alternating Current	<b>Load Side Wire Range</b>	1 AWG - 300 kcmil
<b>Amperage Rating</b>	200 Continuous Ampere	<b>Number Of Receptacles</b>	0
<b>Phase</b>	1 Phase		
<b>Frequency Rating</b>	60 Hertz		
<b>Size</b>	10.25L x 9.875W x80H		
<b>Number Of Cutouts</b>	6		
<b>Cutout Size</b>	Breaker Provision		

Please consult serving utility for their requirements prior to ordering or installing, as specifications and approvals vary by utility and may require local electrical inspector approval. All installations must be installed by a licensed electrician and must comply with all national and local codes, laws and regulations. Milbank reserves the right to make changes in specifications and features shown without notice or obligation.



**MILBANK**  
ENERGY AT WORK

Version:

**1**

**All dimensions are +/- 1/16".  
Drawing views are not to scale.**

Please consult serving utility for their requirements prior to ordering or installing, as specifications and approvals vary by utility, and may require local electrical inspector approval. All installations must be installed by a licensed electrician and must comply with all national and local codes, laws and regulations. Milbank reserves the right to make changes in specifications and features shown without notice or obligation.