

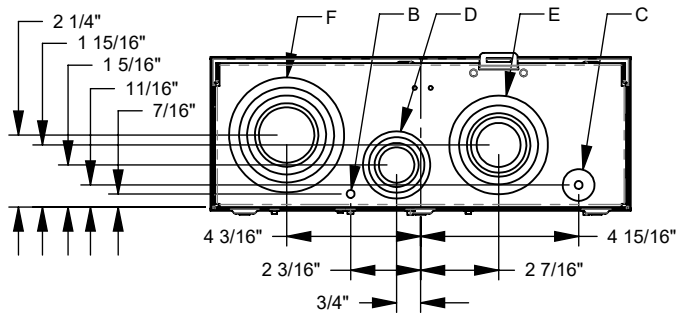
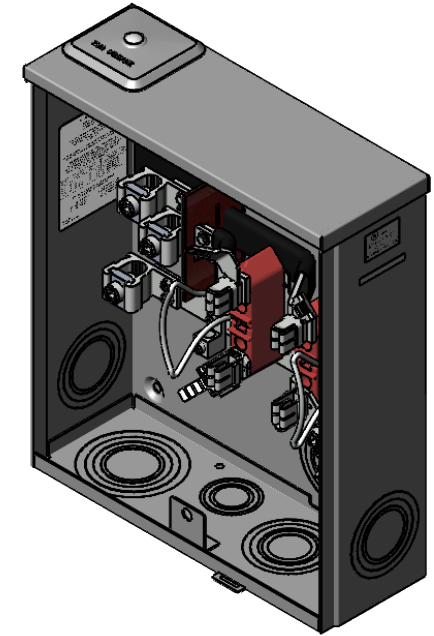
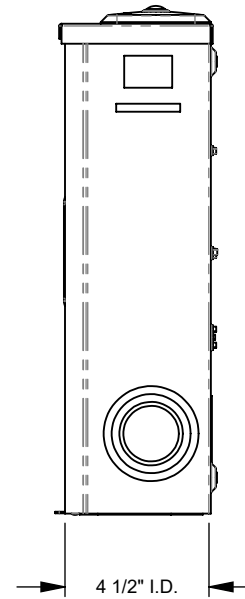
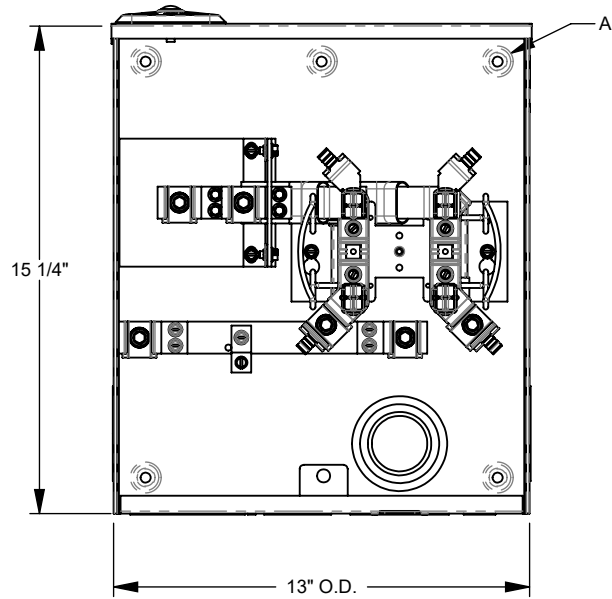
# UAP1980-O-KK-BLG-AEP

<b>Catalog Number</b>	UAP1980-O-KK-BLG-AEP
<b>Marketing Product Description</b>	4 Terminal Ringless Plain Top Horn Bypass 7-8 In Barrel Lock Ground With Bracket Provision Lever Bypass American Electric Power
<b>UPC</b>	784572706507
<b>Length (IN)</b>	4.5
<b>Width (IN)</b>	13
<b>Height (IN)</b>	15.25
<b>Brand Name</b>	Milbank
<b>Type</b>	Ringless Meter Socket
<b>Special Features</b>	American Electric Power
<b>Application</b>	Meter Socket
<b>Standard</b>	UL Listed;Type 3R
<b>Voltage Rating</b>	600 Volts Alternating Current
<b>Amperage Rating</b>	200 Continuous Ampere
<b>Phase</b>	1 Phase
<b>Frequency Rating</b>	60 Hertz
<b>Size</b>	4.5L x 13W x15.25H
<b>Number Of Cutouts</b>	0
<b>Cutout Size</b>	No Breaker Provision
<b>Cable Entry</b>	Underground with Side Wireway
<b>Terminal</b>	Lay in

<b>Insulation</b>	Glass Polyester
<b>Mounting</b>	Surface Mount
<b>Enclosure</b>	Aluminum with Powder Coat Finish
<b>Jaw Quantity</b>	4 Terminal
<b>Bypass Type</b>	Horn Bypass
<b>Number of Meter Positions</b>	1 Position
<b>Equipment Ground</b>	Ground Lug
<b>Hub Opening</b>	Plain Top
<b>Line Side Wire Range</b>	6 AWG - 350 kcmil
<b>Load Side Wire Range</b>	6 AWG - 350 kcmil
<b>Barrel Lock Provision</b>	7/8 Inch Knockout and Angle Bracket For Barrel Lock Provision
<b>Number Of Receptacles</b>	0

Please consult serving utility for their requirements prior to ordering or installing, as specifications and approvals vary by utility and may require local electrical inspector approval. All installations must be installed by a licensed electrician and must comply with all national and local codes, laws and regulations. Milbank reserves the right to make changes in specifications and features shown without notice or obligation.

FEATURE TABLE		
ITEM	QTY	DESCRIPTION
A	5	U/L MNTG.EMBOSS
B	1	¼ SOLID K.O.
C	1	¼, ½ CONC. K.O.
D	1	¾, 1, 1¼, 1½ CONC. K.O.
E	4	1¼, 1½, 2, 2½ CONC. K.O.
F	1	2½, 3, 3½ CONC. K.O.



Version:

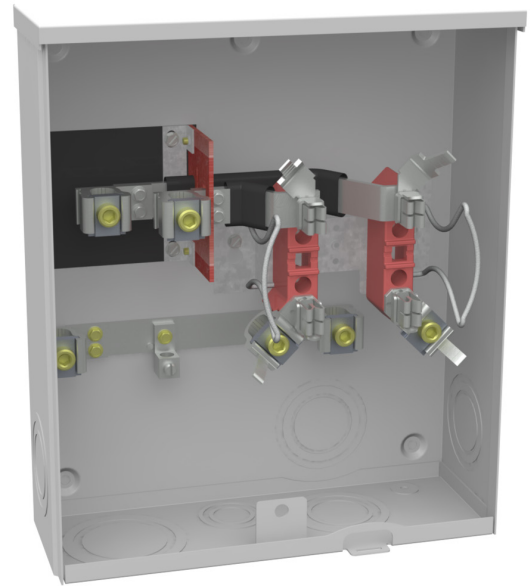
1

All dimensions are +/- 1/16".  
Drawing views are not to scale.

Please consult serving utility for their requirements prior to ordering or installing, as specifications and approvals vary by utility, and may require local electrical inspector approval. All installations must be installed by a licensed electrician and must comply with all national and local codes, laws and regulations. Milbank reserves the right to make changes in specifications and features shown without notice or obligation.



# UAP1980-O-KK-BLG-AEP

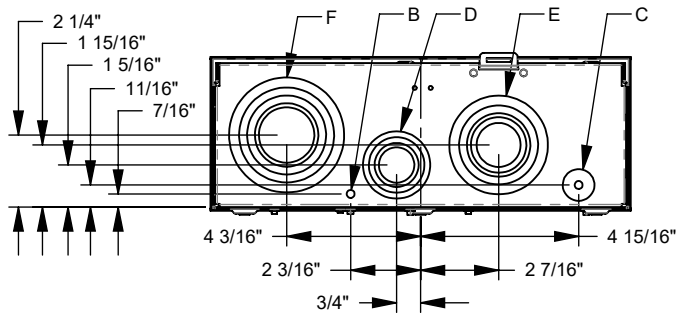
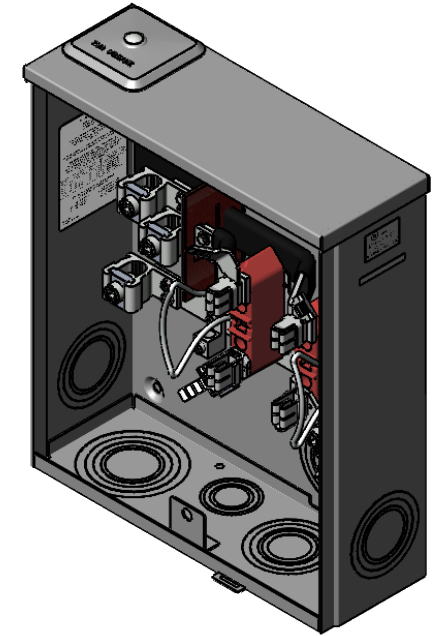
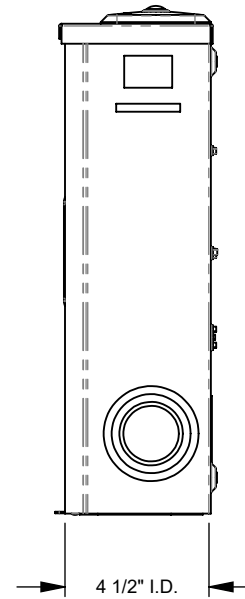
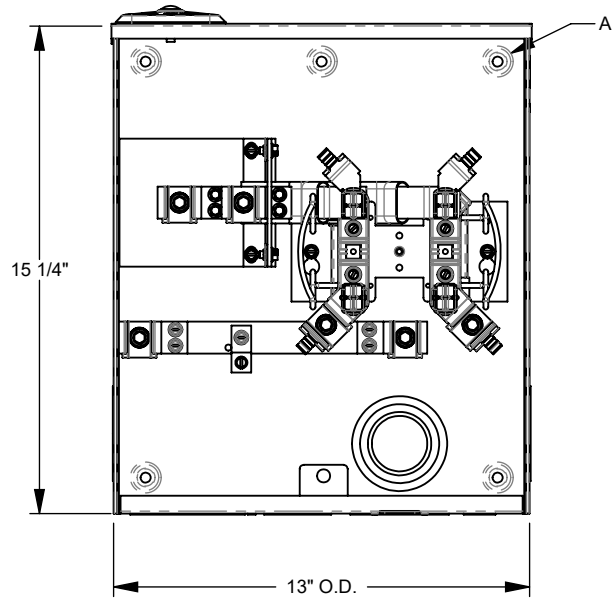


<b>Catalog Number</b>	UAP1980-O-KK-BLG-AEP
<b>Marketing Product Description</b>	4 Terminal Ringless Plain Top Horn Bypass 7-8 In Barrel Lock Ground With Bracket Provision Lever Bypass American Electric Power
<b>UPC</b>	784572706507
<b>Length (IN)</b>	4.5
<b>Width (IN)</b>	13
<b>Height (IN)</b>	15.25
<b>Brand Name</b>	Milbank
<b>Type</b>	Ringless Meter Socket
<b>Special Features</b>	American Electric Power
<b>Application</b>	Meter Socket
<b>Standard</b>	UL Listed;Type 3R
<b>Voltage Rating</b>	600 Volts Alternating Current
<b>Amperage Rating</b>	200 Continuous Ampere
<b>Phase</b>	1 Phase
<b>Frequency Rating</b>	60 Hertz
<b>Size</b>	4.5L x 13W x15.25H
<b>Number Of Cutouts</b>	0
<b>Cutout Size</b>	No Breaker Provision
<b>Cable Entry</b>	Underground with Side Wireway
<b>Terminal</b>	Lay in

<b>Insulation</b>	Glass Polyester
<b>Mounting</b>	Surface Mount
<b>Enclosure</b>	Aluminum with Powder Coat Finish
<b>Jaw Quantity</b>	4 Terminal
<b>Bypass Type</b>	Horn Bypass
<b>Number of Meter Positions</b>	1 Position
<b>Equipment Ground</b>	Ground Lug
<b>Hub Opening</b>	Plain Top
<b>Line Side Wire Range</b>	6 AWG - 350 kcmil
<b>Load Side Wire Range</b>	6 AWG - 350 kcmil
<b>Barrel Lock Provision</b>	7/8 Inch Knockout and Angle Bracket For Barrel Lock Provision
<b>Number Of Receptacles</b>	0

Please consult serving utility for their requirements prior to ordering or installing, as specifications and approvals vary by utility and may require local electrical inspector approval. All installations must be installed by a licensed electrician and must comply with all national and local codes, laws and regulations. Milbank reserves the right to make changes in specifications and features shown without notice or obligation.

FEATURE TABLE		
ITEM	QTY	DESCRIPTION
A	5	U/L MNTG.EMBOSS
B	1	¼ SOLID K.O.
C	1	¼, ½ CONC. K.O.
D	1	¾, 1, 1¼, 1½ CONC. K.O.
E	4	1¼, 1½, 2, 2½ CONC. K.O.
F	1	2½, 3, 3½ CONC. K.O.



Version:

1

All dimensions are +/- 1/16".  
Drawing views are not to scale.

Please consult serving utility for their requirements prior to ordering or installing, as specifications and approvals vary by utility, and may require local electrical inspector approval. All installations must be installed by a licensed electrician and must comply with all national and local codes, laws and regulations. Milbank reserves the right to make changes in specifications and features shown without notice or obligation.