

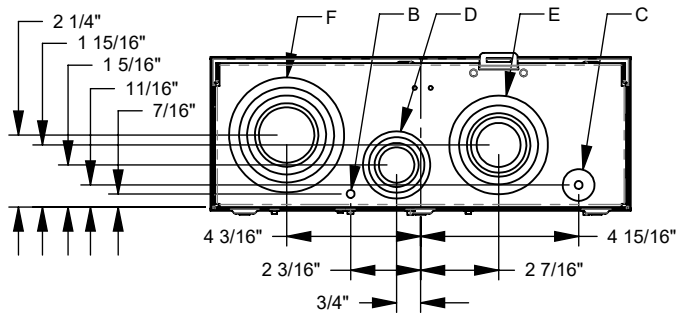
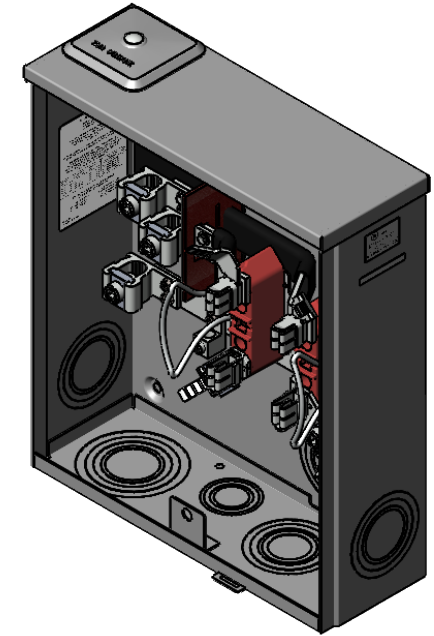
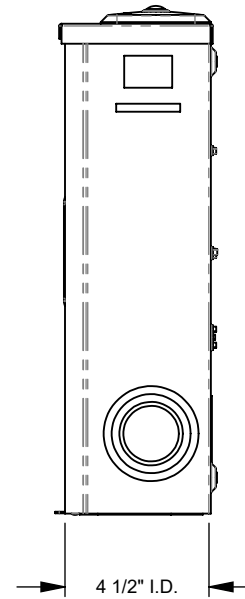
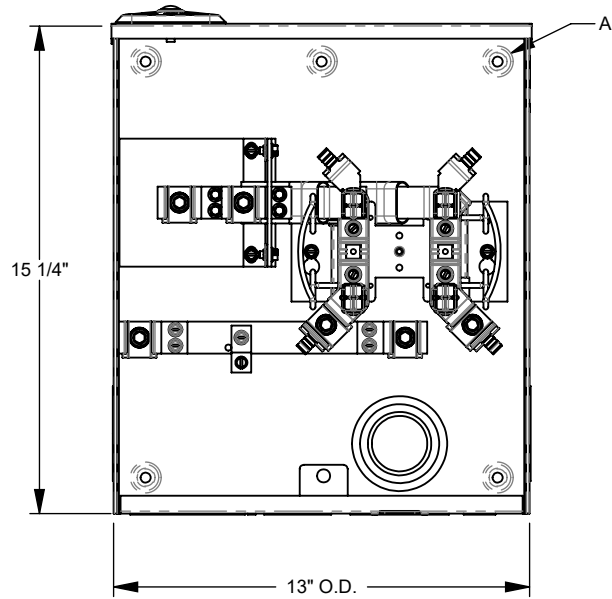
UAP1980-O-KK-BLG-AEP

Catalog Number	UAP1980-O-KK-BLG-AEP
Marketing Product Description	4 Terminal Ringless Plain Top Horn Bypass 7-8 In Barrel Lock Ground With Bracket Provision Lever Bypass American Electric Power
UPC	784572706507
Length (IN)	4.5
Width (IN)	13
Height (IN)	15.25
Brand Name	Milbank
Type	Ringless Meter Socket
Special Features	American Electric Power
Application	Meter Socket
Standard	UL Listed;Type 3R
Voltage Rating	600 Volts Alternating Current
Amperage Rating	200 Continuous Ampere
Phase	1 Phase
Frequency Rating	60 Hertz
Size	4.5L x 13W x15.25H
Number Of Cutouts	0
Cutout Size	No Breaker Provision
Cable Entry	Underground with Side Wireway
Terminal	Lay in

Insulation	Glass Polyester
Mounting	Surface Mount
Enclosure	Aluminum with Powder Coat Finish
Jaw Quantity	4 Terminal
Bypass Type	Horn Bypass
Number of Meter Positions	1 Position
Equipment Ground	Ground Lug
Hub Opening	Plain Top
Line Side Wire Range	6 AWG - 350 kcmil
Load Side Wire Range	6 AWG - 350 kcmil
Barrel Lock Provision	7/8 Inch Knockout and Angle Bracket For Barrel Lock Provision
Number Of Receptacles	0

Please consult serving utility for their requirements prior to ordering or installing, as specifications and approvals vary by utility and may require local electrical inspector approval. All installations must be installed by a licensed electrician and must comply with all national and local codes, laws and regulations. Milbank reserves the right to make changes in specifications and features shown without notice or obligation.

FEATURE TABLE		
ITEM	QTY	DESCRIPTION
A	5	U/L MNTG.EMBOSS
B	1	¼ SOLID K.O.
C	1	¼, ½ CONC. K.O.
D	1	¾, 1, 1¼, 1½ CONC. K.O.
E	4	1¼, 1½, 2, 2½ CONC. K.O.
F	1	2½, 3, 3½ CONC. K.O.



Version:

1

**All dimensions are +/- 1/16".
Drawing views are not to scale.**

Please consult serving utility for their requirements prior to ordering or installing, as specifications and approvals vary by utility, and may require local electrical inspector approval. All installations must be installed by a licensed electrician and must comply with all national and local codes, laws and regulations. Milbank reserves the right to make changes in specifications and features shown without notice or obligation.