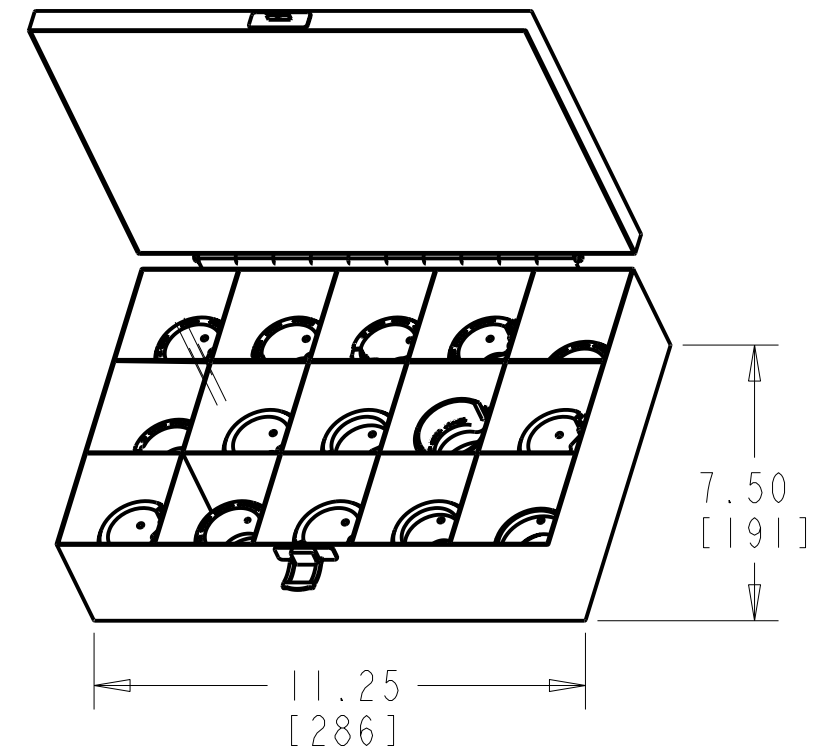


UDIEKITCU INCLUDES	
COPPER WIRE SIZE	CATALOG NUMBER
#6 AWG	U5CRT
#4 AWG	U4CRT
#2 AWG	U2CRT
#1 AWG	U1CRT-1
1/0 AWG	U25RT
2/0 AWG	U26RT
3/0 AWG	U27RT
4/0 AWG	U28RT
250 kcmil	U29RT
300 kcmil	U30RT
350 kcmil	U31RT
400 kcmil	U32RT
500 kcmil	U34RT
600 kcmil	U36RT
750 kcmil	U39RT
DIE CASE	CASEUDIES15

UDIEKITHYGRD INCLUDES
CATALOG NUMBER
UC
U0
U997
PU998
U1011
U1104
U1105
U2CABT (GROUND ROD PRE-CRIMP DIE)
CASEUDIES8 (DIE CASE)

REV.	DATE	DESCRIPTION	ECO	BY	C'H'K.
B	2018-11-12 23:00:00 EST	UPDATED AS PER MARKUP	48525	RS	RM



UDIEKITCU

NOTES:

BURNDY® U-DIE KITS

1. EACH UDIEKITCU DIE KIT INCLUDES 15 SETS OF "U" AND THE CASEUDIES15 DIE CASE.
2. THESE STAINLESS STEEL COLOR CODED DIES ARE FOR CRIMPING BURNDY® YA AND YS TYPE HYLUG™ AND HYLINK™ COLOR CODED TERMINALS AND SPLICES RANGING FROM #6 AWG THROUGH 750 kcmil.
3. THE UDIEKITHYGRD KIT INCLUDES EIGHT DIE SETS AND THE CASEUDIES8 DIE CASE. SEVEN DIES SETS ARE USED TO INSTALL THE BURNDY® HYGROUND™ IRREVERSIBLE COMPRESSION GROUNDING CONNECTORS, AND THE LAST SET IS USED TO PRE-CRIMP 1/2", 5/8", 3/4" GROUND RODS FOR INCREASED ROTATIONAL RESISTANCE.
- 4 MATERIAL: DIES: STAINLESS STEEL
CASE: PLASTIC

TO ORDER BURNDY® PRODUCTS CALL		U DIE KITS													
UNITED STATES: 1-800-346-4175 (LONDONDERRY, NH)		ITEM NO: 10095062, 10097699													
CANADA: 1-800-361-6975 (QUEBEC) 1-800-387-6487 (ALL OTHER PROVINCES)		CAT. NO: UDIEKITCU, UDIEKITHYGRD													
FOR PRODUCT INFO: http://www.burndy.com		<table border="1"> <tr><td>DRAWN BY: Y.PADMARAJA</td><td>12/04/2012</td></tr> <tr><td>CHECKER: L.BROWN</td><td>10/04/2013</td></tr> <tr><td>DSN APPVL: L.BROWN</td><td>10/04/2013</td></tr> <tr><td>MFG APPVL: --</td><td>--</td></tr> <tr><td>QA APPVL: C.ACKERMAN</td><td>10/22/2013</td></tr> <tr><td>MKT APPVL: D.OWENS</td><td>12/31/2013</td></tr> </table>		DRAWN BY: Y.PADMARAJA	12/04/2012	CHECKER: L.BROWN	10/04/2013	DSN APPVL: L.BROWN	10/04/2013	MFG APPVL: --	--	QA APPVL: C.ACKERMAN	10/22/2013	MKT APPVL: D.OWENS	12/31/2013
DRAWN BY: Y.PADMARAJA	12/04/2012														
CHECKER: L.BROWN	10/04/2013														
DSN APPVL: L.BROWN	10/04/2013														
MFG APPVL: --	--														
QA APPVL: C.ACKERMAN	10/22/2013														
MKT APPVL: D.OWENS	12/31/2013														
		SCALE: 0.250													
		DRAWING NO													
		PROJECT #:													
		DOCUMENT TYPE: Sales													
		REL LEVEL: Released													
		SIZE													
		DRAWING NO													
		REV													
		50015897													
		SHEET 1 OF 1													
		B													