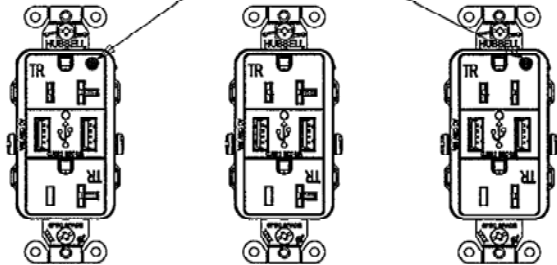


M12185 4

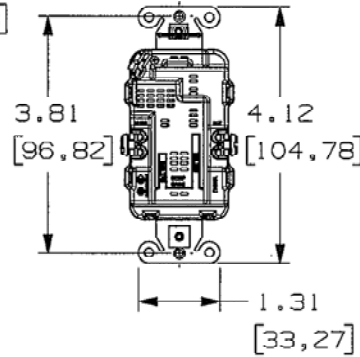
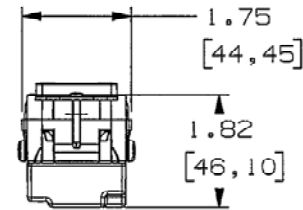
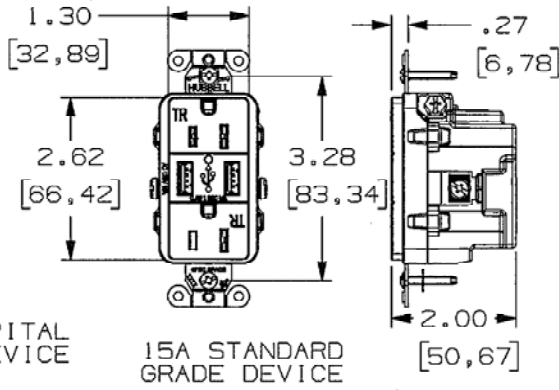
GREEN DOT



20A HOSPITAL GRADE DEVICE

20A STANDARD GRADE DEVICE

15A HOSPITAL GRADE DEVICE



CATALOG NO.	DESCRIPTION	COLOR	RATING
USB15X2I		IVORY	
USB15X2W		WHITE	
USB15X2LA		LIGHT ALMOND	
USB15X2OW	USB CHARGER 15A 125V RECEPTACLE, 3A 5VDC PORT	OFFICE WHITE	
USB15X2BK		BLACK	
USB15X2R		RED	
USB15X2GY		GRAY	
USB15X2		BROWN	
USB8200I		IVORY	15A 125V
USB8200W		WHITE	
USB8200LA		LIGHT ALMOND	
USB8200OW	USB CHARGER 15A 125V HOSPITAL GRADE RECEPTACLE, 3A 5VDC PORT	OFFICE WHITE	
USB8200BK		BLACK	
USB8200R		RED	
USB8200GY		GRAY	
USB8200		BROWN	
USB20X2I		IVORY	
USB20X2W		WHITE	
USB20X2LA		LIGHT ALMOND	
USB20X2OW	USB CHARGER 20A 125V RECEPTACLE, 3A 5VDC PORT	OFFICE WHITE	
USB20X2BK		BLACK	
USB20X2R		RED	
USB20X2GY		GRAY	
USB20X2		BROWN	
USB8300I		IVORY	20A 125V
USB8300W		WHITE	
USB8300LA		LIGHT ALMOND	
USB8300OW	USB CHARGER 20A 125V HOSPITAL GRADE RECEPTACLE, 3A 5VDC PORT	OFFICE WHITE	
USB8300BK		BLACK	
USB8300R		RED	
USB8300GY		GRAY	
USB8300		BROWN	

NOTE:

1. BASE COLOR: BLACK; COVER COLOR SEE TABLE PER CATALOG.
2. ALL DIMENSIONS ARE IN INCHES [mm].
3. RATING/TYPE: RECEPTACLE: SEE TABLE. USB PORT CHARGER OUTPUT: 5VDC 3A MAX.

LIST OF PARTS

DESCRIPTION	MATERIAL	FINISH
COVER	THERMOPLASTIC	
BASE	THERMOPLASTIC	
SHUTTER FOR TR	THERMOPLASTIC	
MOUNTING SCREW	STEEL	ZINC PLATED
STRAP	STEEL	ZINC PLATED
TERMINALS	BRASS ALLOY	
TERMINAL SCREW (HOT)	STEEL	BRASS FINISH
GROUND SCREW	STEEL	GREEN FINISH
TERMINAL SCREW (NEUTRAL)	STEEL	NICKEL PLATED

SYM	REVISIONS	APP	DATE
4	DIM .27 WAS .24 AND 2.00 WAS 1.96 PER DCN #19980.	DL	07/19/13
3	ADD "COVER COLOR SEE TABLE PER CAT# " IN NOTE #1; CAT# "USB20X2W" WAS "USB202W" IN TABLE PER DCN #19253.	DL	12/14/12
2	SCALE 1/2 WAS 1; ADD 20A STD. AND 15A & 20A HG. CAT#; RCPT RATING SHOWN IN TABLE WAS IN NOTE #3; "GRAY" WAS "GTAY" IN TABLE COLOR COLUMN PER DCN #19176	DL	10/25/12
1	NEW RELEASE PER DCN #19085	DL	9/12/12

THE DESIGN AND DIMENSIONS OF THE PRODUCT SHOWN ON THIS DRAWING ARE SUBJECT TO CHANGE WITHOUT NOTICE

TITLE
2X2 USB CHARGER TR RECEPTACLE

TOLERANCES UNLESS OTHERWISE SPECIFIED	WIRING DEVICE-KELLEWS HUBBELL INCORPORATED BRIDGEPORT, CT
FRACTIONS ± 1/64	DR. BY J.X APP. BY
DECIMALS ± .005	TR. BY J.X SCALE 1:2
ANGLES ± 2'	CHK'D BY C.Z DATE 4/17/12

DIMENSION SHEET FOR CAT. NO.

SEE TABLE

REPAIRABLE

NON-REPAIRABLE

B

M12185

4