

VAPORTITE VBGG/VWGG INCANDESCENT

Cat.#

Job

Type



HUBBELL
Outdoor Lighting

Approvals

APPLICATIONS

- Wall/Ceiling/Pendant entry, corridor, tunnel, service area, stairwell, or retro-accent

SPECIFICATIONS

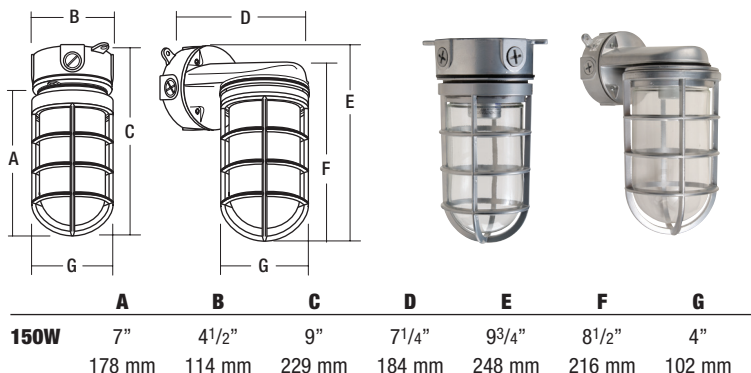
- 150 watt maximum medium base incandescent.
- Platinum silver protective finish
- VWGG has cast aluminum wall bracket with cast wiring box. Box has external lugs and four side 1/2" hubs for surface conduit and one rear 1/2" access hub
- VBGG has cast aluminum wiring box with external lugs for ceiling mount and four 1/2" hubs for surface conduit. Wiring box has top 1/2" hub for pendant mount
- All units have water/bug tight gasketing
- All units have medium base porcelain socket
- All units include clear glass protective globe with thread-on cast aluminum guard. Guard includes vandal-resistant set screw

LISTINGS

- All units listed to UL1598 for use in wet locations

150 WATT

Lugs: 5" center to center



ORDERING INFORMATION

Catalog Number	Wattage	Mounting	Weight lbs. (kg)
VBGG-150	150	Box/pendant	3 (1.36)
VWGG-150	150	Wall	3.5 (1.59)

REPLACEMENT GLOBES

Catalog Number	Description
VAMG-100	Amber
VBG-100	Blue
VBGP-100	Blue, tempered
VCGP-100	Clear, tempered
VCGPT-100	Clear, tempered w/ Tuffskin® coating
VG-15	Clear, standard, 150w
VGG-100	Blue Green
VGGP-100	Blue Green, tempered
VPG-100	Purple
VRG-100	Ruby
VRGP-100	Ruby, tempered
VRSG-100	Green

Due to our continued efforts to improve our products, product specifications are subject to change without notice.



HUBBELL
Outdoor Lighting

Hubbell Outdoor Lighting • 701 Millennium Boulevard • Greenville, SC 29607 • Phone: 864-678-1000

Due to our continued efforts to improve our products, product specifications are subject to change without notice.

© 2017 HUBBELL OUTDOOR LIGHTING, All Rights Reserved • For more information visit our website: www.hubbelloutdoor.com • Printed in USA

VAPORTITE-SPEC 1/17