

Protecting People From Electrical Shock Hazards

ArrowHart's complete offering of Ground Fault Circuit Interrupters (GFCIs) is built to meet every need in commercial, industrial and institutional settings, whether permanent or temporary – and is fully compliant with the latest UL943 standards for GFCIs



Hospital Specification Grade GFCIs
Designed for safety and reliability, Arrow Hart GFCI receptacles meet the strict standards of UL943 (GFCI) and UL498 (Hospital Grade Receptacle Standards). Plus, our broad line provides solutions including Tamper Resistant, ArrowLink Modular and NAFTA compliant versions.



Specification Grade GFCIs
Arrow Hart GFCI receptacles meet the stringent UL943 (GFCI) standards, plus our broad line provides solutions for commercial, industrial and institutional applications.

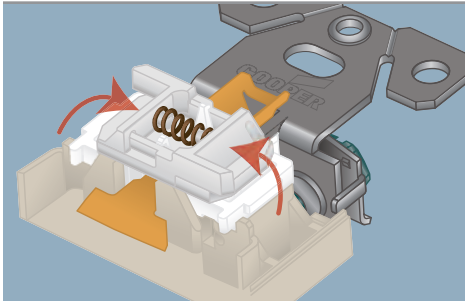


Industrial Grade Portable GFCIs
Specifically designed to protect personnel and equipment from ground fault hazards in indoor or outdoor job site applications.

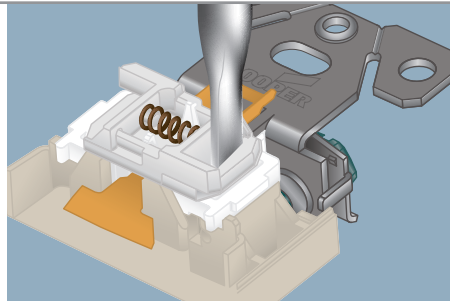


Tamper Resistant, Weather Resistant, and Tamper & Weather Resistant Receptacles

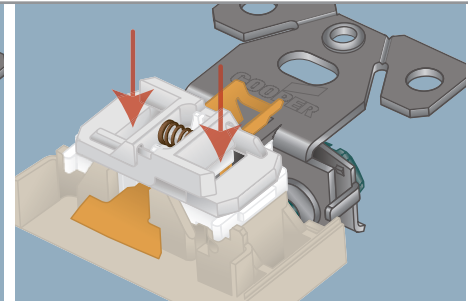
How the Tamper Resistant System Works:



Shutters restrict access in closed position.



Insertion of object in any one side will not open shutters.



Insertion of two-bladed plug or grounding plug will open shutters.



“TR” mold mark provides quick visual confirmation of tamper resistance when installed.



“WR” identifier quickly indicates during inspections that a weather resistant receptacle has been installed.



Both the “TR” mold mark and “WR” identifier are clearly visible in the finished installation, indicating double-layer protection for maximum safety.

A) Commercial Locations 2011 NEC
406.13 Guest Rooms & Guest Suites
406.14 Child Care Facilities
517.18 (C) Pediatric Locations
 Receptacles located in these areas shall be listed under tamper resistant or employ a listed tamper resistant cover.

B) Dwelling Units
2011 NEC - 406.12
 In all areas specified in 210.52 all 125-volt, 15- and 20-amp receptacles shall be listed tamper resistant receptacles.

C) Damp or Wet Locations
2011 NEC - 406.9
 All 15- and 20-amp, 125- and 250-volt non-locking receptacles installed in wet or damp locations shall be weather resistant receptacles.

Build-To-Spec

For Receptacles, Switches, GFCIs & TVSS devices

Modified at the factory to improve efficiency and speed production at the job site. Arrow Hart’s Build-To-Spec program provides customized device solutions to simplify your project and maximize your bottom line.

Sample Number:

VGF20W PSOL X Z G P

ARROW/HART™
 Base Catalog Number
 (including device color)

Add 6" leads
 PSOL = #12 AWG solid
 PSTR = #12 AWG stranded

Remove mounting screws

Remove ears

Remove ground clip

Add push-in connector**



BUILD-TO-SPEC
 CUSTOM CONFIGURED DEVICES
ARROW/HART™

Arrow Hart 20A 125V NEMA 5-20 white GFCI receptacle, with wire leads and push-in connectors, without mounting screws, ears, or grounding clip.

**For use with leaded receptacles only. Add “PSOL” to back of receptacle catalog number for 6” of #12 AWG solid or “PSTR” for 6” of #12 AWG stranded. (Example: VGF20W PSOL + Build to Spec Options).

All receptacles are bulk packed 50 pieces per carton. Minimum order quantity is 100 pieces. Orders under 500 pieces ship within 5 days with larger quantities typically within 10 days.

ArrowLink™

Arrow Hart's factory terminated ArrowLink system revolutionizes device installation, unleashing ground breaking labor savings in installation and maintenance by eliminating traditional pigtail, terminal connections and taping. Use ArrowLink on your next job to reduce labor costs, eliminate installation errors, save money and win!

Color coded terminals for consistent, reliable connections

Durable polycarbonate housing

Terminal accommodation #12-#14 AWG, solid only

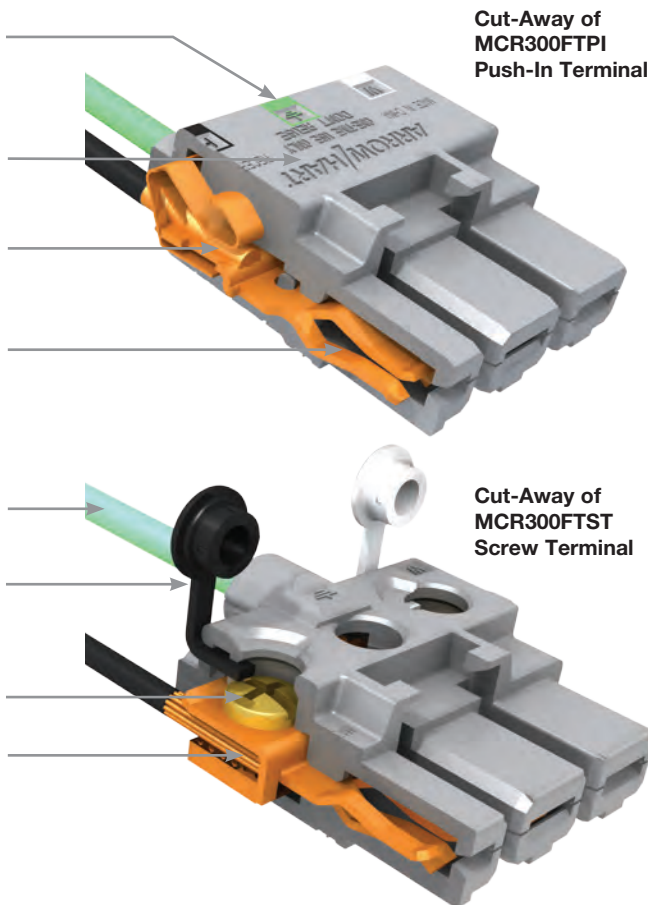
Copper alloy contacts for superior wire retention and minimized heat rise

6", #12 AWG ground lead with ring terminal and captive ground screw

Color coded terminal screws guard caps

Color coded terminal screws

Terminal accommodation #12-#14 AWG, solid or stranded



Cut-Away of
MCR300FTPI
Push-In Terminal

Cut-Away of
MCR300FTST
Screw Terminal

ArrowLink SPD Benefits



EASE OF INSTALLATION:

No more twist-on wire connectors



50% TIME SAVINGS:

SPD accelerates both rough-in & trim out installation



EFFICIENT DESIGN:

Low profile connection with feed-through capability



30% REDUCTION

in wire volume inside the box

How To Order



1. Select a device to ArrowLink enable. Catalog pages identify available products—simply add an “M” to the catalog number and the devices will be factory enabled with the ArrowLink device-side connection. (For GFCIs add “MOD” suffix)

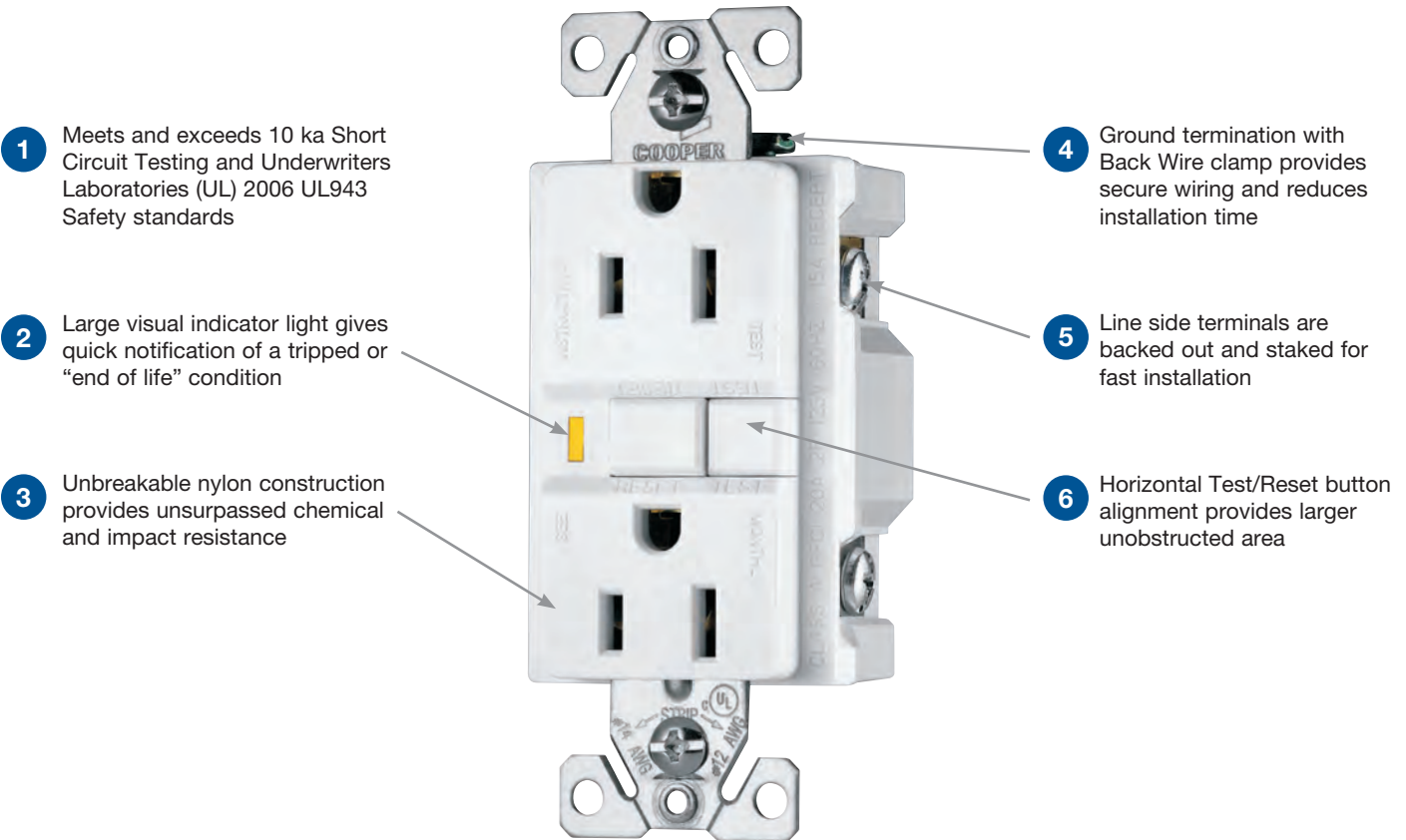
2. Choose from leaded or unleaded ArrowLink connector versions in screw-down or push-in models.

3. Place your order and get your ArrowLink devices in bulk packed boxes, shipped within 5 days of receipt of order!

ShockSentry™ GFCIs Provide State-of-the-Art, Dependable Electrical Shock Protection

In addition to being tested to the highest standards to help ensure safety, Arrow Hart GFCIs will deny power and prevent re-setting if the device is no longer able to provide safe, protected power

ShockSentry™ Ground Fault Circuit Interrupter



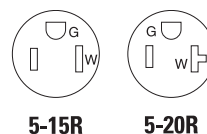
ShockSentry™ Ground Fault Circuit Interrupter

Additional Features & Benefits

- Tapered Back Wire openings handle multiple wire sizes and types for applications up to #10 AWG solid or stranded wire
- When downstream receptacles are wired from load side, a 20 amp feed-through rating offers full protection
- Test and reset buttons are color matched to provide superior aesthetics
- Longer, wider “bridge” strap provides 40% more contact area with wallboard, virtually eliminating floating installations
- Exclusive built-in wire stripper provides fast stripping of wire without tools
- Line-load miswiring protection: ShockSentry GFCI's will not provide power downstream when wired incorrectly
- Tri-combo head terminal and mounting screws

Specification Grade Ground Fault Circuit Interrupter Receptacles

2-Pole, 3-Wire Grounding
15A, 125V/AC; 20A, 125V/AC
NEMA 5-15, 5-20



Specification Grade Automatic Ground GFCIs

| Rating | A | V/AC | NEMA | Description | Color Suffix | Catalog No. |
|--------|-----|-------|---|-------------|-------------------------------------|-------------|
| 15 | 125 | 5-15R | Auto Ground Duplex GFCI, Back & Side Wire | V, W | <input type="checkbox"/> VGF15__-AG | |
| 20 | 125 | 5-20R | Duplex Receptacle, Back & Side Wire | V, W | <input type="checkbox"/> VGF20__-AG | |

Tamper Resistant Specification Grade Automatic Ground GFCIs

| Rating | A | V/AC | NEMA | Description | Color Suffix | Catalog No. |
|--------|-----|-------|-------------------------------|------------------------|---------------------------------------|-------------|
| 15 | 125 | 5-15R | Duplex GFCI, Back & Side Wire | A, B, BK, GY, LA, V, W | <input type="checkbox"/> TRVGF15__-AG | |
| 20 | 125 | 5-20R | Duplex GFCI, Back & Side Wire | A, B, BK, GY, LA, V, W | <input type="checkbox"/> TRVGF20__-AG | |

Specification Grade Combination GFCI Receptacle & Switch

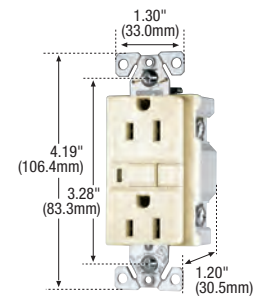
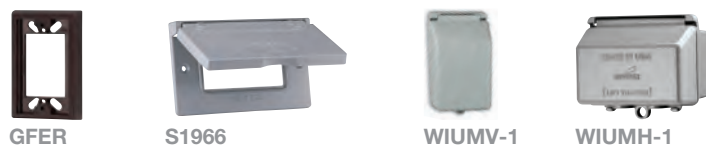
| Rating | A | V/AC | NEMA | Description | Color Suffix | Catalog No. |
|--------|-----|-------|--|-------------|---------------------------------------|-------------|
| 15 | 125 | 5-15R | GFCI Receptacle with Feed-Through Single-Pole Switch (rated 1800W @ 120V/AC, 60Hz) | V, W | <input type="checkbox"/> VGFS15__-MSP | |

Specification Grade Blank Face GFCI

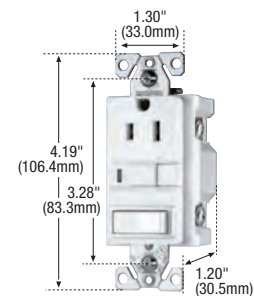
| Rating | A | V/AC | Description | Color Suffix | Catalog No. |
|--------|-----|---|-------------|-----------------------------------|-------------|
| 20 | 125 | Blank Face (Dead Front) GFCI, Rated as 1.5HP Motor Control Switch, Back & Side Wire | V, W | <input type="checkbox"/> VGFD20__ | |

Accessories for GFCIs

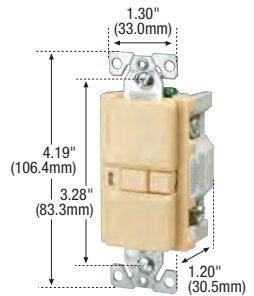
| Description | Color Suffix | Catalog No. | |
|---|-----------------|----------------------------------|---|
| GFCI 7/8" extension ring, cULus Listed | B, BK, LA, V, W | <input type="checkbox"/> GFER__ | |
| Metal self-closing horizontal 1-Gang weather protective cover, decorator opening | | <input type="checkbox"/> S1966 | • |
| While-In-Use metal weather protective standard depth 1-Gang cover, vertical mount | | <input type="checkbox"/> WIUMV-1 | • |



VGF15-AG



VGFS15-MSP



VGFD20

Color Ordering Information:

For ordering devices, include Catalog No. followed by the Color Suffix: A (Almond), B (Brown), BK (Black), GY (Gray), LA (Light Almond), V (Ivory), W (White)



Specification Information: Specification Grade GFCI: I-16, Specification Grade Combo GFCI Receptacle & Switch: I-17, Specification Grade Blank Face GFCI: I-17

Specifications and availability are subject to change without notice.

Indicates NAFTA Compliant - Page R-30

Tamper Resistant

Hospital Specification Grade Ground Fault Circuit Interrupter Receptacles

2-Pole, 3-Wire Grounding
15A, 125V/AC; 20A, 125V/AC
NEMA 5-15, 5-20

| | | Device Type | Hospital Grade Duplex GFCI 15A & 20A: VGFH Series and VGFH_F ArrowLink: MCR125_, MCR250_, MCR300_Series | Hospital Grade Tamper Resistant Duplex GFCI 15A & 20A: TRVGFH and TRVGFH_F Series ArrowLink: MCR125_, MCR250_, MCR300_Series |
|---|------------------------------------|--|--|--|
| Wiring Type | Base Device | Back & Side Wire | Back & Side Wire | Back & Side Wire |
| | ArrowLink | Integral wire leads, crimped & resistance welded | Integral wire leads, crimped & resistance welded | Integral wire leads, crimped & resistance welded |
| | ArrowLink SPD | Back Wire feed through | Back Wire feed through | Back Wire feed through |
| Testing & Code Compliance | Base Device | <ul style="list-style-type: none"> cULus Listed to UL498 and UL943, file no. E60120 Meets all UL943 (GFCI), UL498 (Receptacles), UL498 Hospital Grade and applicable CSA requirements NOM certified | <ul style="list-style-type: none"> cULus Listed to UL498 and UL943, file no. E60120 Meets all UL943 (GFCI), UL498 (Receptacles), UL498 Hospital Grade and applicable CSA requirements NOM certified | <ul style="list-style-type: none"> cULus Listed to UL498 and UL943, file no. E60120 Meets all UL943 (GFCI), UL498 (Receptacles), UL498 Hospital Grade and applicable CSA requirements NOM certified |
| | ArrowLink | <ul style="list-style-type: none"> Plug & connector cULus Listed to UL2459, file no. E325188 | <ul style="list-style-type: none"> Plug & connector cULus Listed to UL2459, file no. E325188 | <ul style="list-style-type: none"> Plug & connector cULus Listed to UL2459, file no. E325188 |
| | Combined | <ul style="list-style-type: none"> cULus Listed wiring assembly, UL file no. E326691 | <ul style="list-style-type: none"> cULus Listed wiring assembly, UL file no. E326691 | <ul style="list-style-type: none"> cULus Listed wiring assembly, UL file no. E326691 |
| Specifications: Environmental | Base Device | Flammability | Meets UL94 requirements; V2 rated | Meets UL94 requirements; V2 rated |
| | | Temperature Rating | -35°C to 66°C (-31°F to 150.8°F) | -35°C to 66°C (-31°F to 150.8°F) |
| | Arrow- Link | Flammability | Meets UL94 requirements; V2 rated | Meets UL94 requirements; V2 rated |
| | | Temperature Rating | -35°C to 66°C (-31°F to 150.8°F) | -35°C to 66°C (-31°F to 150.8°F) |
| Specifications: Electrical | Base Device | Dielectric Voltage | Withstands 2000V per UL498 | Withstands 2000V per UL498 |
| | | Current Interrupting | Yes, at full-rated current | Yes, at full-rated current |
| | | Temperature Rise | Max. 30°C (86°F) after 100 cycles of overload @ 150% of rated current (DC) | Max. 30°C (86°F) after 100 cycles of overload @ 150% of rated current (DC) |
| | | Trip Time | 0.025 seconds (Class A) | 0.025 seconds (Class A) |
| | | Frequency | 60 Hz; Voltage: 125V; Amperage: 15A/20A 20A Feed Through | 60 Hz; Voltage: 125V; Amperage: 15A/20A 20A Feed Through |
| | | Short Circuit Testing | Meets and exceeds 10 kA | Meets and exceeds 10 kA |
| | ArrowLink | Maximum Interrupting Capacity | 20 Amps | 20 Amps |
| | | Max. Working Voltage | 300V/AC | 300V/AC |
| | | Max. Continuous Current | 20A | 20A |
| | | Overload | 52.5A/AC for 10 cycles | 52.5A/AC for 10 cycles |
| | | Dielectric Voltage | Withstands 1600V per UL2459 | Withstands 1600V per UL2459 |
| | | Current Interrupting | Limited cycles at full-rated current | Limited cycles at full-rated current |
| | | Temperature Rise | Max. 50°C (122°F) while conducting 35A after 10 cycles of overload @ 52.5A/AC | Max. 50°C (122°F) while conducting 35A after 10 cycles of overload @ 52.5A/AC |
| | | | | |
| Specifications: Mechanical | Base Device Terminal Accommodation | #14 - #10 AWG | #14 - #10 AWG | |
| | ArrowLink Wire Leads | #12 AWG | #12 AWG | |
| | ArrowLink SPD Screw Terminals | Accepts #12-#14 stranded and solid wire | Accepts #12-#14 stranded and solid wire | |
| | ArrowLink SPD Ground | Integral THHN #12 AWG 6" lead with ring terminal and #10 ground screw | Integral THHN #12 AWG 6" lead with ring terminal and #10 ground screw | |
| | Voltage Rating | Permanently marked on device | Permanently marked on device | |
| Specifications: Screw Terminal Guards | ArrowLink Models Only | Material: UL recognized insulating material Dielectric Strength: 2,000V min. HWI Rating: 4 min. Relative temperature index, electrical: 80°C (176°F) Flammability: V0 (UL94) | Material: UL recognized insulating material Dielectric Strength: 2,000V min. HWI Rating: 4 min. Relative temperature index, electrical: 80°C (176°F) Flammability: V0 (UL94) | |
| Materials: | Base Device | Top Housing | Nylon | Nylon |
| | | Bottom Housing | Polycarbonate | Polycarbonate |
| | | Strap | 0.047" thick steel, zinc plated | 0.047" thick steel, zinc plated |
| | | Line Contacts | 0.030" thick brass | 0.030" thick brass |
| | | Terminal & Ground Screws | #8-32 steel, brass plated; neutral screw nickel plated, ground screw green | #8-32 steel, brass plated; neutral screw nickel plated, ground screw green |
| | | Terminal Clamps | 0.070" thick steel | 0.070" thick steel |
| | Arrow- Link | Housing | Polycarbonate | Polycarbonate |
| | | Contacts | Copper alloy | Copper alloy |
| | | Wire Leads | Solid or stranded THHN #12 AWG | Solid or stranded THHN #12 AWG |
| | Arrow- Link SPD | Housing | Polycarbonate | Polycarbonate |
| | | Contacts | Copper alloy | Copper alloy |

Protecting People From Electrical Shock Hazards

ArrowHart's complete offering of Ground Fault Circuit Interrupters (GFCIs) is built to meet every need in commercial, industrial and institutional settings, whether permanent or temporary – and is fully compliant with the latest UL943 standards for GFCIs



Hospital Specification Grade GFCIs
Designed for safety and reliability, Arrow Hart GFCI receptacles meet the strict standards of UL943 (GFCI) and UL498 (Hospital Grade Receptacle Standards). Plus, our broad line provides solutions including Tamper Resistant, ArrowLink Modular and NAFTA compliant versions.



Specification Grade GFCIs
Arrow Hart GFCI receptacles meet the stringent UL943 (GFCI) standards, plus our broad line provides solutions for commercial, industrial and institutional applications.

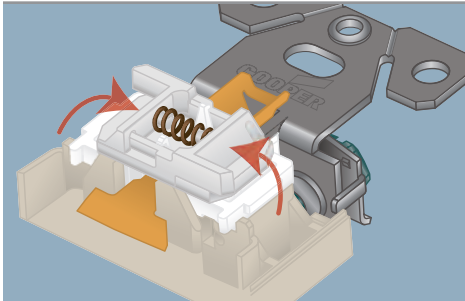


Industrial Grade Portable GFCIs
Specifically designed to protect personnel and equipment from ground fault hazards in indoor or outdoor job site applications.

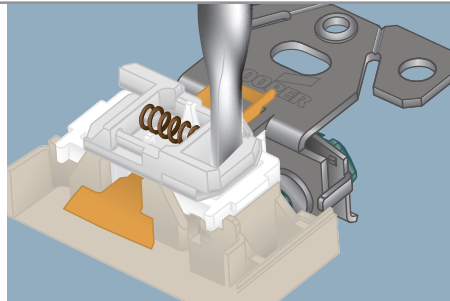


Tamper Resistant, Weather Resistant, and Tamper & Weather Resistant Receptacles

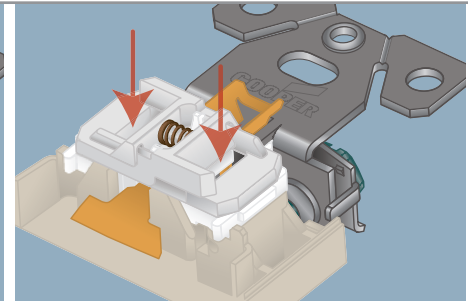
How the Tamper Resistant System Works:



Shutters restrict access in closed position.



Insertion of object in any one side will not open shutters.



Insertion of two-bladed plug or grounding plug will open shutters.



“TR” mold mark provides quick visual confirmation of tamper resistance when installed.



“WR” identifier quickly indicates during inspections that a weather resistant receptacle has been installed.



Both the “TR” mold mark and “WR” identifier are clearly visible in the finished installation, indicating double-layer protection for maximum safety.

A) Commercial Locations 2011 NEC
406.13 Guest Rooms & Guest Suites
406.14 Child Care Facilities
517.18 (C) Pediatric Locations
 Receptacles located in these areas shall be listed under tamper resistant or employ a listed tamper resistant cover.

B) Dwelling Units
2011 NEC - 406.12
 In all areas specified in 210.52 all 125-volt, 15- and 20-amp receptacles shall be listed tamper resistant receptacles.

C) Damp or Wet Locations
2011 NEC - 406.9
 All 15- and 20-amp, 125- and 250-volt non-locking receptacles installed in wet or damp locations shall be weather resistant receptacles.

Build-To-Spec

For Receptacles, Switches, GFCIs & TVSS devices

Modified at the factory to improve efficiency and speed production at the job site. Arrow Hart’s Build-To-Spec program provides customized device solutions to simplify your project and maximize your bottom line.

Sample Number:

VGF20W PSOL X Z G P

ARROW/HART™
 Base Catalog Number
 (including device color)

Add 6" leads
 PSOL = #12 AWG solid
 PSTR = #12 AWG stranded

Remove mounting screws

Remove ears

Remove ground clip

Add push-in connector**

Arrow Hart 20A 125V NEMA 5-20 white GFCI receptacle, with wire leads and push-in connectors, without mounting screws, ears, or grounding clip.



BUILD-TO-SPEC
 CUSTOM CONFIGURED DEVICES
ARROW/HART™

**For use with leaded receptacles only. Add “PSOL” to back of receptacle catalog number for 6” of #12 AWG solid or “PSTR” for 6” of #12 AWG stranded. (Example: VGF20W PSOL + Build to Spec Options).

All receptacles are bulk packed 50 pieces per carton. Minimum order quantity is 100 pieces. Orders under 500 pieces ship within 5 days with larger quantities typically within 10 days.

ArrowLink™

Arrow Hart's factory terminated ArrowLink system revolutionizes device installation, unleashing ground breaking labor savings in installation and maintenance by eliminating traditional pigtail, terminal connections and taping. Use ArrowLink on your next job to reduce labor costs, eliminate installation errors, save money and win!

Color coded terminals for consistent, reliable connections

Durable polycarbonate housing

Terminal accommodation #12-#14 AWG, solid only

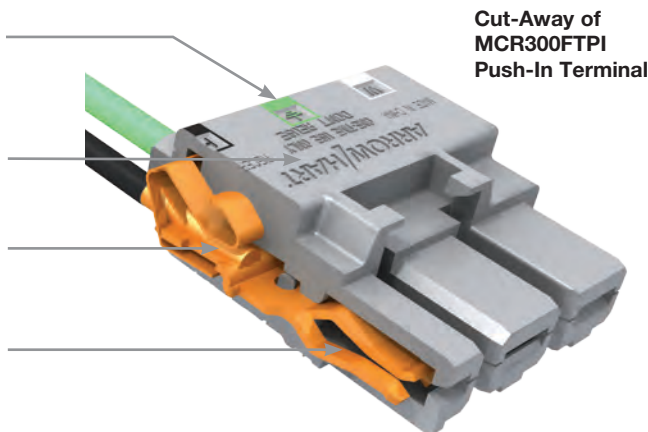
Copper alloy contacts for superior wire retention and minimized heat rise

6", #12 AWG ground lead with ring terminal and captive ground screw

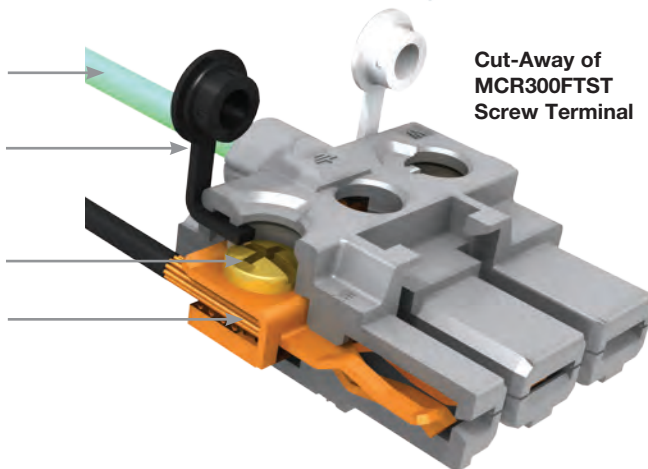
Color coded terminal screws guard caps

Color coded terminal screws

Terminal accommodation #12-#14 AWG, solid or stranded



Cut-Away of
MCR300FTPI
Push-In Terminal



Cut-Away of
MCR300FTST
Screw Terminal

ArrowLink SPD Benefits

**EASE OF INSTALLATION:**

No more twist-on wire connectors

**50% TIME SAVINGS:**

SPD accelerates both rough-in & trim out installation

**EFFICIENT DESIGN:**

Low profile connection with feed-through capability



30% REDUCTION
in wire volume inside the box

How To Order



1. Select a device to ArrowLink enable. Catalog pages identify available products—simply add an “M” to the catalog number and the devices will be factory enabled with the ArrowLink device-side connection. (For GFCIs add “MOD” suffix)

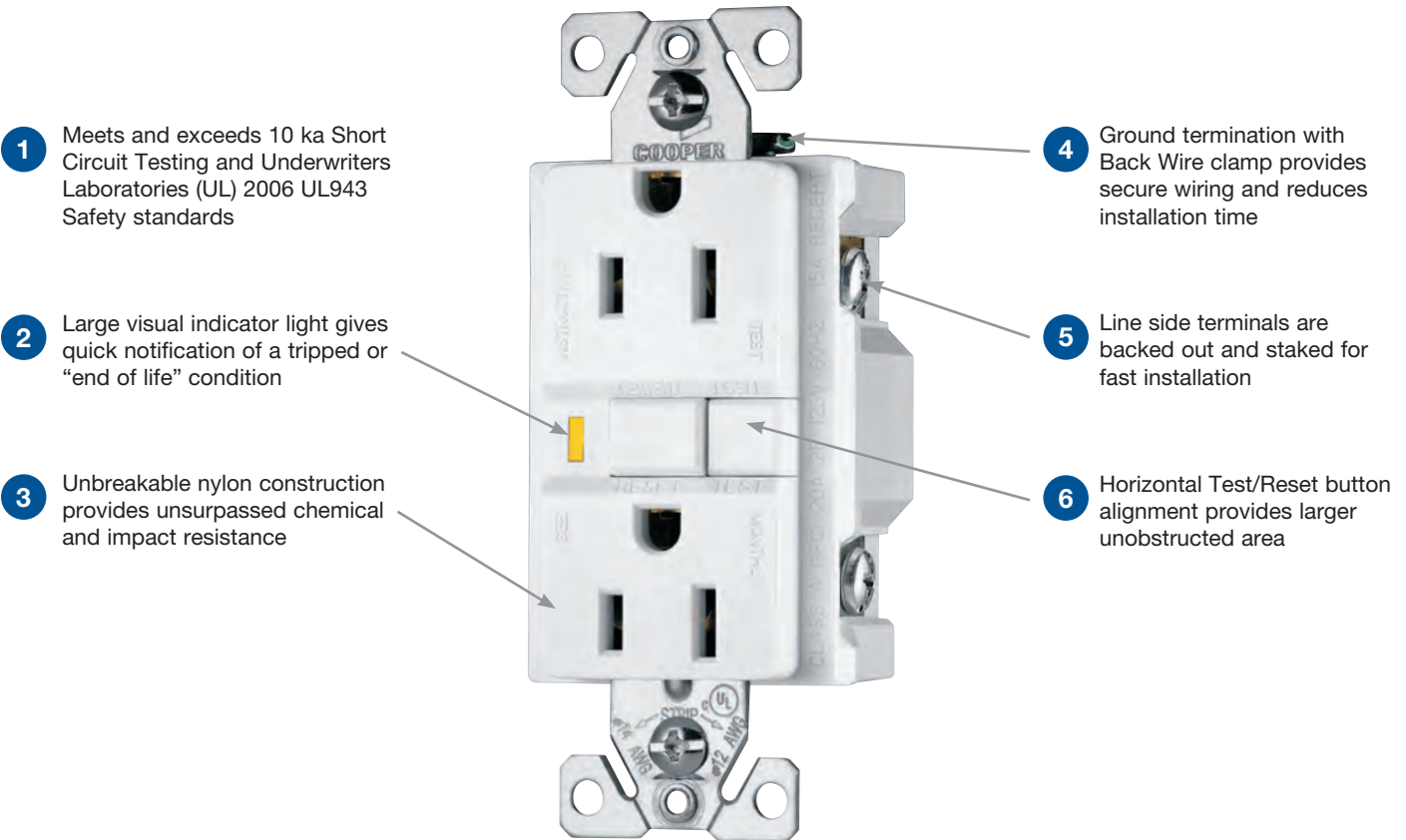
2. Choose from leaded or unleaded ArrowLink connector versions in screw-down or push-in models.

3. Place your order and get your ArrowLink devices in bulk packed boxes, shipped within 5 days of receipt of order!

ShockSentry™ GFCIs Provide State-of-the-Art, Dependable Electrical Shock Protection

In addition to being tested to the highest standards to help ensure safety, Arrow Hart GFCIs will deny power and prevent re-setting if the device is no longer able to provide safe, protected power

ShockSentry™ Ground Fault Circuit Interrupter



1 Meets and exceeds 10 ka Short Circuit Testing and Underwriters Laboratories (UL) 2006 UL943 Safety standards

2 Large visual indicator light gives quick notification of a tripped or “end of life” condition

3 Unbreakable nylon construction provides unsurpassed chemical and impact resistance

4 Ground termination with Back Wire clamp provides secure wiring and reduces installation time

5 Line side terminals are backed out and staked for fast installation

6 Horizontal Test/Reset button alignment provides larger unobstructed area

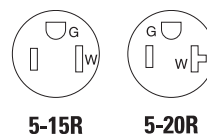
ShockSentry™ Ground Fault Circuit Interrupter

Additional Features & Benefits

- Tapered Back Wire openings handle multiple wire sizes and types for applications up to #10 AWG solid or stranded wire
- When downstream receptacles are wired from load side, a 20 amp feed-through rating offers full protection
- Test and reset buttons are color matched to provide superior aesthetics
- Longer, wider “bridge” strap provides 40% more contact area with wallboard, virtually eliminating floating installations
- Exclusive built-in wire stripper provides fast stripping of wire without tools
- Line-load miswiring protection: ShockSentry GFCI's will not provide power downstream when wired incorrectly
- Tri-combo head terminal and mounting screws

Specification Grade Ground Fault Circuit Interrupter Receptacles

2-Pole, 3-Wire Grounding
15A, 125V/AC; 20A, 125V/AC
NEMA 5-15, 5-20



Specification Grade Automatic Ground GFCIs

| Rating | A | V/AC | NEMA | Description | Color Suffix | Catalog No. |
|--------|-----|-------|---|-------------|-------------------------------------|-------------|
| 15 | 125 | 5-15R | Auto Ground Duplex GFCI, Back & Side Wire | V, W | <input type="checkbox"/> VGF15__-AG | |
| 20 | 125 | 5-20R | Duplex Receptacle, Back & Side Wire | V, W | <input type="checkbox"/> VGF20__-AG | |

Tamper Resistant Specification Grade Automatic Ground GFCIs

| Rating | A | V/AC | NEMA | Description | Color Suffix | Catalog No. |
|--------|-----|-------|-------------------------------|------------------------|---------------------------------------|-------------|
| 15 | 125 | 5-15R | Duplex GFCI, Back & Side Wire | A, B, BK, GY, LA, V, W | <input type="checkbox"/> TRVGF15__-AG | |
| 20 | 125 | 5-20R | Duplex GFCI, Back & Side Wire | A, B, BK, GY, LA, V, W | <input type="checkbox"/> TRVGF20__-AG | |

Specification Grade Combination GFCI Receptacle & Switch

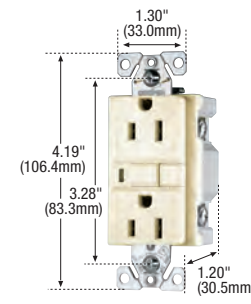
| Rating | A | V/AC | NEMA | Description | Color Suffix | Catalog No. |
|--------|-----|-------|---|-------------|---------------------------------------|-------------|
| 15 | 125 | 5-15R | GFCI Receptacle with Feed- Through Single-Pole Switch (rated 1800W @ 120V/AC, 60Hz) | V, W | <input type="checkbox"/> VGFS15__-MSP | |

Specification Grade Blank Face GFCI

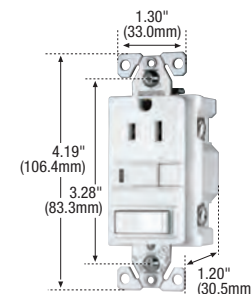
| Rating | A | V/AC | Description | Color Suffix | Catalog No. |
|--------|-----|---|-------------|-----------------------------------|-------------|
| 20 | 125 | Blank Face (Dead Front) GFCI, Rated as 1.5HP Motor Control Switch, Back & Side Wire | V, W | <input type="checkbox"/> VGFD20__ | |

Accessories for GFCIs

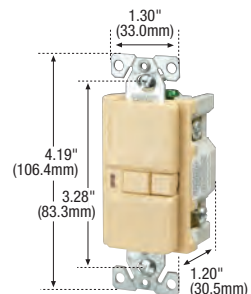
| Description | Color Suffix | Catalog No. | |
|---|-----------------|----------------------------------|---|
| GFCI 7/8" extension ring, cULus Listed | B, BK, LA, V, W | <input type="checkbox"/> GFER__ | |
| Metal self-closing horizontal 1-Gang weather protective cover, decorator opening | | <input type="checkbox"/> S1966 | • |
| While-In-Use metal weather protective standard depth 1-Gang cover, vertical mount | | <input type="checkbox"/> WIUMV-1 | • |



VGF15-AG

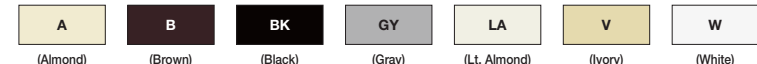


VGFS15-MSP



VGFD20

Color Ordering Information:
For ordering devices, include Catalog No. followed by the Color Suffix: A (Almond), B (Brown), BK (Black), GY (Gray), LA (Light Almond), V (Ivory), W (White)



Specification Information: Specification Grade GFCI: I-16, Specification Grade Combo GFCI Receptacle & Switch: I-17, Specification Grade Blank Face GFCI: I-17
Specifications and availability are subject to change without notice.

Indicates NAFTA Compliant - Page R-30 Tamper Resistant

Hospital Specification Grade Ground Fault Circuit Interrupter Receptacles

2-Pole, 3-Wire Grounding
15A, 125V/AC; 20A, 125V/AC
NEMA 5-15, 5-20

| | | Device Type | Hospital Grade Duplex GFCI 15A & 20A: VGFH Series and VGFH_F ArrowLink: MCR125_, MCR250_, MCR300_Series | Hospital Grade Tamper Resistant Duplex GFCI 15A & 20A: TRVGFH and TRVGFH_F Series ArrowLink: MCR125_, MCR250_, MCR300_Series |
|---|------------------------------------|--|--|--|
| Wiring Type | Base Device | Back & Side Wire | Back & Side Wire | Back & Side Wire |
| | ArrowLink | Integral wire leads, crimped & resistance welded | Integral wire leads, crimped & resistance welded | Integral wire leads, crimped & resistance welded |
| | ArrowLink SPD | Back Wire feed through | Back Wire feed through | Back Wire feed through |
| Testing & Code Compliance | Base Device | <ul style="list-style-type: none"> cULus Listed to UL498 and UL943, file no. E60120 Meets all UL943 (GFCI), UL498 (Receptacles), UL498 Hospital Grade and applicable CSA requirements NOM certified | <ul style="list-style-type: none"> cULus Listed to UL498 and UL943, file no. E60120 Meets all UL943 (GFCI), UL498 (Receptacles), UL498 Hospital Grade and applicable CSA requirements NOM certified | <ul style="list-style-type: none"> cULus Listed to UL498 and UL943, file no. E60120 Meets all UL943 (GFCI), UL498 (Receptacles), UL498 Hospital Grade and applicable CSA requirements NOM certified |
| | ArrowLink | <ul style="list-style-type: none"> Plug & connector cULus Listed to UL2459, file no. E325188 | <ul style="list-style-type: none"> Plug & connector cULus Listed to UL2459, file no. E325188 | <ul style="list-style-type: none"> Plug & connector cULus Listed to UL2459, file no. E325188 |
| | Combined | <ul style="list-style-type: none"> cULus Listed wiring assembly, UL file no. E326691 | <ul style="list-style-type: none"> cULus Listed wiring assembly, UL file no. E326691 | <ul style="list-style-type: none"> cULus Listed wiring assembly, UL file no. E326691 |
| Specifications: Environmental | Base Device | Flammability | Meets UL94 requirements; V2 rated | Meets UL94 requirements; V2 rated |
| | | Temperature Rating | -35°C to 66°C (-31°F to 150.8°F) | -35°C to 66°C (-31°F to 150.8°F) |
| | Arrow- Link | Flammability | Meets UL94 requirements; V2 rated | Meets UL94 requirements; V2 rated |
| | | Temperature Rating | -35°C to 66°C (-31°F to 150.8°F) | -35°C to 66°C (-31°F to 150.8°F) |
| Specifications: Electrical | Base Device | Dielectric Voltage | Withstands 2000V per UL498 | Withstands 2000V per UL498 |
| | | Current Interrupting | Yes, at full-rated current | Yes, at full-rated current |
| | | Temperature Rise | Max. 30°C (86°F) after 100 cycles of overload @ 150% of rated current (DC) | Max. 30°C (86°F) after 100 cycles of overload @ 150% of rated current (DC) |
| | | Trip Time | 0.025 seconds (Class A) | 0.025 seconds (Class A) |
| | | Frequency | 60 Hz; Voltage: 125V; Amperage: 15A/20A 20A Feed Through | 60 Hz; Voltage: 125V; Amperage: 15A/20A 20A Feed Through |
| | | Short Circuit Testing | Meets and exceeds 10 kA | Meets and exceeds 10 kA |
| | ArrowLink | Maximum Interrupting Capacity | 20 Amps | 20 Amps |
| | | Max. Working Voltage | 300V/AC | 300V/AC |
| | | Max. Continuous Current | 20A | 20A |
| | | Overload | 52.5A/AC for 10 cycles | 52.5A/AC for 10 cycles |
| | | Dielectric Voltage | Withstands 1600V per UL2459 | Withstands 1600V per UL2459 |
| | | Current Interrupting | Limited cycles at full-rated current | Limited cycles at full-rated current |
| | | Temperature Rise | Max. 50°C (122°F) while conducting 35A after 10 cycles of overload @ 52.5A/AC | Max. 50°C (122°F) while conducting 35A after 10 cycles of overload @ 52.5A/AC |
| | | Maximum Interrupting Capacity | 20 Amps | 20 Amps |
| Specifications: Mechanical | Base Device Terminal Accommodation | #14 - #10 AWG | #14 - #10 AWG | |
| | ArrowLink Wire Leads | #12 AWG | #12 AWG | |
| | ArrowLink SPD Screw Terminals | Accepts #12-#14 stranded and solid wire | Accepts #12-#14 stranded and solid wire | |
| | ArrowLink SPD Ground | Integral THHN #12 AWG 6" lead with ring terminal and #10 ground screw | Integral THHN #12 AWG 6" lead with ring terminal and #10 ground screw | |
| | Voltage Rating | Permanently marked on device | Permanently marked on device | |
| Specifications: Screw Terminal Guards | ArrowLink Models Only | Material: UL recognized insulating material Dielectric Strength: 2,000V min. HWI Rating: 4 min. Relative temperature index, electrical: 80°C (176°F) Flammability: V0 (UL94) | Material: UL recognized insulating material Dielectric Strength: 2,000V min. HWI Rating: 4 min. Relative temperature index, electrical: 80°C (176°F) Flammability: V0 (UL94) | |
| Materials: | Base Device | Top Housing | Nylon | Nylon |
| | | Bottom Housing | Polycarbonate | Polycarbonate |
| | | Strap | 0.047" thick steel, zinc plated | 0.047" thick steel, zinc plated |
| | | Line Contacts | 0.030" thick brass | 0.030" thick brass |
| | | Terminal & Ground Screws | #8-32 steel, brass plated; neutral screw nickel plated, ground screw green | #8-32 steel, brass plated; neutral screw nickel plated, ground screw green |
| | | Terminal Clamps | 0.070" thick steel | 0.070" thick steel |
| | Arrow- Link | Housing | Polycarbonate | Polycarbonate |
| | | Contacts | Copper alloy | Copper alloy |
| | | Wire Leads | Solid or stranded THHN #12 AWG | Solid or stranded THHN #12 AWG |
| | Arrow- Link SPD | Housing | Polycarbonate | Polycarbonate |
| | | Contacts | Copper alloy | Copper alloy |