



LED Wallpacks. Patent Pending thermal management system. 100,000 hour L70 lifespan. 5 Year Warranty.

Color: Bronze

Weight: 9.6 lbs

| | |
|---------------------|--------------|
| Project: | Type: |
| Prepared By: | Date: |

| Driver Info | | LED Info | |
|--------------|------------------|-----------------|--------------|
| Type: | Constant Current | Watts: | 37W |
| 120V: | 0.31A | Color Temp: | 5000K (Cool) |
| 208V: | 0.19A | Color Accuracy: | 82 CRI |
| 240V: | 0.17A | L70 Lifespan: | 100,000 |
| 277V: | 0.15A | Lumens: | 4,329 |
| Input Watts: | 39W | Efficacy: | 111 LPW |
| Efficiency: | 95% | | |

Technical Specifications

Listings

UL Listing:

Suitable for wet locations. Wall mount only.

DLC Listed:

This product is on the Design Lights Consortium (DLC) Qualified Products List and is eligible for rebates from DLC Member Utilities.

IESNA LM-79 & LM-80 Testing:

RAB LED luminaires have been tested by an independent laboratory in accordance with IESNA LM-79 and LM-80, and have received the Department of Energy "Lighting Facts" label.

Electrical

Driver:

Constant Current, Class 2, 450mA, 50/60 Hz. 100 - 277V, 4kV surge protection

Power Factor:

98.9% at 120V, 97.3% at 277V

THD:

7.9% at 120V, 7.8% at 277V

Optical

BUG Rating:

B1 U4 G3

Construction

Thermal Management:

Superior thermal management with die-cast aluminum heatsink

Ambient Temperature:

Suitable for use in 40°C (104°F) ambient temperatures.

Cold Weather Starting:

The minimum starting temperature is -40°F/-40°C.

Housing:

Precision die-cast aluminum housing.

Mounting:

Die-cast backbox with four (4) conduit entry points and knockout pattern for junction box or direct wall mounting. Hinged door for easy re-assembly.

Lens:

Prismatic, heat-resistant borosilicate glass

Reflector:

High-gloss white aluminum

Gaskets:

High-temperature silicone gaskets.

Finish:

Our environmentally friendly polyester powder coatings are formulated for high-durability and long-lasting color, and contains no VOC or toxic heavy metals.

Green Technology:

Mercury and UV free, and RoHS compliant. Polyester powder coat finish formulated without the use of VOC or toxic heavy metals.

LED Characteristics

Color Stability:

LED color temperature is warranted to shift no more than 200K in CCT over a 5 year period.

Color Uniformity:

RAB's range of CCT (Correlated color temperature) follows the guidelines of the American National Standard for Specifications for the Chromaticity of Solid State Lighting (SSL) Products, ANSI C78.377-2015.

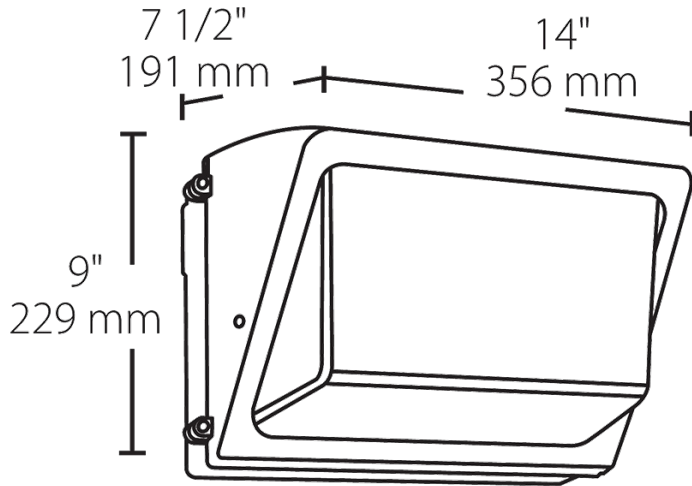
Other

Warranty:

RAB warrants that our LED products will be free from defects in materials and workmanship for a period of five (5) years from the date of delivery to the end user, including coverage of light output, color stability, driver performance and fixture finish. See our full warranty

WP2LED37

Dimensions



Features

- Affordable wallpack with traditional look
- Covers footprint of traditional HID wallpacks
- WP2LED replaces up to 175W MH
- 100,000-Hour LED lifespan
- Cutoff glare shield for "friendly" lighting

Ordering Matrix

| Family | Watts | Color Temp | Finish | White | Voltage | Photocell |
|--------|----------------------|-----------------------------------|-----------------------|-----------|--|---|
| WP2LED | 24 = 24W 37 = 37W | = Cool Y = Warm N = Neutral | = Bronze W = White | W = White | = 120-277V /480 = 480V (Only available for 37W) | /PC = 120V Button /PCS = 120V Swivel /PC2 = 277V Button /PCS2 = 277V Swivel /PCS4 = 480V Swivel |