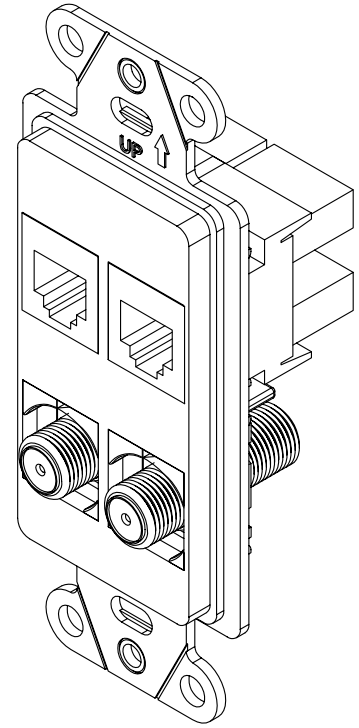


2

1

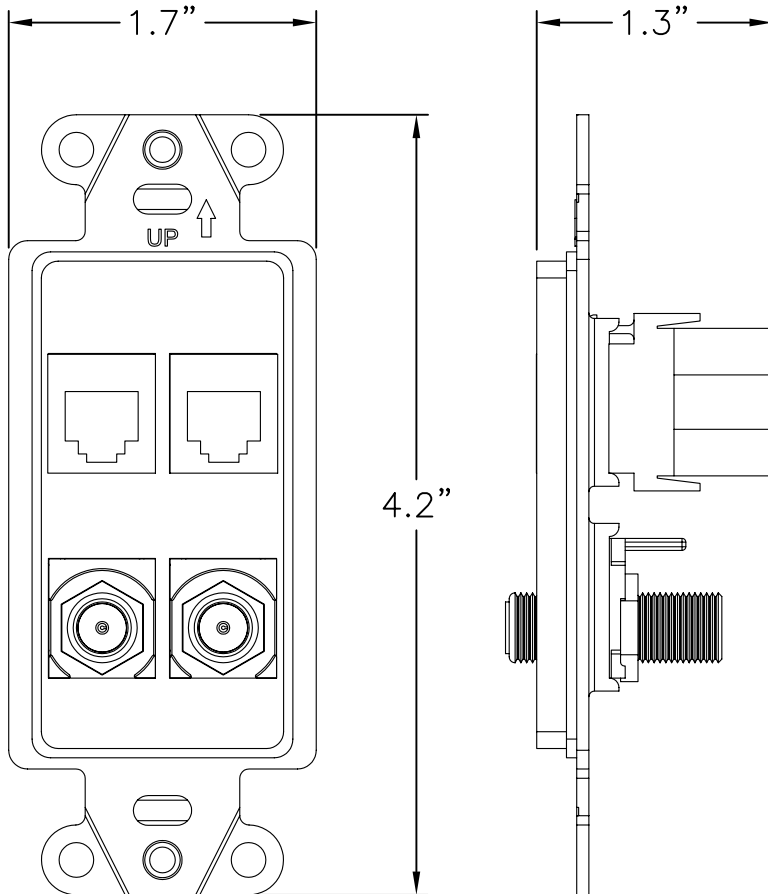
NOTES:

- 1. 2 CAT5E RJ45 AND 2 F-CONNECTORS PREASSEMBLED IN A 4 PORT DECORATOR STRAP
- 2. COLORS AVAILABLE:  
BLACK  
LIGHT ALMOND  
WHITE



B

B



A

A

PROPRIETARY AND CONFIDENTIAL  
THE INFORMATION CONTAINED  
IN THIS DRAWING IS THE SOLE  
PROPERTY OF On-Q/LEGRAND.  
ANY REPRODUCTION IN PART OR  
AS A WHOLE WITHOUT THE WRITTEN  
PERMISSION OF On-Q/LEGRAND  
IS PROHIBITED. DRAWING IS SUBJECT  
TO CHANGE WITHOUT NOTICE.

**on·Q**

**legrand**

P.O. Box 60907  
Middletown, PA 17106-0907  
1-800-321-2343

TITLE:

**PRECONFIGURED 4 PORT STRAP  
PHONE/DATA, RJ45, TV/F-CONN.**

SIZE <b>A</b>	DWG NO <b>WP3422</b>	FILE NAME <b>CD-WP3422</b>	CUST REV <b>1</b>
REVISED DATE 11/09/07	SCALE <b>NONE</b>	SHEET <b>1 OF 1</b>	

2

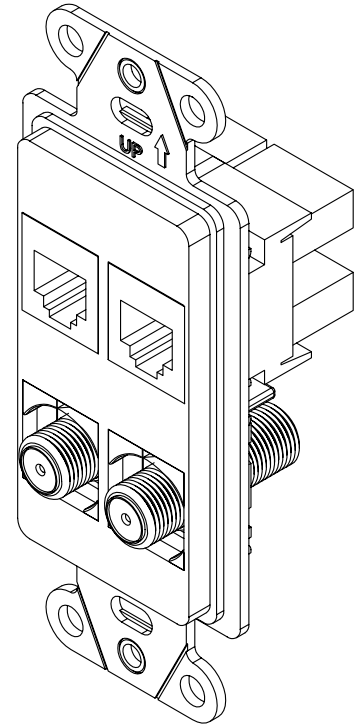
1

2

1

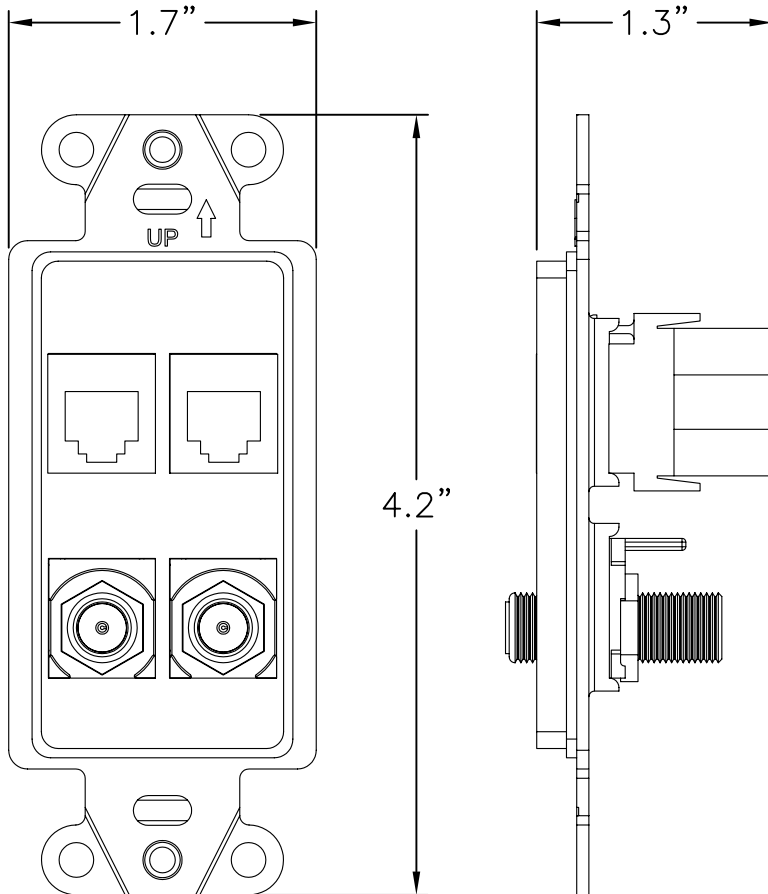
NOTES:

- 1. 2 CAT5E RJ45 AND 2 F-CONNECTORS PREASSEMBLED IN A 4 PORT DECORATOR STRAP
- 2. COLORS AVAILABLE:  
BLACK  
LIGHT ALMOND  
WHITE



B

B



A

A

PROPRIETARY AND CONFIDENTIAL  
THE INFORMATION CONTAINED  
IN THIS DRAWING IS THE SOLE  
PROPERTY OF On-Q/LEGRAND.  
ANY REPRODUCTION IN PART OR  
AS A WHOLE WITHOUT THE WRITTEN  
PERMISSION OF On-Q/LEGRAND  
IS PROHIBITED. DRAWING IS SUBJECT  
TO CHANGE WITHOUT NOTICE.



P.O. Box 60907  
Middletown, PA 17106-0907  
1-800-321-2343

TITLE:

**PRECONFIGURED 4 PORT STRAP  
PHONE/DATA, RJ45, TV/F-CONN.**

SIZE <b>A</b>	DWG NO WP3422	FILE NAME CD-WP3422	CUST REV 1
REVISED DATE 11/09/07	SCALE NONE	SHEET 1 OF 1	

2

1