

# H-MOSS® Controls Passive Infrared Wall Switches

# HUBBELL

## Features

- Designed for use on 120 AC circuits, no neutral required, fast retrofits
- Matching wallplate included

## Ordering Information

|   |              |                |
|---|--------------|----------------|
| Description                                       | UPC Number   | Catalog Number |
| Manual adjusting; auto ON operation; 120V AC only | 783585256221 | WS1000W        |

## Listings

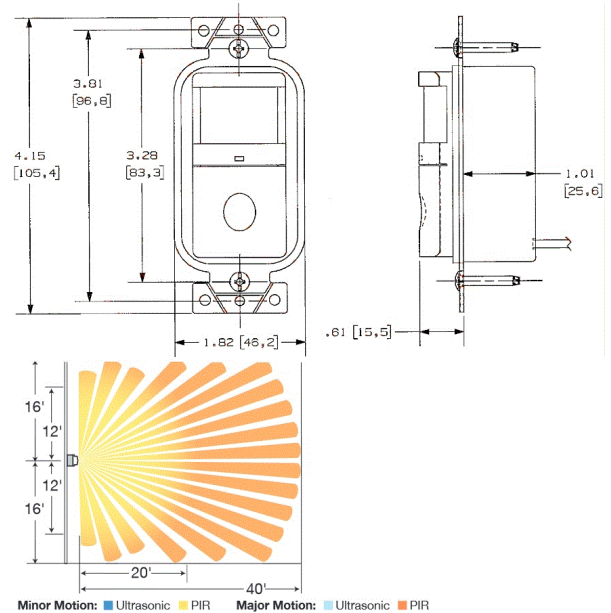
cULus listed to UL 773A

## Specifications

|                 |  |
|-----------------|--|
| Housing         | Flame retardant UL 94 V-0 ABS                |
| Lens            | Polyethylene                                 |
| Dimensions      | Face 2.59"H x 1.30"W, 0.61"D (from wall out) |
| Mounting Height | 42 to 54 inches above floor                  |
| Mounting Strap  | Steel  |

## Performance

|                           |  |
|---------------------------|--|
| <b>Controls</b>           |  |
| Front Press Switch        | ON/OFF   |
| Service Switch            | OFF (service); ON (normal operation)   |
| Time Delay                | Manual 20 seconds to 30 minutes  |
| <b>Electrical</b>         |  |
| Load Capacity             | Incandescent - 0 to 1000 watts, 120V; Ballast - 0 to 1000 watts, 277V; Horsepower rating 1/6 |
| <b>Environmental</b>      |  |
| Operating Temperature     | 32°F to 122°F (0°C to 50°C) with rate of change not exceeding 20°F(11°C) per hour            |
| Storage                   | -40°F to 150°F (-40°C to 65°C); 20% to 90% non condensing relative humidity                  |
| <b>Sensing Indicators</b> |  |
| Passive Infrared          | Red LED  |



## Complementary Products

|                   |       |
|-------------------|-------|
| SS Wallplate      | SS26  |
| Snap-On Wallplate | RCW1W |

## Online Resources

- Customer Use Drawing
- eCatalog
- Installation Instructions

Dimensions in Inches (mm)

Hubbell Wiring Device-Kellems • Hubbell Incorporated (Delaware) • 40 Waterview Drive • Shelton, CT 06484

Phone (800) 288-6000 • Fax (800) 255-1031 • Specifications subject to change without notice.

