



Color: Bronze

Weight: 7.5 lbs

Project:

Type:

Prepared By:

Date:

### Driver Info

Type	Constant Current
120V	1.34A/1.19A/1.02A
208V	0.77A/0.68A/0.58A
240V	0.67A/0.60A/0.50A
277V	0.60A/0.52A/0.46A
Input Watts	116.4-160.9W

### LED Info

Watts	160/140/120W
Color Temp	3000K/4000K/5000K
Color Accuracy	83-86 CRI
L70 Lifespan	100,000 Hours
Lumens	17,458-24,168 lm
Efficacy	133.9-165.3 lm/W

## Technical Specifications

### Field Adjustability

#### Field Adjustable:

Field Adjustable Light Output:  
130W/110W/95W (factory default 130W)  
Color temperature selectable 3000K, 4000K and 5000K (factory default 4000K)

### Compliance

#### UL Listed:

Suitable for wet locations

#### IESNA LM-79 & LM-80 Testing:

RAB LED luminaires and LED components have been tested by an independent laboratory in accordance with IESNA LM-79 and LM-80.

#### IP Rating:

Ingress protection rating of IP65 for dust and water

#### DLC Listed:

This product is listed by Design Lights Consortium (DLC) as an ultra-efficient premium product that qualifies for the highest tier of rebates from DLC Member Utilities. Designed to meet DLC 5.1 requirements.  
DLC Product Code: S-AOKIJL

### Electrical

#### Driver:

Constant Current, Class 1, 120-277V, 50/60 Hz  
160W: 120V: 1.34A 208V: 0.77A, 240V: 0.67A, 277V: 0.60A  
140W: 120V: 1.19A 208V: 0.68A, 240V: 0.60A, 277V: 0.52A  
120W: 120V: 1.02A 208V: 0.58A, 240V: 0.50A, 277V: 0.46A

#### Dimming Driver:

Driver includes dimming control wiring for 0-10V dimming systems. Requires separate 0-10V DC dimming circuit. Dims down to 10%.

#### THD:

160W: 3.1% at 120V, 5.9% at 277V  
140W: 3.0% at 120V, 8.6% at 277V  
120W: 2.7% at 120V, 10.4% at 277V

#### Power Factor:

160W: 99.8% at 120V, 95.2% at 277V  
140W: 99.7% at 120V, 93.3% at 277V  
120W: 99.6% at 120V, 90.7% at 277V

#### Photocell:

Integrated photocell included with on/off switch

### Optical

#### NEMA Type:

NEMA Beam Spread of 7H x 7V

### LED Characteristics

#### LEDs:

Long-life, high-efficacy, surface-mount LEDs

#### Color Uniformity:

RAB's range of Correlated Color Temperature follows the guidelines of the American National Standard for Specifications for the Chromaticity of Solid State Lighting (SSL) Products, ANSI C78.377-2017.

### Performance

#### Lifespan:

100,000-Hour LED lifespan based on IES LM-80 results and TM-21 calculations

#### Wattage Equivalency:

160W: Replaces up to 750W Metal Halide (MH) or 400W High Pressure Sodium (HPS)  
140W: Replaces up to 750W Metal Halide (MH) or 400W High Pressure Sodium (HPS)  
120W: Replaces up to 750W Metal Halide (MH) or 400W High Pressure Sodium (HPS)

### Construction

#### Cold Weather Starting:

The minimum starting temperature is -40°C (-40°F)

#### Maximum Ambient Temperature:

Suitable for use in up to 40°C (104°F)

## Technical Specifications (continued)

**Housing:**

Die-cast aluminum

**Mounting:**

Trunnion with tilt angle in 30° increments

**Tilt Increment:**

-90° to +90°

**Lens:**

Tempered glass

**Reflector:**

Polyethylene Terephthalate (PET)

**Effective Projected Area:**

EPA = 0.06

**Finish:**

Formulated for high durability and long-lasting color

**Green Technology:**

Mercury and UV free. RoHS-compliant components.

**Other****5 Yr Limited Warranty:**

The RAB 5-year, limited warranty covers light output, driver performance and paint finish. RAB's warranty is subject to all terms and conditions found at [rablighting.com/warranty](http://rablighting.com/warranty).

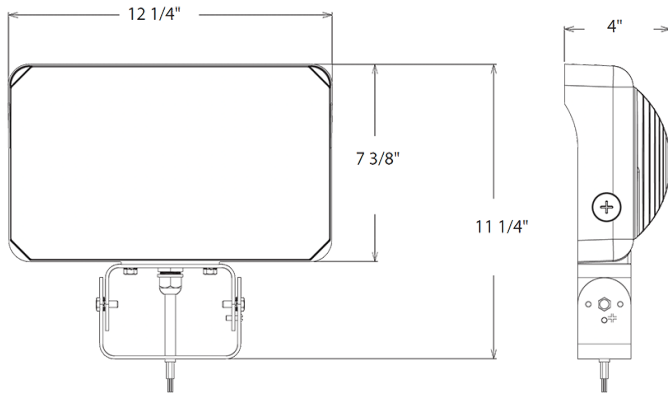
**Note:**

All values are typical (tolerance +/- 10%)

**Buy American Act Compliance:**

RAB values USA manufacturing! Upon request, RAB may be able to manufacture this product to be compliant with the Buy American Act (BAA). Please contact customer service to request a quote for the product to be made BAA compliant.

## Dimensions



## Features

- 100,000-Hour LED lifespan
- IP65 Rated
- 5-Year, limited warranty

## Ordering Matrix

Family	Wattages	Mounting	Color Temp	Finish	Driver	Options
X34	XXL	T				
	L = 90/80/70W XL = 130/110/95W XXL = 160/140/120W	Blank = Slipfitter T = Trunnion	Blank = 3000K/4000K/5000K Adjustable	Blank = Bronze W = White	Blank = 120-277V, 0-10V Dimming	Blank = Selectable On/Off Photocell



Color: Bronze

Weight: 7.5 lbs

Project:

Type:

Prepared By:

Date:

### Driver Info

Type	Constant Current
120V	1.34A/1.19A/1.02A
208V	0.77A/0.68A/0.58A
240V	0.67A/0.60A/0.50A
277V	0.60A/0.52A/0.46A
Input Watts	116.4-160.9W

### LED Info

Watts	160/140/120W
Color Temp	3000K/4000K/5000K
Color Accuracy	83-86 CRI
L70 Lifespan	100,000 Hours
Lumens	17,458-24,168 lm
Efficacy	133.9-165.3 lm/W

## Technical Specifications

### Field Adjustability

#### Field Adjustable:

Field Adjustable Light Output:  
130W/110W/95W (factory default 130W)  
Color temperature selectable 3000K, 4000K and 5000K (factory default 4000K)

### Compliance

#### UL Listed:

Suitable for wet locations

#### IESNA LM-79 & LM-80 Testing:

RAB LED luminaires and LED components have been tested by an independent laboratory in accordance with IESNA LM-79 and LM-80.

#### IP Rating:

Ingress protection rating of IP65 for dust and water

#### DLC Listed:

This product is listed by Design Lights Consortium (DLC) as an ultra-efficient premium product that qualifies for the highest tier of rebates from DLC Member Utilities. Designed to meet DLC 5.1 requirements.  
DLC Product Code: S-AOKIJL

### Electrical

#### Driver:

Constant Current, Class 1, 120-277V, 50/60 Hz  
160W: 120V: 1.34A 208V: 0.77A, 240V: 0.67A, 277V: 0.60A  
140W: 120V: 1.19A 208V: 0.68A, 240V: 0.60A, 277V: 0.52A  
120W: 120V: 1.02A 208V: 0.58A, 240V: 0.50A, 277V: 0.46A

#### Dimming Driver:

Driver includes dimming control wiring for 0-10V dimming systems. Requires separate 0-10V DC dimming circuit. Dims down to 10%.

#### THD:

160W: 3.1% at 120V, 5.9% at 277V  
140W: 3.0% at 120V, 8.6% at 277V  
120W: 2.7% at 120V, 10.4% at 277V

#### Power Factor:

160W:99.8% at 120V, 95.2% at 277V  
140W: 99.7% at 120V, 93.3% at 277V  
120W: 99.6% at 120V, 90.7% at 277V

#### Photocell:

Integrated photocell included with on/off switch

### Optical

#### NEMA Type:

NEMA Beam Spread of 7H x 7V

### LED Characteristics

#### LEDs:

Long-life, high-efficacy, surface-mount LEDs

#### Color Uniformity:

RAB's range of Correlated Color Temperature follows the guidelines of the American National Standard for Specifications for the Chromaticity of Solid State Lighting (SSL) Products, ANSI C78.377-2017.

### Performance

#### Lifespan:

100,000-Hour LED lifespan based on IES LM-80 results and TM-21 calculations

#### Wattage Equivalency:

160W: Replaces up to 750W Metal Halide (MH) or 400W High Pressure Sodium (HPS)  
140W: Replaces up to 750W Metal Halide (MH) or 400W High Pressure Sodium (HPS)  
120W: Replaces up to 750W Metal Halide (MH) or 400W High Pressure Sodium (HPS)

### Construction

#### Cold Weather Starting:

The minimum starting temperature is -40°C (-40°F)

#### Maximum Ambient Temperature:

Suitable for use in up to 40°C (104°F)

## Technical Specifications (continued)

**Housing:**

Die-cast aluminum

**Mounting:**

Trunnion with tilt angle in 30° increments

**Tilt Increment:**

-90° to +90°

**Lens:**

Tempered glass

**Reflector:**

Polyethylene Terephthalate (PET)

**Effective Projected Area:**

EPA = 0.06

**Finish:**

Formulated for high durability and long-lasting color

**Green Technology:**

Mercury and UV free. RoHS-compliant components.

**Other****5 Yr Limited Warranty:**

The RAB 5-year, limited warranty covers light output, driver performance and paint finish. RAB's warranty is subject to all terms and conditions found at [rablighting.com/warranty](http://rablighting.com/warranty).

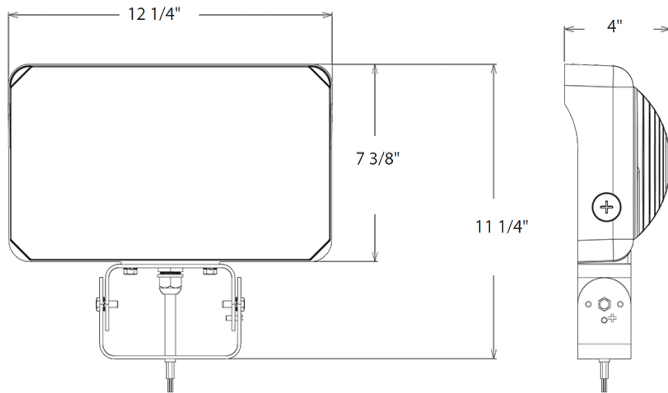
**Note:**

All values are typical (tolerance +/- 10%)

**Buy American Act Compliance:**

RAB values USA manufacturing! Upon request, RAB may be able to manufacture this product to be compliant with the Buy American Act (BAA). Please contact customer service to request a quote for the product to be made BAA compliant.

## Dimensions



## Features

- 100,000-Hour LED lifespan
- IP65 Rated
- 5-Year, limited warranty

## Ordering Matrix

Family	Wattages	Mounting	Color Temp	Finish	Driver	Options
X34	XXL	T				
	L = 90/80/70W XL = 130/110/95W XXL = 160/140/120W	Blank = Slipfitter T = Trunnion	Blank = 3000K/4000K/5000K Adjustable	Blank = Bronze W = White	Blank = 120-277V, 0-10V Dimming	Blank = Selectable On/Off Photocell