



Powering Business Worldwide

pe.eaton.com

Screw connection single level-through-feed

XBUT4RD

UPC:782116904891

Dimensions:

- **Height:** 2.5 IN
- **Length:** .244 IN
- **Width:** .01 IN

Weight:.01 LB

Warranties:

- 1 year

Specifications:

- **Type:** IEC-XB Series
- **Amperage Rating:** 41A (IEC), 30A (EN), 38A (EN), 30A (UL)
- **Voltage Rating:** IEC 800V, EN 700V, UL 600V
- **Maximum Wire Size:** 10 AWG/4 mm²
- **Wire Size:** #26-10 AWG
- **Color:** Red

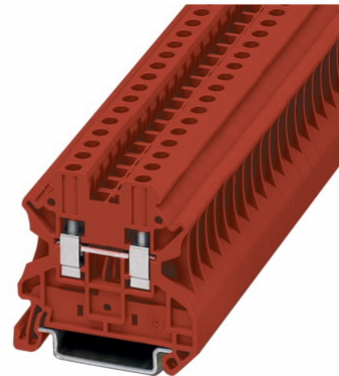
Supporting documents:

- [XB IEC TERMINAL BLOCKS](#)
- [Eatons Volume 7-Logic Control, Operator Interface and Connectivity Solutions](#)
- [XB IEC terminal blocks-versatility, quality, and reliability](#)
- [Eaton Specification Sheet - XBUT4RD](#)

Certifications:

- UL Listed
- CSA Certified

Product compliance: No Data





Powering Business Worldwide

pe.eaton.com

Screw connection single level-through-feed

XBUT4RD

UPC:782116904891

Dimensions:

- **Height:** 2.5 IN
- **Length:** .244 IN
- **Width:** .01 IN

Weight:.01 LB

Warranties:

- 1 year

Specifications:

- **Type:** IEC-XB Series
- **Amperage Rating:** 41A (IEC), 30A (EN), 38A (EN), 30A (UL)
- **Voltage Rating:** IEC 800V, EN 700V, UL 600V
- **Maximum Wire Size:** 10 AWG/4 mm²
- **Wire Size:** #26-10 AWG
- **Color:** Red

Supporting documents:

- [XB IEC TERMINAL BLOCKS](#)
- [Eatons Volume 7-Logic Control, Operator Interface and Connectivity Solutions](#)
- [XB IEC terminal blocks-versatility, quality, and reliability](#)
- [Eaton Specification Sheet - XBUT4RD](#)

Certifications:

- UL Listed
- CSA Certified

Product compliance: No Data

