

COOPER LIGHTING - LUMARK®

DESCRIPTION

Computer-designed optics and precise aiming make the Eagle XL the right choice for amateur or professional sports facilities. U.L. listed for wet locations. CSA certified.

Catalog #		Type
Project		
Comments		Date
Prepared by		

SPECIFICATION FEATURES

Construction

AIMING QUADRANT: Vertical aiming quadrant with repositioning stop combines with horizontal aiming protractor to allow pre-aiming while pole is on the ground.
SOCKET HOUSING: Die-cast socket housing has silicon gasket to keep out contaminants.

Electrical

BALLAST HOUSING: Rugged aluminum ballast housing is finished in corrosion-resistant dark bronze polyester powder coat.
BALLAST COMPARTMENT: Ballast/capacitor compartment provides cooler operation and extended component life.

Optical

REFLECTOR: Computer-designed spun-aluminum reflector produces repeatable beam distribution.
LENS: 1/8" tempered, heat- and shock-resistant lens sealed with closed-cell neoprene gasketing protects optics from dust and contaminants and is hinged for easy access.



XL EAGLE

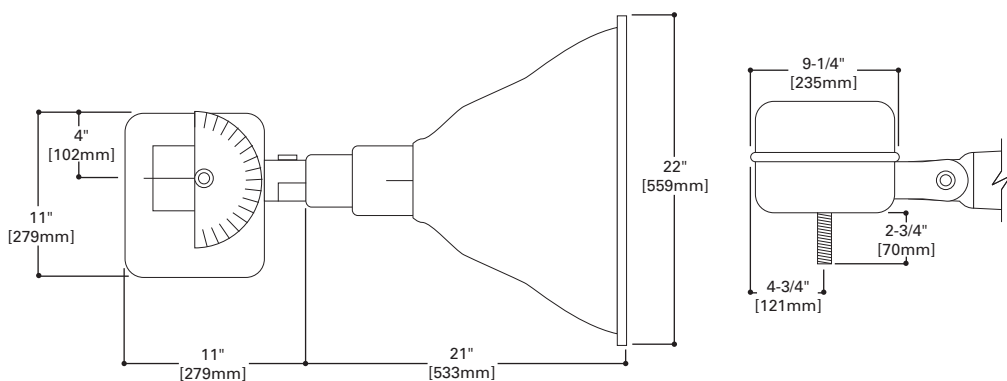
1000 - 1500W

Metal Halide

High Pressure Sodium

SPORTS FLOODLIGHTING

DIMENSIONS



TECHNICAL DATA

U.L. Wet Location Listed
 CSA Certified

ENERGY DATA

CWA Ballast Input Watts
 1000W HPS HPF (1100 Watts)
 1000W MH HPF (1080 Watts)
 1500W MH HPF (1625 Watts)

EPA

Effective Projected Area: 2.45

SHIPPING DATA

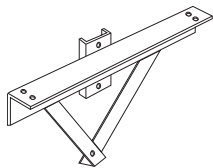
Approximate Net Weight:
 45 lbs. (20 kgs.)



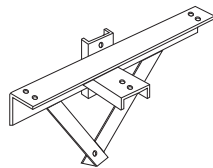
PHOTOMETRICS

Lamp Wattage	Lamp Type	NEMA Beam Type	Beam Spread H x V	Definition of NEMA Beam Type Classifications	
				Type	Beam Spread
1000	High Pressure Sodium	3	44° x 44°	2	18° up to 29°
1000	High Pressure Sodium	4	62° x 62°	3	29° up to 46°
1000	High Pressure Sodium	5	100° x 100°	4	46° up to 70°
1000	High Pressure Sodium	6	106° x 106°	5	70° up to 100°
1000	Metal Halide	2	27° x 27°	6	100° up to 130°
1000	Metal Halide	3	40° x 40°		
1000	Metal Halide	4	70° x 70°		
1000	Metal Halide	5	74° x 74°		
1000	Metal Halide	6	110° x 110°		
1500	Metal Halide	2	27° x 27°		
1500	Metal Halide	3	40° x 40°		
1500	Metal Halide	4	70° x 70°		
1500	Metal Halide	5	74° x 74°		
1500	Metal Halide	6	110° x 110°		

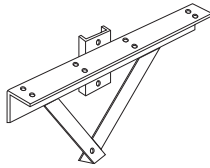
MOUNTING ACCESSORIES (MOUNTING HARDWARE NOT INCLUDED)



S2C2WP (EPA .9)
Two-in-line crossarm



S3C3WPM (EPA 3.6)
Three-in-line offset crossarm



S4C4WP (EPA 4.5)
Four-in-line crossarm

ORDERING INFORMATION

Sample Number: HPXL-T3-1000-MT

Lamp Type MH=Metal Halide HP=High Pressure Sodium Series XL= Eagle XL	Distribution T2=Type II T3=Type III T4=Type IV T5=Type V T6= Type VI	Lamp Wattage ¹ 1000=1000W 1500=1500W ²	Voltage ³ 120V=120V 208V=208V 240V=240V 277V=277V 347V= 347V 480V= 480V MT= Multi-Tap, ⁴ wired 277V TT= Triple-Tap, ⁵ wired 347V	Options C3=3' Cord with no plug (Specify ⁶ Voltage) F1=Single Fuse (120, 277 or 347V only) F2= Double Fuse (208, 240 or 480V only) LL= Lamp Included ⁷	Accessories ⁸ S/XL=Slipfitter Mount, Field Installed (Fits 2-3/8" OD Pipe) VS/XL=Vandal Shield HD/XL=Heavy-Duty Shroud TV/XL=Top Visor S2C2WP= Two-In-Line Crossarm for Wood Pole (EPA .9) S3C3WPM= Three-In-Line Offset Crossarm for Wood Pole (EPA 3.6) S4C4WP= Four-In-Line Crossarm for Wood Pole (EPA 4.5) WB/XL= Wood Crossarm Bolt	

- Notes: 1 All lamps are mogul-base. Lamp not included. HP 1000W not available in T2 Distribution.
 2 Metal Halide only.
 3 Products also available in non-US voltages and 50HZ for international markets.
 4 Multi-Tap ballast 120/208/240/277V wired 277V.
 5 Triple-Tap ballast 120/277/347V wired 347V.
 6 Specify desired length in unit of feet, example, C6 for 6' cord.
 7 Lamp is shipped separate from luminaire. Lamp is Cooper designated product based on luminaire requirements. Specified lamps must be ordered as a separate line item.
 8 Order separately.

STOCK SAMPLE NUMBER: (NO REFLECTOR - BALLAST POD ONLY)

SAMPLE NUMBER: MHXL-3-1000-MT

Lamp Type MH=Metal Halide	Series XL=Eagle XL	Distribution ¹ 3=Type III 4=Type IV 5=Type V 6=Type VI	Lamp Wattage 1000=1000W 1500=1500W	Voltage MT=Multi-Tap

- Notes:
 1 Type VI available in 1000W only.
 Options not available with stock products. Order Accessories as separate items for field installation.
 Refer to standard ordering information to add options and accessories. Refer to In-Stock Guide for availability.

STOCK SAMPLE NUMBER: (INCLUDED REFLECTOR AND DOOR)

SAMPLE NUMBER: MHXL-T4-1000-480V

Lamp Type MH=Metal Halide	Series XL=Eagle XL	Distribution ¹ T4=Type IV T5=Type V	Lamp Wattage 1000=1000W 1500=1500W	Voltage 480V=480V

- Notes:
 1 Type IV available in 1500W only.
 Options not available with stock products. Order Accessories as separate items for field installation.
 Refer to standard ordering information to add options and accessories. Refer to In-Stock Guide for availability.

COOPER LIGHTING - LUMARK®

DESCRIPTION

Computer-designed optics and precise aiming make the Eagle XL the right choice for amateur or professional sports facilities. U.L. listed for wet locations. CSA certified.

Catalog #		Type
Project		
Comments		Date
Prepared by		

SPECIFICATION FEATURES

Construction

AIMING QUADRANT: Vertical aiming quadrant with repositioning stop combines with horizontal aiming protractor to allow pre-aiming while pole is on the ground.
SOCKET HOUSING: Die-cast socket housing has silicon gasket to keep out contaminants.

Electrical

BALLAST HOUSING: Rugged aluminum ballast housing is finished in corrosion-resistant dark bronze polyester powder coat.
BALLAST COMPARTMENT: Ballast/capacitor compartment provides cooler operation and extended component life.

Optical

REFLECTOR: Computer-designed spun-aluminum reflector produces repeatable beam distribution.
LENS: 1/8" tempered, heat- and shock-resistant lens sealed with closed-cell neoprene gasketing protects optics from dust and contaminants and is hinged for easy access.



XL EAGLE

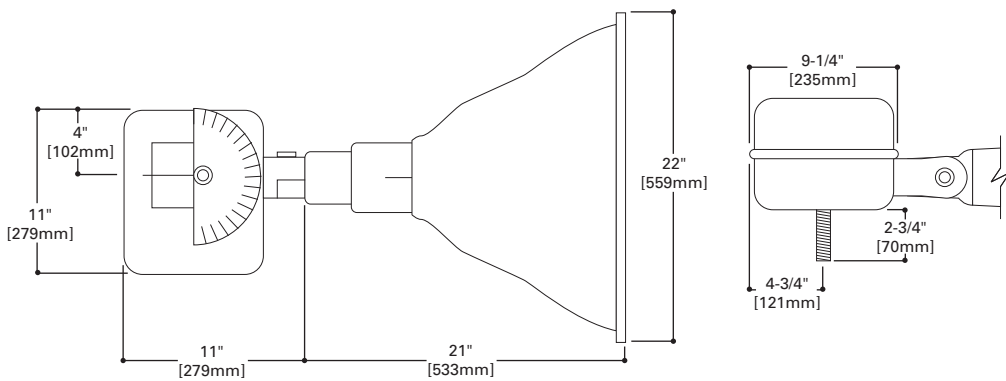
1000 - 1500W

Metal Halide

High Pressure Sodium

SPORTS FLOODLIGHTING

DIMENSIONS



TECHNICAL DATA

U.L. Wet Location Listed
 CSA Certified

ENERGY DATA

CWA Ballast Input Watts
 1000W HPS HPF (1100 Watts)
 1000W MH HPF (1080 Watts)
 1500W MH HPF (1625 Watts)

EPA

Effective Projected Area: 2.45

SHIPPING DATA

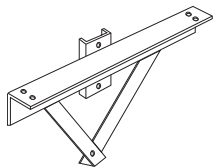
Approximate Net Weight:
 45 lbs. (20 kgs.)



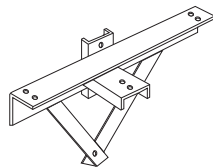
PHOTOMETRICS

Lamp Wattage	Lamp Type	NEMA Beam Type	Beam Spread H x V	Definition of NEMA Beam Type Classifications	
				Type	Beam Spread
1000	High Pressure Sodium	3	44° x 44°	2	18° up to 29°
1000	High Pressure Sodium	4	62° x 62°	3	29° up to 46°
1000	High Pressure Sodium	5	100° x 100°	4	46° up to 70°
1000	High Pressure Sodium	6	106° x 106°	5	70° up to 100°
1000	Metal Halide	2	27° x 27°	6	100° up to 130°
1000	Metal Halide	3	40° x 40°		
1000	Metal Halide	4	70° x 70°		
1000	Metal Halide	5	74° x 74°		
1000	Metal Halide	6	110° x 110°		
1500	Metal Halide	2	27° x 27°		
1500	Metal Halide	3	40° x 40°		
1500	Metal Halide	4	70° x 70°		
1500	Metal Halide	5	74° x 74°		
1500	Metal Halide	6	110° x 110°		

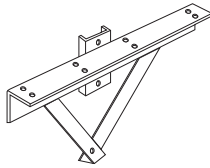
MOUNTING ACCESSORIES (MOUNTING HARDWARE NOT INCLUDED)



S2C2WP (EPA .9)
Two-in-line crossarm



S3C3WPM (EPA 3.6)
Three-in-line offset crossarm



S4C4WP (EPA 4.5)
Four-in-line crossarm

ORDERING INFORMATION

Sample Number: HPXL-T3-1000-MT



Lamp Type
MH=Metal Halide
HP=High Pressure Sodium

Series
XL: Eagle XL

Distribution
T2=Type II
T3=Type III
T4=Type IV
T5=Type V
T6=Type VI

Lamp Wattage ¹
1000=1000W
1500=1500W²

Voltage ³
120V=120V
208V=208V
240V=240V
277V=277V
347V=347V
480V=480V
MT: Multi-Tap, ⁴
 wired 277V
TT: Triple-Tap, ⁵
 wired 347V

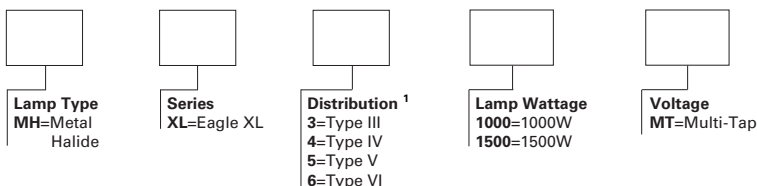
Options
C3=3' Cord with no plug (Specify ⁶
 Voltage)
F1=Single Fuse (120, 277 or 347V
 only)
F2= Double Fuse (208, 240 or 480V
 only)
LL: Lamp Included⁷

Accessories ⁸
S/XL=Slipfitter Mount, Field Installed (Fits 2-3/8" OD Pipe)
VS/XL=Vandal Shield
HD/XL=Heavy-Duty Shroud
TV/XL=Top Visor
S2C2WP: Two-In-Line Crossarm for Wood Pole (EPA .9)
S3C3WPM: Three-In-Line Offset Crossarm for Wood
 Pole (EPA 3.6)
S4C4WP: Four-In-Line Crossarm for Wood Pole (EPA 4.5)
WB/XL: Wood Crossarm Bolt

- Notes:**
- 1 All lamps are mogul-base. Lamp not included. HP 1000W not available in T2 Distribution.
 - 2 Metal Halide only.
 - 3 Products also available in non-US voltages and 50HZ for international markets.
 - 4 Multi-Tap ballast 120/208/240/277V wired 277V.
 - 5 Triple-Tap ballast 120/277/347V wired 347V.
 - 6 Specify desired length in unit of feet, example, C6 for 6' cord.
 - 7 Lamp is shipped separate from luminaire. Lamp is Cooper designated product based on luminaire requirements. Specified lamps must be ordered as a separate line item.
 - 8 Order separately.

STOCK SAMPLE NUMBER: (NO REFLECTOR - BALLAST POD ONLY)

SAMPLE NUMBER: MHXL-3-1000-MT



Lamp Type
MH=Metal Halide

Series
XL=Eagle XL

Distribution ¹
3=Type III
4=Type IV
5=Type V
6=Type VI

Lamp Wattage
1000=1000W
1500=1500W

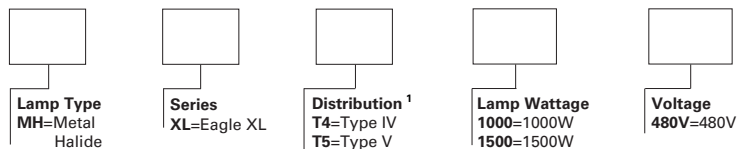
Voltage
MT=Multi-Tap

- Notes:**
- 1 Type VI available in 1000W only.

Options not available with stock products. Order Accessories as separate items for field installation. Refer to standard ordering information to add options and accessories. Refer to In-Stock Guide for availability.

STOCK SAMPLE NUMBER: (INCLUDED REFLECTOR AND DOOR)

SAMPLE NUMBER: MHXL-T4-1000-480V



Lamp Type
MH=Metal Halide

Series
XL=Eagle XL

Distribution ¹
T4=Type IV
T5=Type V

Lamp Wattage
1000=1000W
1500=1500W

Voltage
480V=480V

- Notes:**
- 1 Type IV available in 1500W only.

Options not available with stock products. Order Accessories as separate items for field installation. Refer to standard ordering information to add options and accessories. Refer to In-Stock Guide for availability.