

## INSTALLATION INSTRUCTIONS

**IMPORTANT: READ BEFORE INSTALLING FIXTURE.  
RETAIN FOR FUTURE REFERENCE.**



**SAFETY:** This fixture must be wired in accordance with the National Electrical Code and applicable local codes and ordinances. Proper grounding is required to insure personal safety. Carefully observe grounding procedure under installation section.

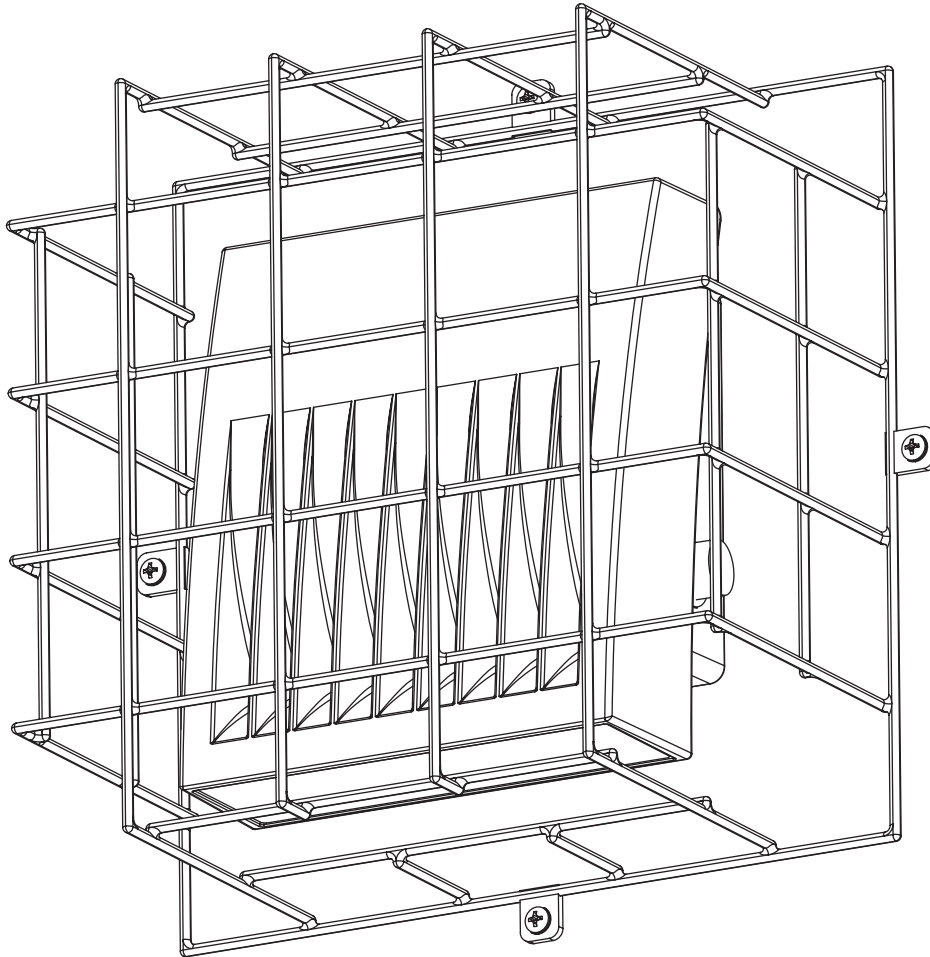
**WARNING:** Make certain power is OFF before starting installation or attempting any maintenance. Risk of fire/electric shock. If not qualified, consult an electrician.

- RISK OF ELECTRIC SHOCK—Disconnect power at fuse or circuit breaker before installing or servicing.
- RISK OF BURN—Disconnect power and allow fixture to cool before servicing.
- RISK OF PERSONAL INJURY—Fixture may become damaged and/or unstable if not installed properly.
- DO NOT mount luminaire within 6" of a combustible surface. DO NOT handle luminaire by the glass.

**WARNING:** Make certain power is OFF before starting installation or attempting any maintenance.

**TOOLS REQUIRED:** Phillips head screw driver and electrical wiring tools.

1. Install Crosstour luminaire to wall.
2. Orient wire guard over the luminaire so the open slot is aligned with the lens.
3. Use #8 fasteners (supplied by others) to attach wire guard to the mounting surface.



These instructions do not claim to cover all details or variations in the equipment, procedure, or process described, nor to provide directions for meeting every possible contingency during installation, operation or maintenance. When additional information is desired to satisfy a problem not covered sufficiently for user's purpose, please contact your nearest representative. **NOTE:** Specifications and dimensions subject to change without notice.